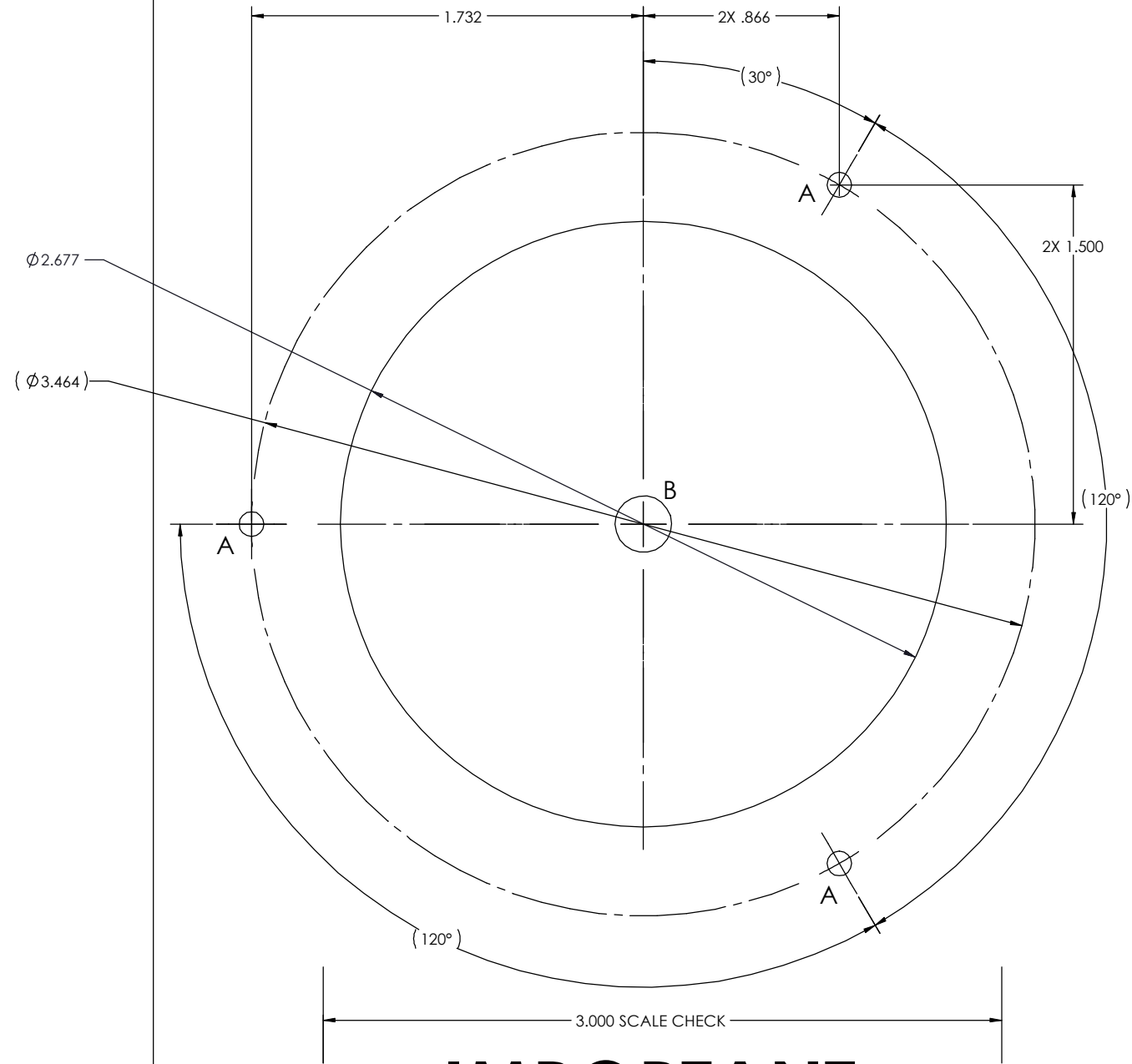


HOLE A - 3.7mm (9/64")
HOLE B - 6mm (1/4) THEN ENLARGE TO 68mm (2 11/16")

75mm (3") DRILLING TEMPLATE

FLUKE



IMPORTANT
CHECK BEHIND BEFORE DRILLING

FLUKE FLUKE CORPORATION
P.O. BOX 9090
EVERETT, WA 98206-9090

75mm (3") DRILLING TEMPLATE

TECHNICAL SUPPORT: 1-800-760-4523