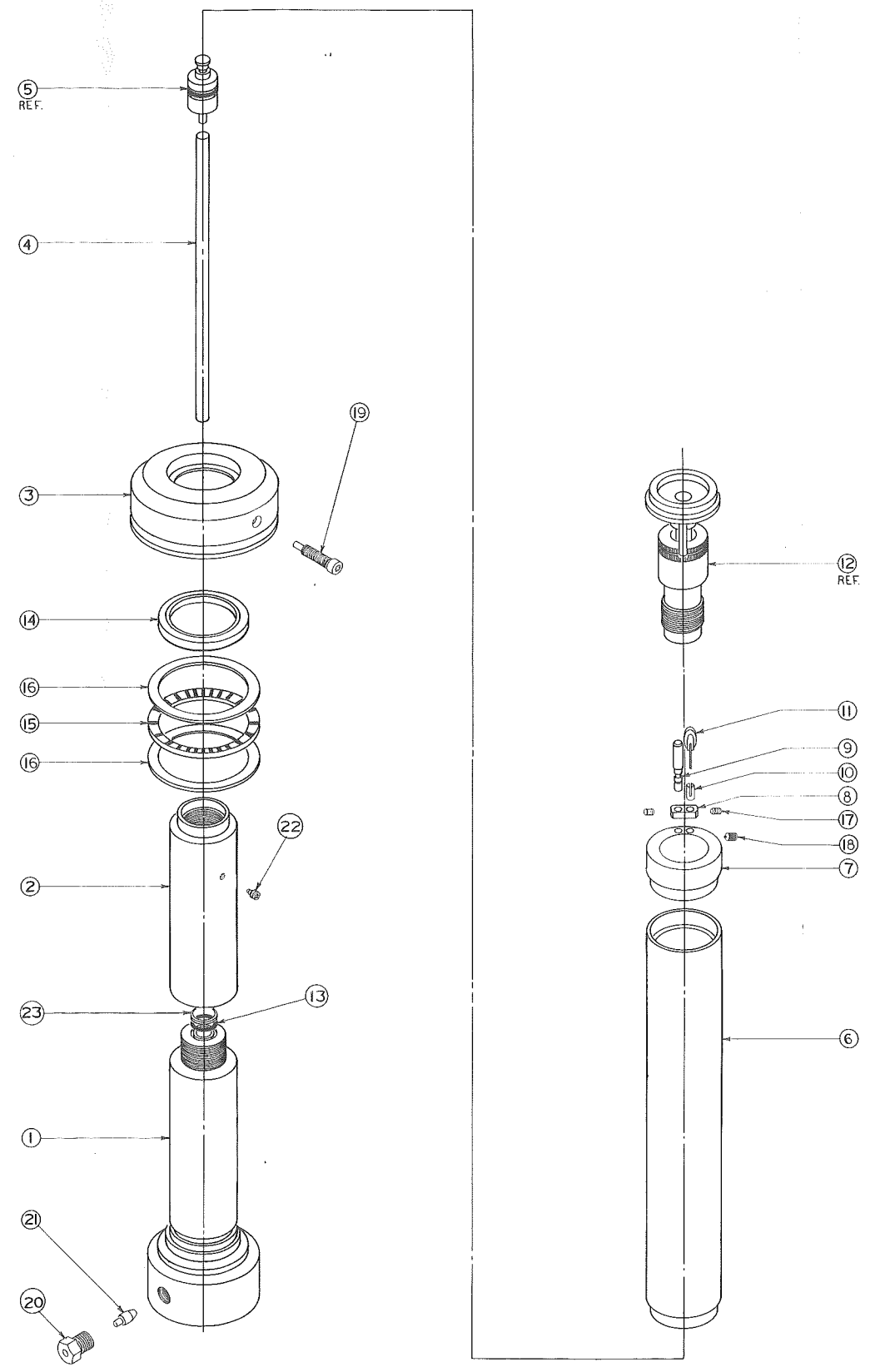
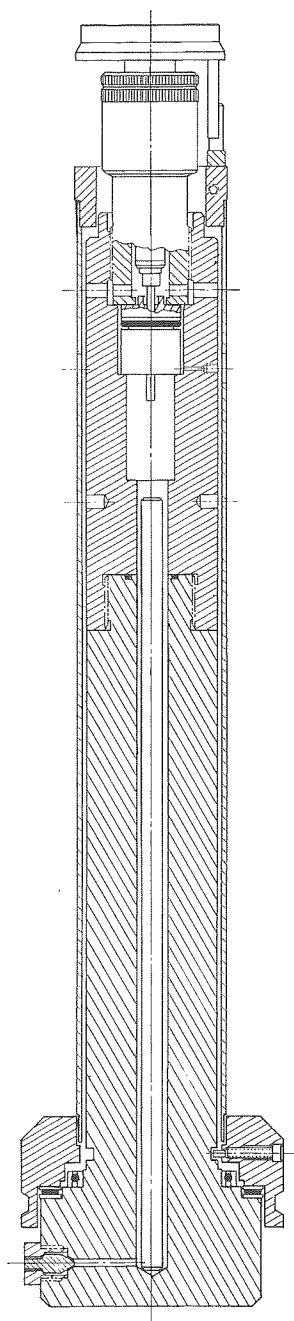


NOTICE: THIS SHEET AND ALL THE INFORMATION THEREON IS THE PROPRIETARY PROPERTY OF RUSKA INSTRUMENT CO. IT IS FORWARDED TO YOU FOR YOUR INFORMATION AND IS NOT TO BE REPRODUCED OR DISCLOSED TO ANY OTHER PERSON.

REV.	DESCRIPTION	DATE
A	RELEASED	6/3/54

H
G
F
E
D
C
B
A



NOTE:
1. ITEMS 5 & 12 ARE NOT PART OF THIS ASS'Y & ARE SHOWN FOR REF. ONLY.

ITEM	QTY	DESCRIPTION	RIC PART NR	MATERIAL
23	1	BACK-UP RING	2480-100-8	DWG. SIZE-B
22	1	BLEED SCREW	2450-100-3	10-32 x 3/8 LG.
21	1	FTG. PLUG	24-879	AP-40
20	1	FTG. GLAND	24-879	AGL-40
19	1	MKCS SCREW MODIFIED	2452-4-10	8-32 UNF x 1" LG.
18	1	BALL PLUNGER S.S.	61-735	6-40 UNF x 3/16 LG.
17	2	SET SCREW	71-124-1500	6-32 x 1/8 LG.
16	2	THRUST WASHER	5-192	0.032 THK. TRA-4860
15	1	BEARING	5-129	NTA-4860 TORR.
14	1	BEARING	5-112	S 546 FAIRBR.
13	1	O-RING	54-700-16	NAT'L. O-RING
12	1	TABUL & BUSHING ASS'Y	2451-3-700	DWG. SIZE-B
11	1	DRIVE SPRING ASS'Y	2400-911	DWG. SIZE-A
10	1	DRIVE SPRING BUSHING	2400-912-18	DWG. SIZE-A
9	1	DRIVE SPRING STOP	2480-100-5	DWG. SIZE-A
8	1	DRIVE HOLDER	2480-100-6	DWG. SIZE-B
7	1	SLEEVE BUSHING	2480-100-4	DWG. SIZE-C
6	1	SLEEVE	2481-100-3	DWG. SIZE-B
5	1	PISTON & CYLINDER ASS'Y	2450-001	DWG. SIZE-A
4	1	VOLUME PLUG	2481-100-7	DWG. SIZE-B
3	1	PULLEY	2450-4-2	DWG. SIZE-B
2	1	UPPER HOUSING	2480-100-1	DWG. SIZE-C
1	1	LOWER HOUSING	2481-100-2	DWG. SIZE-D

FOR USE WITH:
 MODEL: 6 E 3
 DATE: 7-10-54
 DRAWN BY:
 CHECKED BY:
 MATERIAL:
 INSTRUMENT CORPORATION
 RUSKA
 PRESSURE HOUSING ASSEMBLY DEAD WEIGHT GAGE
 SIZE: E
 NUMBER: 2481-100
 SCALE: 1:1
 REV. DATE:
 SHEET: 1/1