

6270A CONTROLLER – Pneumatic Diagram

Solenoid Valve naming:

- nT Slot n Test
- nR Slot n Reference
- CS Control Supply
- CE Control Exhaust
- CF Control Fine Supply
- IT Isolation Test
- IR Isolation Reference
- IS Isolation Supply
- IE Isolation Exhaust
- VT Vent Test
- VR Vent Reference



Barometer for using absolute module in gauge mode



Pressure sensor – various ranges



Solenoid valve – 3000 psi



Solenoid valve – 200 psi



Pressure relief valve

- VENT
- REF
- TEST
- EXH
- SUPPLY

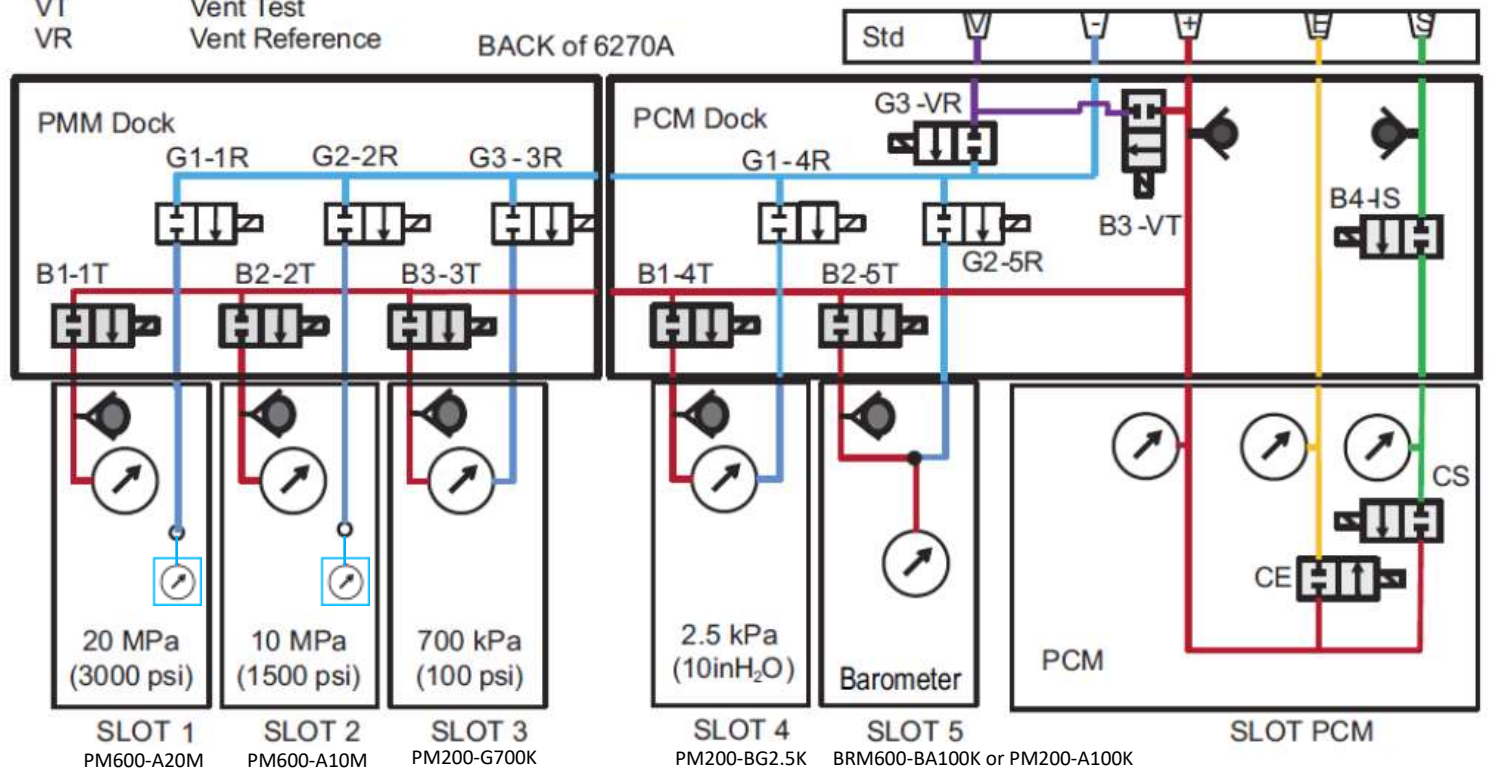


Figure 1. PCM Block Diagram

hxn306.eps

Vent Test Valve (B3-VT)

Vent Ref Valve (G3-VR)

When the system is in Vent mode, the valves are open. In other modes, such as Control and Measure, the valves are Closed. Note that the REF port is open to atm unless something is externally connected to it.