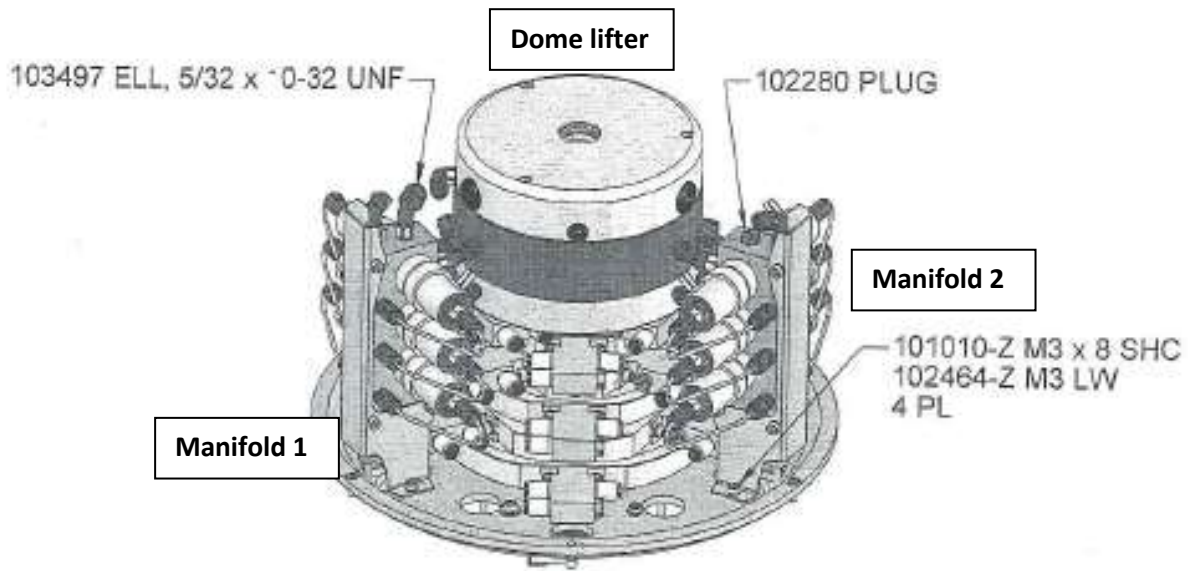
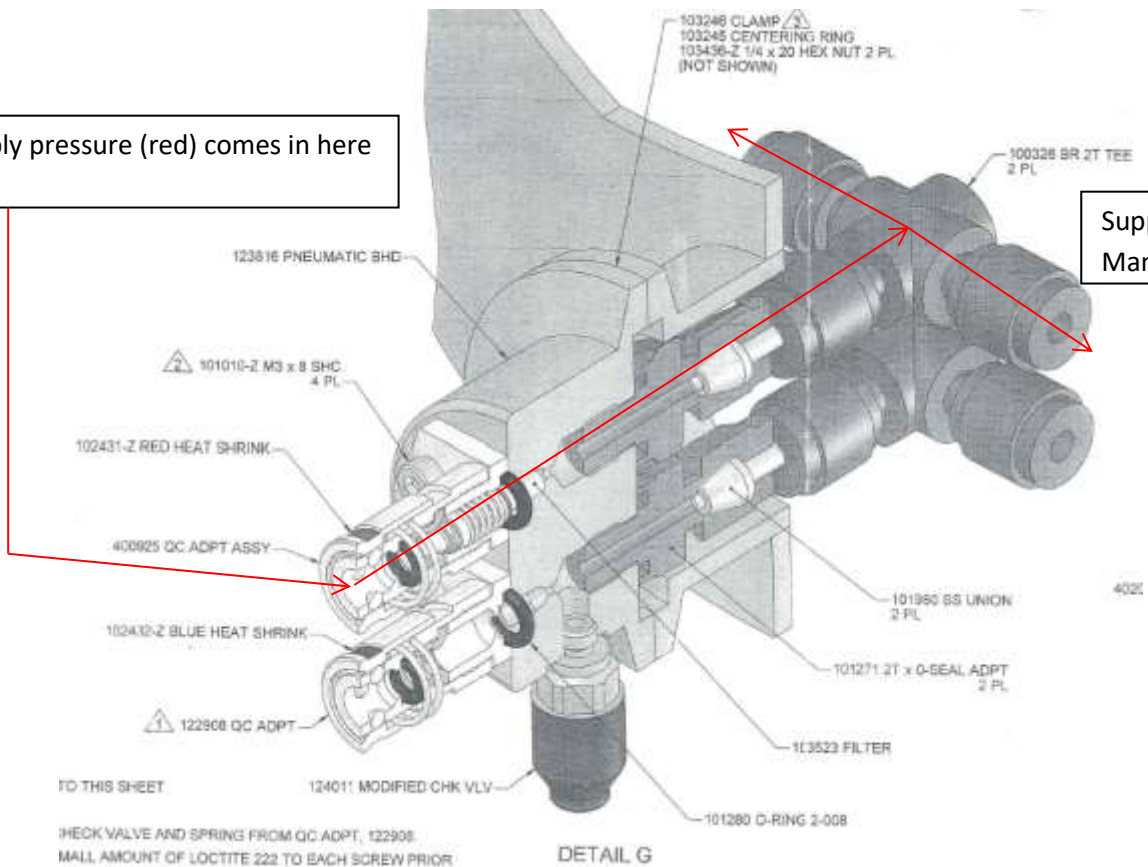


# AMH38 supply air leak troubleshooting



Supply pressure (red) comes in here

Supply pressure (red) goes to Manifold 1 and Manifold 2



# AMH38 supply air leak troubleshooting

