

PAGE 1 OF 5
DATE: 05-22-2001
REVISION:D
CFG. NO: 2970
CUSTOMER: IRCON GMBH
LOCATION: GERMANY

INFRARAIL SPECIAL NUMBER R729

PURPOSE AND DESCRIPTION:

CUSTOMER REQUIRES A INFRARAIL TEMPERATURE SYSTEM WITH A SPECIAL TEMPERATURE RANGE AND OPTICAL RESOLUTION. IN ADDITION, THE CUSTOMER ALSO REQUIRES A FAULT CONDITION INDICATOR THAT WILL WARN THE USER WHEN THE SENSOR CABLE IS DISCONNECTED.

MODEL: DNE99-99C
RANGE: 450 - 1050 DEG. C
OPTICAL RESOLUTION: D/50 WITH FIXED FOCUS AT 30"
WAVELENGTH: 1.49 - 1.6 um

GENERALITY OF APPLICATION AND RESTRICTIONS:

RESTRICTIONS: SENSING HEAD RESTRICTED TO AMBIENT TEMPERATURES OF 0° TO 150°F (-17° TO 65°C) AND AN EMISSIVITY SETTING OF 0.3 FOR THE FIRST 25°C OF THE TEMPERATURE SPAN.

UNRESTRICTED: SUITABLE FOR USE WITH ALL STANDARD OPTIONS.

WRITTEN BY:

Ami DONADO

APPROVED BY:

Ami DONADO

DATE:

5-22-2001

INFRARAIL SPECIAL NUMBER R729

PRODUCTION INSTRUCTIONS:

FOR THE ELECTRONICS MODULE, INSTALL MI MODULE AS PER BILL OF MATERIAL ON PAGE 3.

FOR THE SENSING HEAD, START WITH A MODEL DNE31-13C SENSOR AND MAKE THE FOLLOWING CHANGES:

DETECTOR ASSEMBLY (C11209) CHANGES:

1. FOR THE DETECTOR , USE DETECTOR P.N. 590942 (InGaAs) IN PLACE OF SILICON DETECTOR.
2. WIRE THE DETECTOR PER **DETAIL A** OF DRAWING C-11207.
3. FOR THE FILTER USE P.N. 64055-2 (1.49 - 1.6 um).

SENSING HEAD ASSEMBLY (C11201) CHANGES:

1. USE DETECTOR FIELD STOP P.N. 45132-3 (0.044 " I.D.) IN PLACE OF ITEM 1 P.N.451322 (.022 DIA.).

CALIBRATION INSTRUCTIONS:

PRE-CAL: DO THE COMPUTERIZED LINEARIZER TEST PER STANDARD PROCEDURE.

IscFS = 15.432 UA

IscZS = 0.0453 UA

FINAL-CAL:

!!! NOTE !!! CALIBRATION MUST MAKE THE MODIFICATIONS TO THE ELECTRONIC MODULE FOR THE SPECIAL FAULT CONDITION INDICATION OPTION INCLUDED WITH THIS INSTRUMENT. THE MODIFICATIONS MUST BE COMPLETED BEFORE FINAL CALIBRATION IS DONE. FOLLOW THE INSTRUCTIONS ON PAGE 5 ATTACHED.

CALIBRATE AS PER STANDARD.

Isc @ Tbb 800°C = 2.99 uA.

FOLLOW CALIBRATION OUTPUT TABLE ON PAGE 4 ATTACHED.

TEST THE FAULT INDICATION FEATURE BY DISCONNECTING THE INTERCONNECTING CABLE FROM THE SENSOR WHILE FOCUSED ON A BLACKBODY. WHEN THIS IS DONE, THE ELECTRONICS MODULE OUTPUT SHOULD BE 20.00 mA OR HIGHER THIS HIGH OUTPUT WITH THE SENSOR DISCONNECTED, PROVIDES THE CUSTOMER WITH A FAULT INDICATION SIGNAL TO WARN OF A DISCONNECTED SENSOR CABLE.

MANUAL INSTRUCTIONS:

GENERIC INFRARAIL SERIES MANUAL.

INFRARAIL SPECIAL NUMBER R729 CONTINUED,

BILL OF MATERIAL

MODULE M1 REFERENCE: DWG.NO.C11194

SYMBOL	PART NO.	DESCRIPTION		
R1	102103011	RESISTOR	210 Kohm	METAL FILM 1/4W 1%
R44	101872011	RESISTOR	18.7 Kohm	METAL FILM 1/4W 1%
R54	101243011	RESISTOR	124 Kohm	METAL FILM 1/4W 1%
R45	101502011	RESISTOR	15.0 Kohm	METAL FILM 1/4W 1%
R55	105902011	RESISTOR	59.0 Kohm	METAL FILM 1/4W 1%
R46	101002011	RESISTOR	10.0 Kohm	METAL FILM 1/4W 1%
R56	109532011	RESISTOR	95.3 Kohm	METAL FILM 1/4W 1%
R47	106341011	RESISTOR	6.34 Kohm	METAL FILM 1/4W 1%
R57	101583011	RESISTOR	158 Kohm	METAL FILM 1/4W 1%
R48	103831011	RESISTOR	3.83 Kohm	METAL FILM 1/4W 1%
R58	102743011	RESISTOR	274 Kohm	METAL FILM 1/4W 1%
R49	102151011	RESISTOR	2.15 Kohm	METAL FILM 1/4W 1%
R59	104873011	RESISTOR	487 Kohm	METAL FILM 1/4W 1%
R50	101211011	RESISTOR	1.21 Kohm	METAL FILM 1/4W 1%
R60	109093011	RESISTOR	909 Kohm	METAL FILM 1/4W 1%
R51	106340011	RESISTOR	634 ohm	METAL FILM 1/4W 1%
R61	101744011	RESISTOR	1.74 Mohm	METAL FILM 1/4W 1%
R52	103320011	RESISTOR	332 ohm	METAL FILM 1/4W 1%
R53	102870011	RESISTOR	287 ohm	METAL FILM 1/4W 1%
R62	103574011	RESISTOR	3.57 Mohm	METAL FILM 1/4W 1%

INFRARAIL SPECIAL NUMBER R729
TEMPERATURE RANGE: 450 TO 1050 DEGREES C
SPECTRUM: 1.49 TO 1.60 MICRONS

TEMPERATURE DEGREES C	SENSOR OUTPUT IN uAMPS	INDICATOR OUTPUT mAMPS
450.0	0.0453	4.000
475.0	0.0696	4.667
500.0	0.1040	5.333
525.0	0.1515	6.000
550.0	0.2157	6.667
575.0	0.3009	7.333
600.0	0.4117	8.000
625.0	0.5537	8.667
650.0	0.7329	9.333
675.0	0.9558	10.000
700.0	1.2297	10.667
725.0	1.5622	11.333
750.0	1.9617	12.000
775.0	2.4367	12.667
800.0	2.9964	13.333
825.0	3.6502	14.000
850.0	4.4079	14.667
875.0	5.2794	15.333
900.0	6.2750	16.000
925.0	7.4049	16.667
950.0	8.6795	17.333
975.0	10.1092	18.000
1000.0	11.7043	18.667
1025.0	13.4752	19.333
1050.0	15.4320	20.000

FAULT INDICATION MODIFICATIONS SPECIAL R729

REMOVE JUMBER JP1
ON COMPONENT SIDE

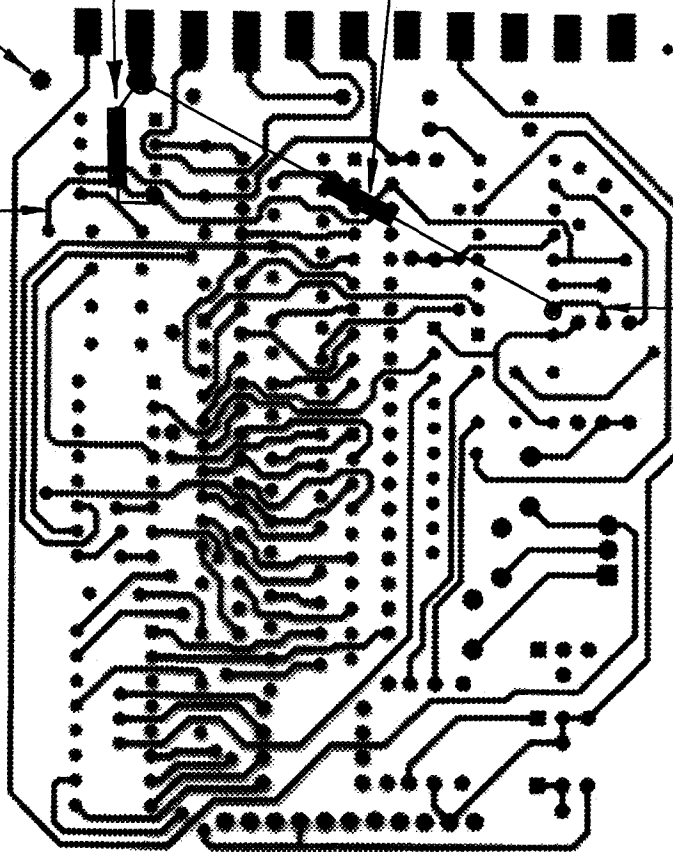
ADD RESISTOR 24.9 Kohm

ADD RESISTOR 274 Kohm

REFERENCE
FOIL

REFERENCE
FOIL

NOTE:
ADD SHRINK
TUBING TO 274K
RESISTOR AND
REMOVE LEADS
FROM BOARD
TO PREVENT
SHORTS AND
INTERFERENCE



FOIL SIDE, PCB P.N. 50249-3

Acknowledgment



IRCON, INC.
7300 N. Natchez Ave.
Niles, IL 60714 USA

Phone 847-967-5151
Toll Free 800-323-7660
Fax 847-647-0948

SOLD TO _____ CUSTOMER NO. 100426

IRCON B.V.
DATABANKWEG 6 C
3821 AL AMERSFOORT

THE NETHERLANDS

SHIPPING ADDRESS _____ TAX CODE
- NO TAX

IRCON B.V.
DATABANKWEG 6 C
3821 AL AMERSFOORT

THE NETHERLANDS

REQUEST DATE (MM-DD-YY) 02-21-03 PROMISE DATE (MM-DD-YY) 02-21-03

OUR ORDER NO. 81958 ORDER DATE (MM-DD-YY) 01-28-03

YOUR ORDER NO. 200340046

TERMS 0.00/0/180

QUOTE # _____

F.O.B. ORIGIN

CODE 1001 (100.00)

VIA MSAS

SPECIAL SHIPPING INSTRUCTIONS
REF: 224910/WK21464

DNE99-99C

LI	PART NO.	DESCRIPTION	QTY	DSCNT %	UNIT PRICE	AMOUNT
1	DN-HO#15606 <i>w.o.# 13225</i>	DN_DNE31-13C IRCON INFRARAIL IRT SENSING HEAD ONLY Consists of the following: 1.0000 - INFRARAIL HEAD ONLY 1.0000 - DN - E SERIES 1.0000 - D/100 RESOLUTION (E) 1.0000 - 800-1300C DN_DNE31-13C	1	0.00	406.89	406.89
2	MOD-CHARGES	MODIFICATION OF PRODUCT	1	0.00	92.47	92.47
					GRAND TOTAL	ECU499.36

*Redo Special No. R 729
Temp range 450-1050C
D/150 resolution
PAB/28*

THIS ORDER IS ACCEPTED SUBJECT TO TERMS AND CONDITIONS SHOWN ON THIS AND THE REVERSE SIDE

SHIP TO: IRCON, INC.
7300 N. NATCHEZ AVE.
NILES, IL 60714 USA

IF TAX EXEMPT, PLEASE PROVIDE COPY OF EXEMPTION OR DIRECT PAYMENT CERTIFICATE.

Acknowledgment



IRCON, INC.
7300 N. Natchez Ave.
Niles, IL 60714 USA

Phone 847-967-5151
Toll Free 800-323-7660
Fax 847-647-0948

SOLD TO _____ CUSTOMER NO. 100426

IRCON B.V.
DATABANKWEG 6 C
3821 AL AMERSFOORT

THE NETHERLANDS

SHIPPING ADDRESS _____ TAX CODE NO TAX

IRCON B.V.
DATABANKWEG 6 C
3821 AL AMERSFOORT

THE NETHERLANDS

REQUEST DATE (MM-DD-YY) 02-21-03 PROMISE DATE (MM-DD-YY) 02-21-03

OUR ORDER NO. 82010 ORDER DATE (MM-DD-YY) 02-05-03

YOUR ORDER NO. 200340064

TERMS 0.00/0/180

QUOTE # _____

F.O.B. ORIGIN

CODE 1001 (100.00)

VIA MSAS

SPECIAL SHIPPING INSTRUCTIONS REF: 225391/WA62342

DNE99-99C

LI	PART NO.	DESCRIPTION	QTY	DSCNT %	UNIT PRICE	AMOUNT
1	DN#15688 <i>w.o.#13275</i>	DN_DNE31-13C IRCON INFRARAIL IRT SYSTEM-COMPLETE Consists of the following: 1.0000 - INFRARAIL 1.0000 - DN - E SERIES 1.0000 - Std Cbl Lgth 4 meters. 12ft 1.0000 - D/100 RESOLUTION (E) 1.0000 - 800-1300C DN_DNE31-13C	1	0.00	739.79	739.79
2	MOD-CHARGES	MODIFICATION OF PRODUCT	1	0.00	92.47	92.47
3	DN#15689 <i>w.o.#13276</i>	DN_DNFFA-11C IRCON INFRARAIL IRT SYSTEM-COMPLETE Consists of the following: 1.0000 - INFRARAIL 1.0000 - DN - F SERIES 1.0000 - Std Cbl Lgth 4 meters. 12ft 1.0000 - D/30 10FT FIB. OPT. 1.0000 - 700 TO 1100C 1.0000 - STD FOCUS LENS DN_DNFFA-11C	1	0.00	924.74	924.74
4	MOD-CHARGES	MODIFICATION OF PRODUCT	1	0.00	92.47	92.47

*Redo Spec No R 729
Temp range 450-1050C
1/50 Resolution
+ cable break alarm*

*Redo Spec No R 200
Cable Break Alarm*

*PAB
B/5*

THIS ORDER IS ACCEPTED SUBJECT TO TERMS AND CONDITIONS SHOWN ON THIS AND THE REVERSE SIDE

GRAND TOTAL

SHIP TO: IRCON, INC.
7300 N. NATCHEZ AVE.
NILES, IL 60714 USA

IF TAX EXEMPT, PLEASE PROVIDE COPY OF EXEMPTION OR DIRECT PAYMENT CERTIFICATE.

Acknowledgment



IRCON, INC.
7300 N. Natchez Ave.
Niles, IL 60714 USA

Phone 847-967-5151
Toll Free 800-323-7660
Fax 847-647-0948

SOLD TO

CUSTOMER NO.

100426

IRCON B.V.
DATABANKWEG 6 C
3821 AL AMERSFOORT

THE NETHERLANDS

SHIPPING ADDRESS

TAX CODE

NO TAX

IRCON B.V.
DATABANKWEG 6 C
3821 AL AMERSFOORT

THE NETHERLANDS

REQUEST DATE (MM-DD-YY)

02-07-03

PROMISE DATE (MM-DD-YY)

02-07-03

OUR ORDER NO.

81957

ORDER DATE (MM-DD-YY)

01-28-03

YOUR ORDER NO.

200340045

TERMS

0.00/0/180

QUOTE #

F.O.B.

ORIGIN

CODE

1001 (100.00)

VIA

MSAS

SPECIAL SHIPPING INSTRUCTIONS

REF: 224760/WA62371

DNE99-99C

LI	PART NO.	DESCRIPTION	QTY	DSCNT %	UNIT PRICE	AMOUNT
1	DN#15605 <i>w.o. #13226</i>	DN_DNE31-13C IRCON INFRARAIL IRT SYSTEM-COMPLETE Consists of the following: 1.0000 - INFRARAIL 1.0000 - DN - E SERIES 1.0000 - Std Cbl Lgth 4 meters. 12ft 1.0000 - D/100 RESOLUTION (E) 1.0000 - 800-1300C DN_DNE31-13C	1	0.00	739.79	739.79
2	MOD-CHARGES	MODIFICATION OF PRODUCT	1	0.00	92.47	92.47
					GRAND TOTAL	ECU832.26

*Reds Special No R729
Temp range 450-1050C
D/100 res +
cable Breakdown*

*Prof
4/28*

THIS ORDER IS ACCEPTED SUBJECT TO TERMS AND CONDITIONS SHOWN ON THIS AND THE REVERSE SIDE

SHIP TO: IRCON, INC.
7300 N. NATCHEZ AVE.
NILES, IL 60714 USA

IF TAX EXEMPT, PLEASE PROVIDE COPY OF EXEMPTION OR DIRECT PAYMENT CERTIFICATE.

Acknowledgment



IRCON, INC.
7300 N. Natchez Ave.
Niles, IL 60714 USA

Phone 847-967-5151
Toll Free 800-323-7660
Fax 847-647-0948

SOLD TO _____ CUSTOMER NO. 100426

IRCON B.V.
DATABANKWEG 6 C
3821 AL AMERSFOORT

THE NETHERLANDS

SHIPPING ADDRESS _____ TAX CODE NO TAX

IRCON B.V.
DATABANKWEG 6 C
3821 AL AMERSFOORT

THE NETHERLANDS

REQUEST DATE (MM-DD-YY) 04-12-02 PROMISE DATE (MM-DD-YY) 04-12-02

OUR ORDER NO. 79937 ORDER DATE (MM-DD-YY) 03-28-02

YOUR ORDER NO. 200240180

TERMS 0.00/0/180

QUOTE # _____

F.O.B. ORIGIN

CODE 1001 (100.00)

VIA MSAS

SPECIAL SHIPPING INSTRUCTIONS REF:214159/WK19575

DNE99-99C

LI	PART NO.	DESCRIPTION	QTY	DSCNT %	UNIT PRICE	AMOUNT
1	DN#12744 <i>w.o. # 11506</i>	DN_DNE31-13C IRCON INFRARAIL IRT SYSTEM-COMLETE <i>Reals Special No R729</i> <i>Temp range 450-1050C</i> <i>D150 Rent cable break alarm</i> Consists of the following: 1.0000 - INFRARAIL 1.0000 - DN - E SERIES 1.0000 - Std Cbl Lgth 4 meters. 12ft 1.0000 - D/100 RESOLUTION (E) 1.0000 - 800-1300C	2	0.00	911.99	1823.98
2	MOD-CHARGES	DN_DNE31-13C MODIFICATION OF PRODUCT	2	0.00	114.00	228.00
GRAND TOTAL						

PA3
3/8

THIS ORDER IS ACCEPTED SUBJECT TO TERMS AND CONDITIONS SHOWN ON THIS AND THE REVERSE SIDE

SHIP TO: IRCON, INC.
7300 N. NATCHEZ AVE.
NILES, IL 60714 USA

IF TAX EXEMPT, PLEASE PROVIDE COPY OF EXEMPTION OR DIRECT PAYMENT CERTIFICATE.

Acknowledgment



IRCON, INC.
7300 N. Natchez Ave.
Niles, IL 60714 USA

Phone 847-967-5151
Toll Free 800-323-7660
Fax 847-647-0948

SOLD TO _____ CUSTOMER NO. 100426

IRCON B.V.
DATABANKWEG 6 C
3821 AL AMERSFOORT

THE NETHERLANDS

SHIPPING ADDRESS _____ TAX CODE _____

IRCON B.V.
DATABANKWEG 6 C
3821 AL AMERSFOORT

THE NETHERLANDS

REQUEST DATE (MM-DD-YY) 04-12-01 PROMISE DATE (MM-DD-YY) 04-12-01

OUR ORDER NO. 77017 ORDER DATE (MM-DD-YY) 03-23-01

YOUR ORDER NO. 200140218

TERMS 0.00/0/180

F.O.B. ORIGIN

CODE 1001 (100.00)

VIA MSAS

SPECIAL SHIPPING INSTRUCTIONS ON 36.038

DNE99-99c

LI	PART NO.	DESCRIPTION	QTY	DSCNT%	UNIT PRICE	AMOUNT
1	DN#9093 <i>w.o.# 9160</i>	DN_DNE31-13C IRCON INFRARAIL IRT SYSTEM-COMLETE <i>Rebo Special No R7/29 Temp range 450-1050C D/50 resolution cable Break alarm</i> Consists of the following: 1.0000 - INFRARAIL 1.0000 - DN - E SERIES 1.0000 - Std Cbl Lgth 4 meters. 12ft 1.0000 - D/100 RESOLUTION (E) 1.0000 - 800-1300C	1	0.00	880.00	880.00
2	MOD-CHARGES	DN_DNE31-13C MODIFICATION OF PRODUCT	1	0.00	110.00	110.00
GRAND TOTAL						

RTB 3/20

THIS ORDER IS ACCEPTED SUBJECT TO TERMS AND CONDITIONS SHOWN ON THIS AND THE REVERSE SIDE

SHIP TO: IRCON, INC.
7300 N. NATCHEZ AVE.
NILES, IL 60714 USA

IF TAX EXEMPT, PLEASE PROVIDE COPY OF EXEMPTION OR DIRECT PAYMENT CERTIFICATE.

SEE REV C

A.D. 2-16-2001

PAGE 1 OF 4
DATE: 11-12-1999
REVISION: B
CFG. NO: 2970
CUSTOMER: IRCON GMBH
LOCATION: GERMANY

INFRARAIL SPECIAL NUMBER R729

PURPOSE AND DESCRIPTION:

CUSTOMER REQUIRES A INFRARAIL TEMPERATURE SYSTEM WITH A SPECIAL TEMPERATURE RANGE AND OPTICAL RESOLUTION. IN ADDITION, THE CUSTOMER ALSO REQUIRES A FAULT CONDITION INDICATOR THAT WILL WARN THE USER WHEN THE SENSOR CABLE IS DISCONNECTED.

MODEL: DNE99-99C
RANGE: 450 - 1050 DEG. C
OPTICAL RESOLUTION: D/50 WITH FIXED FOCUS AT 30"
WAVELENGTH: 1.49 - 1.6 um

GENERALITY OF APPLICATION AND RESTRICTIONS:

RESTRICTIONS: SENSING HEAD RESTRICTED TO AMBIENT TEMPERATURES OF 0° TO 150°F (-17° TO 65°C) AND AN EMISSIVITY SETTING OF 0.3 FOR THE FIRST 25°C OF THE TEMPERATURE SPAN.

UNRESTRICTED: SUITABLE FOR USE WITH ALL STANDARD OPTIONS.

WRITTEN BY: J. Sch

APPROVED BY: J. Sch DATE: 11-12-99

INFRARAIL SPECIAL NUMBER R729

REVISION:B
DATE: 11-12-1999

PRODUCTION INSTRUCTIONS:

FOR THE ELECTRONICS MODULE, INSTALL M1 MODULE AS PER BILL OF MATERIAL ON PAGE 3.

WHEN ASSEMBLY IS COMPLETED, DELIVER THE ELECTRONICS MODULE TO ENGINEERING FOR ADDITIONAL MODIFICATIONS.

FOR THE SENSING HEAD, START WITH A MODEL DNE31-13C SENSOR AND MAKE THE FOLLOWING CHANGES:

DETECTOR ASSEMBLY (C11209) CHANGES:

1. FOR THE DETECTOR , USE DETECTOR P.N. 590792 (InGaAs) IN PLACE OF SILICON DETECTOR.
2. WIRE THE DETECTOR PER **DETAIL A** OF DRAWING C-11207.
3. FOR THE FILTER USE P.N. 64055-2 (1.49 - 1.6 um).

FOR THE SENSING HEAD FINAL ASSEMBLY (C11201) , USE DETECTOR FIELD STOP P.N. 45132-3 (0.044 " I.D.) IN PLACE OF ITEM 1 P.N.451322 (.022 DIA.).

CALIBRATION INSTRUCTIONS:

CALIBRATE AS PER STANDARD.

$I_{sc} @ T_{bb} 800^{\circ}C = 2.99 \mu A.$

TEST THE FAULT INDICATION FEATURE BY DISCONNECTING THE INTERCONNECTING CABLE FROM THE SENSOR WHILE FOCUSED ON A BLACKBODY. WHEN THIS IS DONE, THE ELECTRONICS MODULE OUTPUT SHOULD BE 20.00 mA. THIS HIGH OUTPUT WITH THE SENSOR DISCONNECTED, PROVIDES THE CUSTOMER WITH A FAULT INDICATION SIGNAL TO WARN OF A DISCONNECTED SENSOR CABLE.

ENGINEERING INSTRUCTIONS:

MODIFY THE ELECTRONICS MODULE PER AMMENDED DRAWING C-20211

MANUAL INSTRUCTIONS:

GENERIC INFRARAIL SERIES MANUAL.

INFRARAIL SPECIAL NUMBER R729 CONTINUED,

BILL OF MATERIAL

MODULE M1 REFERENCE: DWG.NO.C11194

SYMBOL	PART NO.	DESCRIPTION			
R1	102103011	RESISTOR	210 Kohm	METAL FILM 1/4W 1%	
R44	101872011	RESISTOR	18.7 Kohm	METAL FILM 1/4W 1%	
R54	101243011	RESISTOR	124 Kohm	METAL FILM 1/4W 1%	
R45	101502011	RESISTOR	15.0 Kohm	METAL FILM 1/4W 1%	
R55	105902011	RESISTOR	59.0 Kohm	METAL FILM 1/4W 1%	
R46	101002011	RESISTOR	10.0 Kohm	METAL FILM 1/4W 1%	
R56	109532011	RESISTOR	95.3 Kohm	METAL FILM 1/4W 1%	
R47	106341011	RESISTOR	6.34 Kohm	METAL FILM 1/4W 1%	
R57	101583011	RESISTOR	158 Kohm	METAL FILM 1/4W 1%	
R48	103831011	RESISTOR	3.83 Kohm	METAL FILM 1/4W 1%	
R58	102743011	RESISTOR	274 Kohm	METAL FILM 1/4W 1%	
R49	102151011	RESISTOR	2.15 Kohm	METAL FILM 1/4W 1%	
R59	104873011	RESISTOR	487 Kohm	METAL FILM 1/4W 1%	
R50	101211011	RESISTOR	1.21 Kohm	METAL FILM 1/4W 1%	
R60	109093011	RESISTOR	909 Kohm	METAL FILM 1/4W 1%	
R51	106340011	RESISTOR	634 ohm	METAL FILM 1/4W 1%	
R61	101744011	RESISTOR	1.74 Mohm	METAL FILM 1/4W 1%	
R52	103320011	RESISTOR	332 ohm	METAL FILM 1/4W 1%	
R53	102870011	RESISTOR	287 ohm	METAL FILM 1/4W 1%	
R62	103574011	RESISTOR	3.57 Mohm	METAL FILM 1/4W 1%	

INFRARAIL SPECIAL NUMBER R729
TEMPERATURE RANGE: 450 TO 1050 DEGREES C
SPECTRUM: 1.49 TO 1.60 MICRONS

TEMPERATURE DEGREES C	SENSOR OUTPUT IN uAMPS	INDICATOR OUTPUT mAMPS
450.0	0.0453	4.000
475.0	0.0696	4.667
500.0	0.1040	5.333
525.0	0.1515	6.000
550.0	0.2157	6.667
575.0	0.3009	7.333
600.0	0.4117	8.000
625.0	0.5537	8.667
650.0	0.7329	9.333
675.0	0.9558	10.000
700.0	1.2297	10.667
725.0	1.5622	11.333
750.0	1.9617	12.000
775.0	2.4367	12.667
800.0	2.9964	13.333
825.0	3.6502	14.000
850.0	4.4079	14.667
875.0	5.2794	15.333
900.0	6.2750	16.000
925.0	7.4049	16.667
950.0	8.6795	17.333
975.0	10.1092	18.000
1000.0	11.7043	18.667
1025.0	13.4752	19.333
1050.0	15.4320	20.000

See Rev. B

PAGE 1 OF 4
DATE: 11-08-1999
REVISION: A
CFG. NO: 2970
CUSTOMER: IRCON GMBH
LOCATION: GERMANY

INFRARAIL SPECIAL NUMBER R729

PURPOSE AND DESCRIPTION:

CUSTOMER REQUIRES A INFRARAIL TEMPERATURE SYSTEM WITH A SPECIAL TEMPERATURE RANGE AND OPTICAL RESOLUTION AS FOLLOWS :

MODEL: DNE99-99C
RANGE: 450 - 1050 DEG. C
OPTICAL RESOLUTION: D/50 WITH FIXED FOCUS AT 30"
WAVELENGTH: 1.49 - 1.6 um

GENERILITY OF APPLICATION AND RESTRICTIONS:

RESTRICTIONS: SENSING HEAD RESTRICTED TO AMBIENT TEMPERATURES OF 0° TO 150°F (-17° TO 65°C) AND AN EMISSIVITY SETTING OF 0.3 FOR THE FIRST 25°C OF THE TEMPERATURE SPAN.

UNRESTRICTED: SUITABLE FOR USE WITH ALL STANDARD OPTIONS.

WRITTEN BY: _____

APPROVED BY: _____

DATE: _____

11-8-99

INFRARAIL SPECIAL NUMBER R729

REVISION:A
DATE: 11-08-1999

PRODUCTION INSTRUCTIONS:

FOR THE ELECTRONICS MODULE, INSTALL M1 MODULE AS PER BILL OF MATERIAL ON PAGE 3.

FOR THE SENSING HEAD, START WITH A MODEL DNE31-13C SENSOR AND MAKE THE FOLLOWING CHANGES:

DETECTOR ASSEMBLY (C11209) CHANGES:

1. FOR THE DETECTOR , USE DETECTOR P.N. 590792 (InGaAs) IN PLACE OF SILICON DETECTOR.
2. WIRE THE DETECTOR PER **DETAIL A** OF DRAWING C-11207.
3. FOR THE FILTER USE P.N. 64055-2 (1.49 - 1.6 um).

FOR THE SENSING HEAD FINAL ASSEMBLY (C11201) , USE DETECTOR FIELD STOP P.N. 45132-3 (0.044 " I.D.) IN PLACE OF ITEM 1 P.N.451322 (.022 DIA.).

CALIBRATION INSTRUCTIONS:

CALIBRATE AS PER STANDARD.

Isc @ Tbb 800°C = 2.99 uA.

MANUAL INSTRUCTIONS:

GENERIC INFRARAIL SERIES MANUAL.

INFRARAIL SPECIAL NUMBER R729 CONTINUED,

BILL OF MATERIAL

MODULE M1 REFERENCE: DWG.NO.C11194

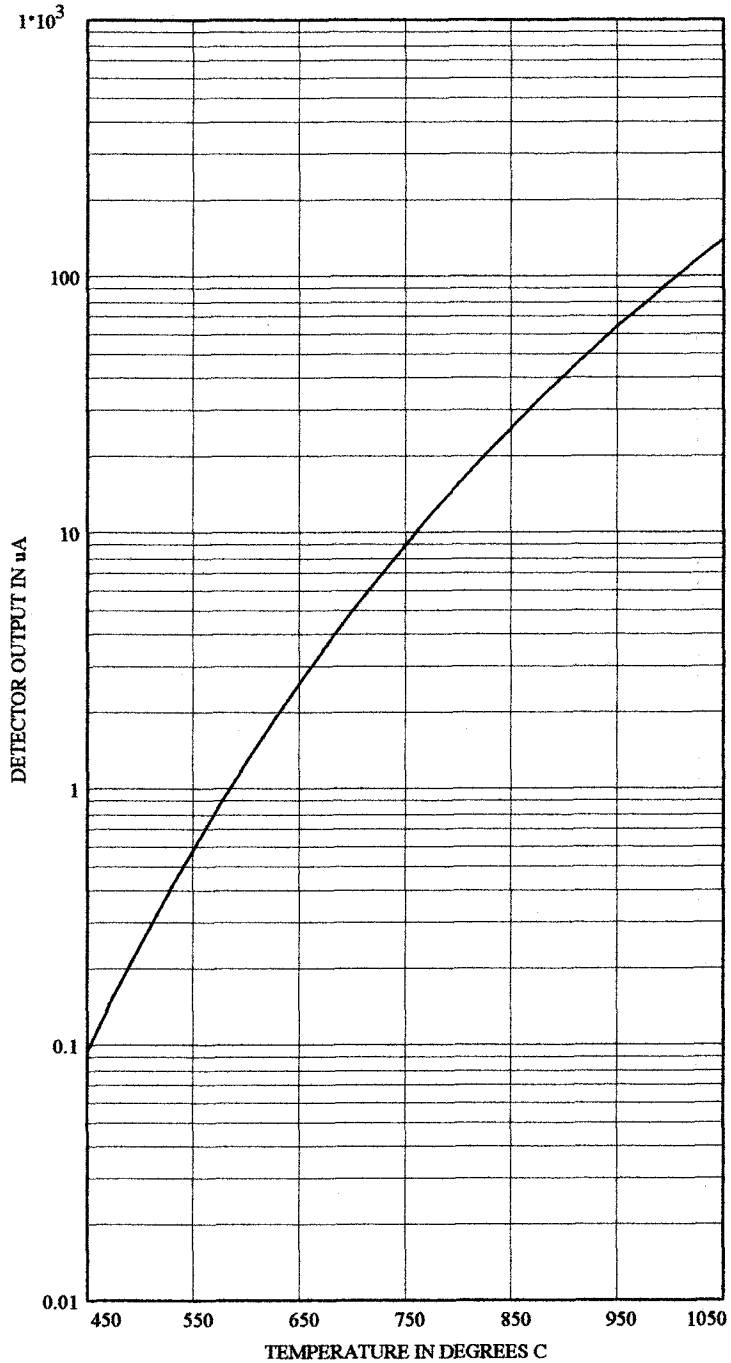
SYMBOL	PART NO.	DESCRIPTION			
R1	102103011	RESISTOR	210 Kohm	METAL FILM	1/4W 1%
R44	101872011	RESISTOR	18.7 Kohm	METAL FILM	1/4W 1%
R54	101243011	RESISTOR	124 Kohm	METAL FILM	1/4W 1%
R45	101502011	RESISTOR	15.0 Kohm	METAL FILM	1/4W 1%
R55	105902011	RESISTOR	59.0 Kohm	METAL FILM	1/4W 1%
R46	101002011	RESISTOR	10.0 Kohm	METAL FILM	1/4W 1%
R56	109532011	RESISTOR	95.3 Kohm	METAL FILM	1/4W 1%
R47	106341011	RESISTOR	6.34 Kohm	METAL FILM	1/4W 1%
R57	101583011	RESISTOR	158 Kohm	METAL FILM	1/4W 1%
R48	103831011	RESISTOR	3.83 Kohm	METAL FILM	1/4W 1%
R58	102743011	RESISTOR	274 Kohm	METAL FILM	1/4W 1%
R49	102151011	RESISTOR	2.15 Kohm	METAL FILM	1/4W 1%
R59	104873011	RESISTOR	487 Kohm	METAL FILM	1/4W 1%
R50	101211011	RESISTOR	1.21 Kohm	METAL FILM	1/4W 1%
R60	109093011	RESISTOR	909 Kohm	METAL FILM	1/4W 1%
R51	106340011	RESISTOR	634 ohm	METAL FILM	1/4W 1%
R61	101744011	RESISTOR	1.74 Mohm	METAL FILM	1/4W 1%
R52	103320011	RESISTOR	332 ohm	METAL FILM	1/4W 1%
R53	102870011	RESISTOR	287 ohm	METAL FILM	1/4W 1%
R62	103574011	RESISTOR	3.57 Mohm	METAL FILM	1/4W 1%

INFRARAIL SPECIAL NUMBER R729
TEMPERATURE RANGE: 450 TO 1050 DEGREES C
SPECTRUM: 1.49 TO 1.60 MICRONS

TEMPERATURE DEGREES C	SENSOR OUTPUT IN uAMPS	INDICATOR OUTPUT mAMPS
450.0	0.0453	4.000
475.0	0.0696	4.667
500.0	0.1040	5.333
525.0	0.1515	6.000
550.0	0.2157	6.667
575.0	0.3009	7.333
600.0	0.4117	8.000
625.0	0.5537	8.667
650.0	0.7329	9.333
675.0	0.9558	10.000
700.0	1.2297	10.667
725.0	1.5622	11.333
750.0	1.9617	12.000
775.0	2.4367	12.667
800.0	2.9964	13.333
825.0	3.6502	14.000
850.0	4.4079	14.667
875.0	5.2794	15.333
900.0	6.2750	16.000
925.0	7.4049	16.667
950.0	8.6795	17.333
975.0	10.1092	18.000
1000.0	11.7043	18.667
1025.0	13.4752	19.333
1050.0	15.4320	20.000

Temp
 DEG. C SENSOR
 CURRENT Indicator current
 IN uA 4 - 20 mADC

TC	Isc(TC)	Iout(TC)
1050	15.432	20.000
1025	13.477	19.333
1000	11.708	18.667
975	10.114	18.000
950	8.685	17.333
925	7.411	16.667
900	6.281	16.000
875	5.285	15.333
850	4.413	14.667
825	3.655	14.000
800	3.001	13.333
775	2.440	12.667
750	1.965	12.000
725	1.565	11.333
700	1.232	10.667
675	0.958	10.000
650	0.734	9.333
625	0.555	8.667
600	0.413	8.000
575	0.302	7.333
550	0.216	6.667
525	0.152	6.000
500	0.104	5.333
475	0.070	4.667
450	0.045	4.000



Acknowledgment



IRCON, INC.
7300 N. Natchez Ave.
Niles, IL 60714 USA

Phone 847-967-5151
Toll Free 800-323-7660
Fax 847-647-0948

SOLD TO _____ CUSTOMER NO. 008241

IRCON GMBH
POSTFACH 1361, D-65221
GRILLPARZERS
TAUNUSSTEIN,
GERMANY

SHIPPING ADDRESS _____ TAX CODE _____

INTROPA
SPEDITIONSGESELLSCHAFT GM
FRANKFURT AIRPORT
ZUR VERGUEGUNG IRCONGMBH
FRANKFURT,
GERMANY

REQUEST DATE (MM-DD-YY) 01-15-00 PROMISE DATE (MM-DD-YY) 01-15-00

OUR ORDER NO. 72173 ORDER DATE (MM-DD-YY) 11-04-99

YOUR ORDER NO. D-6893

TERMS 0.00/0/60

F.O.B. ORIGIN

CODE 1057 (100.00)

VIA MSAS

SPECIAL SHIPPING INSTRUCTIONS _____

DNE99-99C

LI	PART NO.	DESCRIPTION	QTY	DSCNT%	UNIT PRICE	AMOUNT
1	DN#2970 <i>w.o. 3379</i>	DN_DNE31-13C IRCON INFRARAIL IRT SYSTEM-COMPLETE <i>New Special Temp range of 450 - 1050 C, D/50 Std lens 30 inch focus with INGAAS Detector</i> Consists of the following: 1.0000 - INFRARAIL 1.0000 - DN - E SERIES 1.0000 - Std Cbl Lgth 4 meters. 12ft 1.0000 - D/100 RESOLUTION (E) 1.0000 - 800-1300C <i>PAB 11/5/99</i>	5	0.00	1488.00	7440.00
2	MOD-CHARGES	DN_DNE31-13C MODIFICATION OF PRODUCT	1	0.00	837.00	837.00
					GRAND TOTAL	

THIS ORDER IS ACCEPTED SUBJECT TO TERMS AND CONDITIONS SHOWN ON THIS AND THE REVERSE SIDE

SHIP TO: IRCON, INC.
7300 N. NATCHEZ AVE.
NILES, IL 60714 USA

IF TAX EXEMPT, PLEASE PROVIDE COPY OF EXEMPTION OR DIRECT PAYMENT CERTIFICATE.

Acknowledgment



IRCON, INC.
7300 N. Natchez Ave.
Niles, IL 60714 USA

Phone 847-967-5151
Toll Free 800-323-7660
Fax 847-647-0948

SOLD TO _____ CUSTOMER NO. 008241

IRCON GMBH
POSTFACH 1361, D-65221
GRILLPARZERS
TAUNUSSTEIN,
GERMANY

SHIPPING ADDRESS _____ TAX CODE _____

INTROPA
SPEDITIONSGESELLSCHAFT GM
FRANKFURT AIRPORT
ZUR VERGUEGUNG IRCONGMBH
FRANKFURT,
GERMANY

REQUEST DATE (MM-DD-YY) 01-15-00 PROMISE DATE (MM-DD-YY) 01-15-00

OUR ORDER NO. 72173 ORDER DATE (MM-DD-YY) 11-04-99

YOUR ORDER NO. D-6893

TERMS 0.00/0/60

F.O.B. ORIGIN

CODE 1057 (100.00)

VIA MSAS

SPECIAL SHIPPING INSTRUCTIONS _____

DNE99-99C

LI	PART NO.	DESCRIPTION	QTY	DSCNT%	UNIT PRICE	AMOUNT
1	DN#2970 <i>w.o. 3379 OK - JRC 11-11-99</i>	DN_DNE31-13C IRCON INFRARAIL IRT SYSTEM-COMPLETE <i>New Special Temp range of 450 - 1050 C, D/50 Std lens 30 inch focus with INGAAS detector</i> Consists of the following: 1.0000 - INFRARAIL 1.0000 - DN - E SERIES 1.0000 - Std Cbl Lgth 4 meters. 12ft 1.0000 - D/100 RESOLUTION (E) 1.0000 - 800-1300C	5	0.00	1488.00	7440.00
2	MOD-CHARGES	DN_DNE31-13C MODIFICATION OF PRODUCT <i>with cable break detector</i>	1	0.00	837.00	837.00
GRAND TOTAL						

THIS ORDER IS ACCEPTED SUBJECT TO TERMS AND CONDITIONS SHOWN ON THIS AND THE REVERSE SIDE

SHIP TO: IRCON, INC.
7300 N. NATCHEZ AVE.
NILES, IL 60714 USA

IF TAX EXEMPT, PLEASE PROVIDE COPY OF EXEMPTION OR DIRECT PAYMENT CERTIFICATE.

SEE REV. D

A.D. 5-22-2001

PAGE 1 OF 5
DATE: 02-16-2001
REVISION: C
CFG. NO: 2970
CUSTOMER: IRCON GMBH
LOCATION: GERMANY

INFRARAIL SPECIAL NUMBER R729

PURPOSE AND DESCRIPTION:

CUSTOMER REQUIRES A INFRARAIL TEMPERATURE SYSTEM WITH A SPECIAL TEMPERATURE RANGE AND OPTICAL RESOLUTION. IN ADDITION, THE CUSTOMER ALSO REQUIRES A FAULT CONDITION INDICATOR THAT WILL WARN THE USER WHEN THE SENSOR CABLE IS DISCONNECTED.

MODEL: DNE99-99C
RANGE: 450 - 1050 DEG. C
OPTICAL RESOLUTION: D/50 WITH FIXED FOCUS AT 30"
WAVELENGTH: 1.49 - 1.6 um

GENERILITY OF APPLICATION AND RESTRICTIONS:

RESTRICTIONS: SENSING HEAD RESTRICTED TO AMBIENT TEMPERATURES OF 0° TO 150°F (-17° TO 65°C) AND AN EMISSIVITY SETTING OF 0.3 FOR THE FIRST 25°C OF THE TEMPERATURE SPAN.

UNRESTRICTED: SUITABLE FOR USE WITH ALL STANDARD OPTIONS.

WRITTEN BY: A. DONADO

APPROVED BY: A. DONADO DATE: 02-16-2001

INFRARAIL SPECIAL NUMBER R729

PRODUCTION INSTRUCTIONS:

FOR THE ELECTRONICS MODULE, INSTALL M1 MODULE AS PER BILL OF MATERIAL ON PAGE 3.

FOR THE SENSING HEAD, START WITH A MODEL DNE31-13C SENSOR AND MAKE THE FOLLOWING CHANGES:

DETECTOR ASSEMBLY (C11209) CHANGES:

1. FOR THE DETECTOR , USE DETECTOR P.N. 590792 (InGaAs) IN PLACE OF SILICON DETECTOR.
2. WIRE THE DETECTOR PER **DETAIL A** OF DRAWING C-11207.
3. FOR THE FILTER USE P.N. 64055-2 (1.49 - 1.6 um).

FOR THE SENSING HEAD FINAL ASSEMBLY (C11201) , USE DETECTOR FIELD STOP P.N. 45132-3 (0.044 " I.D.) IN PLACE OF ITEM 1 P.N.451322 (.022 DIA.).

CALIBRATION INSTRUCTIONS:

PRE-CAL: DO THE COMPUTERIZED LINEARIZER TEST PER STANDARD PROCEDURE.

FINAL-CAL:

!!! NOTE !!! CALIBRATION MUST MAKE THE MODIFICATIONS TO THE ELECTRONIC MODULE FOR THE SPECIAL FAULT CONDITION INDICATION OPTION INCLUDED WITH THIS INSTRUMENT. THE MODIFICATIONS MUST BE COMPLETED BEFORE FINAL CALIBRATION IS DONE. FOLLOW THE INSTRUCTIONS ON PAGE 5 ATTACHED.

CALIBRATE AS PER STANDARD.

$I_{sc} @ T_{bb} 800^{\circ}C = 2.99 \mu A.$

FOLLOW CALIBRATION OUTPUT TABLE ON PAGE 4 ATTACHED.

TEST THE FAULT INDICATION FEATURE BY DISCONNECTING THE INTERCONNECTING CABLE FROM THE SENSOR WHILE FOCUSED ON A BLACKBODY. WHEN THIS IS DONE, THE ELECTRONICS MODULE OUTPUT SHOULD BE 20.00 mA OR HIGHER THIS HIGH OUTPUT WITH THE SENSOR DISCONNECTED, PROVIDES THE CUSTOMER WITH A FAULT INDICATION SIGNAL TO WARN OF A DISCONNECTED SENSOR CABLE.

MANUAL INSTRUCTIONS:

GENERIC INFRARAIL SERIES MANUAL.

INFRARAIL SPECIAL NUMBER R729
TEMPERATURE RANGE: 450 TO 1050 DEGREES C
SPECTRUM: 1.49 TO 1.60 MICRONS

TEMPERATURE DEGREES C	SENSOR OUTPUT IN uAMPS	INDICATOR OUTPUT mAMPS
450.0	0.0453	4.000
475.0	0.0696	4.667
500.0	0.1040	5.333
525.0	0.1515	6.000
550.0	0.2157	6.667
575.0	0.3009	7.333
600.0	0.4117	8.000
625.0	0.5537	8.667
650.0	0.7329	9.333
675.0	0.9558	10.000
700.0	1.2297	10.667
725.0	1.5622	11.333
750.0	1.9617	12.000
775.0	2.4367	12.667
800.0	2.9964	13.333
825.0	3.6502	14.000
850.0	4.4079	14.667
875.0	5.2794	15.333
900.0	6.2750	16.000
925.0	7.4049	16.667
950.0	8.6795	17.333
975.0	10.1092	18.000
1000.0	11.7043	18.667
1025.0	13.4752	19.333
1050.0	15.4320	20.000

Acknowledgment



IRCON, INC.
7300 N. Natchez Ave.
Niles, IL 60714 USA

Phone 847-967-5151
Toll Free 800-323-7660
Fax 847-647-0948

SOLD TO _____ CUSTOMER NO. 100426

IRCON B.V.
DATABANKWEG 6 C
3821 AL AMERSFOORT

THE NETHERLANDS

SHIPPING ADDRESS _____ TAX CODE _____

IRCON B.V.
DATABANKWEG 6 C
3821 AL AMERSFOORT

THE NETHERLANDS

REQUEST DATE (MM-DD-YY) 09-29-00 PROMISE DATE (MM-DD-YY) 09-29-00

OUR ORDER NO. 75204 ORDER DATE (MM-DD-YY) 09-12-00

YOUR ORDER NO. 200040597

TERMS 0.00/0/180

F.O.B. ORIGIN

CODE 1001 (100.00)

VIA MSAS

SPECIAL SHIPPING INSTRUCTIONS REF: 192250/WA62021

DNE 99-99C

LI	PART NO.	DESCRIPTION	QTY	DSCNT%	UNIT PRICE	AMOUNT
1	DN-HO#6800 <i>W.O.#7576</i>	DN_DNE31-13C IRCON INFRARAIL IRT SENSING HEAD ONLY Consists of the following: 1.0000 - INFRARAIL HEAD ONLY 1.0000 - DN - E SERIES 1.0000 - D/100 RESOLUTION (E) 1.0000 - 800-1300C DN_DNE31-13C	4	0.00	492.80	1971.20
2	MOD-CHARGES	MODIFICATION OF PRODUCT	4	0.00	112.00	448.00
3	DN-C#6801	CBDNEPVC I INFRARAIL CABLE ONLY Consists of the following: 1.0000 - DN CB/CABLE ASSY'S 1.0000 - E SERIES CABLE/ASSY	4	0.00	0.00	0.00
GRAND TOTAL						

*Reel Special No R729
Temp 450-1050C*

RAH 9/02

THIS ORDER IS ACCEPTED SUBJECT TO TERMS AND CONDITIONS SHOWN ON THIS AND THE REVERSE SIDE

SHIP TO: IRCON, INC.
7300 N. NATCHEZ AVE.
NILES, IL 60714 USA

IF TAX EXEMPT, PLEASE PROVIDE COPY OF
EXEMPTION OR DIRECT PAYMENT CERTIFICATE.

Acknowledgment



IRCON, INC.
7300 N. Natchez Ave.
Niles, IL 60714 USA

Phone 847-967-5151
Toll Free 800-323-7660
Fax 847-647-0948

SOLD TO _____ CUSTOMER NO. 100426

IRCON B.V.
DATABANKWEG 6 C
3821 AL AMERSFOORT

THE NETHERLANDS

SHIPPING ADDRESS _____ TAX CODE _____

IRCON B.V.
DATABANKWEG 6 C
3821 AL AMERSFOORT

THE NETHERLANDS

REQUEST DATE (MM-DD-YY) 12-22-00 PROMISE DATE (MM-DD-YY) 12-22-00

OUR ORDER NO. 75490 ORDER DATE (MM-DD-YY) 10-11-00

YOUR ORDER NO. 200040670

TERMS 0.00/0/180

F.O.B. ORIGIN

CODE 1001 (100.00)

VIA MSAS

SPECIAL SHIPPING INSTRUCTIONS
REF: 193410/WA62031/SCHT

DNE19-99c

LI	PART NO.	DESCRIPTION	QTY	DSCNT%	UNIT PRICE	AMOUNT
1	DN-NC#7358 <i>W.O.# 7925</i>	DN_DNE31-13C IRCON INFRARAIL IRT SYSTEM-COMPLETE W/O CABLE Consists of the following: 1.0000 - INFRARAIL 1.0000 - DN - E SERIES 1.0000 - D/100 RESOLUTION (E) 1.0000 - 800-1300C DN_DNE31-13C	5	0.00	904.00	4520.00
2	MOD-CHARGES	MODIFICATION OF PRODUCT	5	0.00	113.00	565.00
3	DN-C#7220	CBDNEPVC I INFRARAIL CABLE ONLY Consists of the following: 1.0000 - DN CB/CABLE ASSY'S 1.0000 - E SERIES CABLE/ASSY	5	0.00	0.00	0.00
GRAND TOTAL						

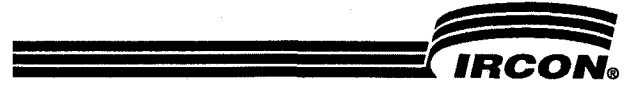
*Redo spec No R729
Temp range 450-1050C
Cable break alarm
12/10/23*

THIS ORDER IS ACCEPTED SUBJECT TO TERMS AND CONDITIONS SHOWN ON THIS AND THE REVERSE SIDE

SHIP TO: IRCON, INC.
7300 N. NATCHEZ AVE.
NILES, IL 60714 USA

IF TAX EXEMPT, PLEASE PROVIDE COPY OF EXEMPTION OR DIRECT PAYMENT CERTIFICATE.

Acknowledgment



IRCON, INC.
7300 N. Natchez Ave.
Niles, IL 60714 USA

Phone 847-967-5151
Toll Free 800-323-7660
Fax 847-647-0948

SOLD TO _____ CUSTOMER NO. 100426

IRCON B.V.
DATABANKWEG 6 C
3821 AL AMERSFOORT

THE NETHERLANDS

SHIPPING ADDRESS _____ TAX CODE _____

IRCON B.V.
DATABANKWEG 6 C
3821 AL AMERSFOORT

THE NETHERLANDS

REQUEST DATE (MM-DD-YY) 01-05-01 PROMISE DATE (MM-DD-YY) 01-05-01

OUR ORDER NO. 75760 ORDER DATE (MM-DD-YY) 11-09-00

YOUR ORDER NO. 200040735

TERMS 0.00/0/180

F.O.B. ORIGIN

CODE 1001 (100.00)

VIA MSAS

SPECIAL SHIPPING INSTRUCTIONS
REF: 194576/WA62071

DNE99-99C

LI	PART NO.	DESCRIPTION	QTY	DSCNT%	UNIT PRICE	AMOUNT
1	DN#7573 <i>w.o.#8151</i>	DN_DNE31-13C IRCON INFRARAIL IRT SYSTEM-COMPLETE Consists of the following: 1.0000 - INFRARAIL 1.0000 - DN - E SERIES 1.0000 - Std Cbl Lgth 4 meters. 12ft 1.0000 - D/100 RESOLUTION (E) 1.0000 - 800-1300C DN_DNE31-13C	11	0.00	952.00	10472.00
2	MOD-CHARGES	MODIFICATION OF PRODUCT	11	0.00	119.00	1309.00
					GRAND TOTAL	

*Redo Special No R 729
Temp range 450-1050C
with cable break alarm
RFB 1/10*

THIS ORDER IS ACCEPTED SUBJECT TO TERMS AND CONDITIONS SHOWN ON THIS AND THE REVERSE SIDE

SHIP TO: IRCON, INC.
7300 N. NATCHEZ AVE.
NILES, IL 60714 USA

IF TAX EXEMPT, PLEASE PROVIDE COPY OF
EXEMPTION OR DIRECT PAYMENT CERTIFICATE.

Acknowledgment



IRCON, INC.
7300 N. Natchez Ave.
Niles, IL 60714 USA

Phone 847-967-5151
Toll Free 800-323-7660
Fax 847-647-0948

SOLD TO _____ CUSTOMER NO. 100426

IRCON B.V.
DATABANKWEG 6 C
3821 AL AMERSFOORT

THE NETHERLANDS

SHIPPING ADDRESS _____ TAX CODE _____

IRCON B.V.
DATABANKWEG 6 C
3821 AL AMERSFOORT

THE NETHERLANDS

REQUEST DATE (MM-DD-YY) 12-22-00 PROMISE DATE (MM-DD-YY) 12-22-00

OUR ORDER NO. 75490 ORDER DATE (MM-DD-YY) 10-11-00

YOUR ORDER NO. 200040670

TERMS _____
0.00/0/180

F.O.B. _____
ORIGIN

CODE _____
1001 (100.00)

VIA _____
MSAS

SPECIAL SHIPPING INSTRUCTIONS _____
REF: 193410/WA62031/SCHT

99 99c

LI	PART NO.	DESCRIPTION	QTY	DSCNT%	UNIT PRICE	AMOUNT
1	DN-HO#7219 <i>W.O.#7826</i>	DN_DNE31-13C IRCON INFRARAIL IRT SENSING HEAD ONLY <i>Redo Spec No R729</i> <i>Temp range 450-1050C</i> <i>fault alarm</i> Consists of the following: 1.0000 - INFRARAIL HEAD ONLY 1.0000 - DN - E SERIES 1.0000 - D/100 RESOLUTION (E) 1.0000 - 800-1300C	5	0.00	497.20	2486.00
2	MOD-CHARGES	DN_DNE31-13C MODIFICATION OF PRODUCT	5	0.00	113.00	565.00
3	DN-C#7220	CBDNEPVC I INFRARAIL CABLE ONLY Consists of the following: 1.0000 - DN CB/CABLE ASSY'S 1.0000 - E SERIES CABLE/ASSY	5	0.00	0.00	0.00
GRAND TOTAL						

PRB 10/12

THIS ORDER IS ACCEPTED SUBJECT TO TERMS AND CONDITIONS SHOWN ON THIS AND THE REVERSE SIDE

SHIP TO: IRCON, INC.
7300 N. NATCHEZ AVE.
NILES, IL 60714 USA

IF TAX EXEMPT, PLEASE PROVIDE COPY OF
EXEMPTION OR DIRECT PAYMENT CERTIFICATE.

Acknowledgment



IRCON, INC.
7300 N. Natchez Ave.
Niles, IL 60714 USA

Phone 847-967-5151
Toll Free 800-323-7660
Fax 847-647-0948

SOLD TO _____ CUSTOMER NO. 100426

IRCON B.V.
DATABANKWEG 6 C
3821 AL AMERSFOORT

THE NETHERLANDS

SHIPPING ADDRESS _____ TAX CODE _____

IRCON B.V.
DATABANKWEG 6 C
3821 AL AMERSFOORT

THE NETHERLANDS

REQUEST DATE (MM-DD-YY) 02-02-01 PROMISE DATE (MM-DD-YY) 02-02-01

OUR ORDER NO. 76167 ORDER DATE (MM-DD-YY) 12-20-00

YOUR ORDER NO. 200040866

TERMS 0.00/0/180

F.O.B. ORIGIN

CODE 1001 (100.00)

VIA MSAS

SPECIAL SHIPPING INSTRUCTIONS REF: 196235/WA62021

LI	PART NO.	DESCRIPTION	QTY	DSCNT%	UNIT PRICE	AMOUNT
1	DN#8049 <i>W.O. #8408</i>	<i>99</i> DN_DNE 31-13C <i>99C</i> IRCON INFRARAIL IRT SYSTEM-COMPLETE Consists of the following: 1.0000 - INFRARAIL 1.0000 - DN - E SERIES 1.0000 - Std Cbl Lgth 4 meters. 12ft 1.0000 - D/100 RESOLUTION (E) 1.0000 - 800-1300C DN_DNE31-13C	19	0.00	952.00	18088.00
2	MOD-CHARGES	MODIFICATION OF PRODUCT <i>Red R1729</i> <i>450-1050C</i> <i>w/ cable fault</i> <i>A.D.</i>	19	0.00	119.00	2261.00
					GRAND TOTAL	<i>12-21-00</i>

THIS ORDER IS ACCEPTED SUBJECT TO TERMS AND CONDITIONS SHOWN ON THIS AND THE REVERSE SIDE

SHIP TO: IRCON, INC.
7300 N. NATCHEZ AVE.
NILES, IL 60714 USA

IF TAX EXEMPT, PLEASE PROVIDE COPY OF
EXEMPTION OR DIRECT PAYMENT CERTIFICATE.

Acknowledgment



IRCON, INC.
7300 N. Natchez Ave.
Niles, IL 60714 USA

Phone 847-967-5151
Toll Free 800-323-7660
Fax 847-647-0948

SOLD TO _____ CUSTOMER NO. 100426

IRCON B.V.
DATABANKWEG 6 C
3821 AL AMERSFOORT

THE NETHERLANDS

REQUEST DATE (MM-DD-YY) 02-02-01 PROMISE DATE (MM-DD-YY) 02-02-01

OUR ORDER NO. 76360 ORDER DATE (MM-DD-YY) 01-16-01

YOUR ORDER NO. 200140028

TERMS _____
0.00/0/180

F.O.B. _____
ORIGIN

SHIPPING ADDRESS _____ TAX CODE _____

IRCON B.V.
DATABANKWEG 6 C
3821 AL AMERSFOORT

THE NETHERLANDS

CODE _____
1001 (100.00)

VIA _____
MSAS

SPECIAL SHIPPING INSTRUCTIONS _____
REF: 197629/WA62031

E99aac

LI	PART NO.	DESCRIPTION	QTY	DSCNT%	UNIT PRICE	AMOUNT
1	DN#8286 <i>N.O. # 8619</i>	DN_DNE31-13C IRCON INFRARAIL IRT SYSTEM-COMPLETE Consists of the following: 1.0000 - INFRARAIL 1.0000 - DN - E SERIES 1.0000 - Std Cbl Lgth 4 meters. 12ft 1.0000 - D/100 RESOLUTION (E) 1.0000 - 800-1300C	1	0.00	856.00	856.00
2	MOD-CHARGES	DN_DNE31-13C MODIFICATION OF PRODUCT	1	0.00	107.00	107.00
					GRAND TOTAL	

*Redo Special No R 729
Temp range 450-1050C
D/50 Resolution
Cable Break alarm
RHB/1/8*

THIS ORDER IS ACCEPTED SUBJECT TO TERMS AND CONDITIONS SHOWN ON THIS AND THE REVERSE SIDE

SHIP TO: IRCON, INC.
7300 N. NATCHEZ AVE.
NILES, IL 60714 USA

IF TAX EXEMPT, PLEASE PROVIDE COPY OF EXEMPTION OR DIRECT PAYMENT CERTIFICATE.

Acknowledgment



IRCON, INC.
7300 N. Natchez Ave.
Niles, IL 60714 USA

Phone 847-967-5151
Toll Free 800-323-7660
Fax 847-647-0948

SOLD TO _____ CUSTOMER NO. 100426

IRCON B.V.
DATABANKWEG 6 C
3821 AL AMERSFOORT

THE NETHERLANDS

SHIPPING ADDRESS _____ TAX CODE _____

IRCON B.V.
DATABANKWEG 6 C
3821 AL AMERSFOORT

THE NETHERLANDS

REQUEST DATE (MM-DD-YY) 03-23-01 PROMISE DATE (MM-DD-YY) 03-23-01

OUR ORDER NO. 76638 ORDER DATE (MM-DD-YY) 02-14-01

YOUR ORDER NO. 200140115

TERMS 0.00/0/180

F.O.B. ORIGIN

CODE 1001 (100.00)

VIA MSAS

SPECIAL SHIPPING INSTRUCTIONS REF: POJ0037389

LI	PART NO.	DESCRIPTION	QTY	DSCNT%	UNIT PRICE	AMOUNT
1	JAVS079C	JAVELIN MODEL JAVS079C 7.5-8.5um,-20 TO 450C,S F	2	0.00	491.40	982.80
2	DN#8619 <i>w.o. 8856</i>	DN_DNE31-13C <i>DNE99-99C</i> IRCON INFRARAIL IRT SYSTEM-COMPLETE Consists of the following: 1.0000 - INFRARAIL 1.0000 - DN - E SERIES 1.0000 - Std Cbl Lgth 4 meters. 12ft 1.0000 - D/100 RESOLUTION (E) 1.0000 - 800-1300C DN_DNE31-13C	4	0.00	864.00	3456.00
3	MOD-CHARGES	MODIFICATION OF PRODUCT	4	0.00	108.00	432.00
					GRAND TOTAL	

*Reb Special No R729
450 to 1850C, P/50
Resolution and
cable break alarm
P/B 2/14*

THIS ORDER IS ACCEPTED SUBJECT TO TERMS AND CONDITIONS SHOWN ON THIS AND THE REVERSE SIDE

SHIP TO: IRCON, INC.
7300 N. NATCHEZ AVE.
NILES, IL 60714 USA

IF TAX EXEMPT, PLEASE PROVIDE COPY OF
EXEMPTION OR DIRECT PAYMENT CERTIFICATE.

Acknowledgment



IRCON, INC.
7300 N. Natchez Ave.
Niles, IL 60714 USA

Phone 847-967-5151
Toll Free 800-323-7660
Fax 847-647-0948

REQUEST DATE (MM-DD-YY)
03-23-01

PROMISE DATE (MM-DD-YY)
03-23-01

OUR ORDER NO.
76708

ORDER DATE (MM-DD-YY)
02-21-01

YOUR ORDER NO.

200140138

TERMS

0.00/0/180

F.O.B.

ORIGIN

CODE

1001 (100.00)

VIA

MSAS

SPECIAL SHIPPING INSTRUCTIONS

REF: 198997/WA62061/SCHT

SOLD TO

CUSTOMER NO.

100426

IRCON B.V.
DATABANKWEG 6 C
3821 AL AMERSFOORT

THE NETHERLANDS

SHIPPING ADDRESS

TAX CODE

IRCON B.V.
DATABANKWEG 6 C
3821 AL AMERSFOORT

THE NETHERLANDS

*DNE
aa-aa*

LI	PART NO.	DESCRIPTION	QTY	DSCNT%	UNIT PRICE	AMOUNT
1	DN#8685 <i>w.o.# 8909</i>	DN_DNE31-13C IRCON INFRARAIL IRT SYSTEM-COMPLETE Consists of the following: 1.0000 - INFRARAIL 1.0000 - DN - E SERIES 1.0000 - Std Cbl Lgth 4 meters. 12ft 1.0000 - D/100 RESOLUTION (E) 1.0000 - 800-1300C DN_DNE31-13C	1	0.00	864.00	864.00
2	MOD-CHARGES	MODIFICATION OF PRODUCT	1	0.00	108.00	108.00
GRAND TOTAL						

*Redo Special No R 729
Temp range 450-1050C
D/100 Res +
Cable Break Alarm
MAR 2/22*

THIS ORDER IS ACCEPTED SUBJECT TO TERMS AND CONDITIONS SHOWN ON THIS AND THE REVERSE SIDE

SHIP TO: IRCON, INC.
7300 N. NATCHEZ AVE.
NILES, IL 60714 USA

IF TAX EXEMPT, PLEASE PROVIDE COPY OF
EXEMPTION OR DIRECT PAYMENT CERTIFICATE.

Acknowledgment



IRCON, INC.
7300 N. Natchez Ave.
Niles, IL 60714 USA

Phone 847-967-5151
Toll Free 800-323-7660
Fax 847-647-0948

SOLD TO _____ CUSTOMER NO. 100426

IRCON B.V.
DATABANKWEG 6 C
3821 AL AMERSFOORT

THE NETHERLANDS

SHIPPING ADDRESS _____ TAX CODE _____

IRCON B.V.
DATABANKWEG 6 C
3821 AL AMERSFOORT

THE NETHERLANDS

REQUEST DATE (MM-DD-YY) 05-04-01 PROMISE DATE (MM-DD-YY) 05-04-01

OUR ORDER NO. 77219 ORDER DATE (MM-DD-YY) 04-11-01

YOUR ORDER NO. 200140276

TERMS _____
0.00/0/180

F.O.B. _____
ORIGIN

CODE _____
1001 (100.00)

VIA _____
MSAS

SPECIAL SHIPPING INSTRUCTIONS _____
REF: 200704/WA62081/SCHT

DNE99-99C

LI	PART NO.	DESCRIPTION	QTY	DSCNT%	UNIT PRICE	AMOUNT
1	DN#9321 <i>w.o.# 9296</i>	DN_DNE31-13C IRCON INFRARAIL IRT SYSTEM-COMPLETE Consists of the following: 1.0000 - INFRARAIL 1.0000 - DN - E SERIES 1.0000 - Std Cbl Lgth 4 meters. 12ft 1.0000 - D/100 RESOLUTION (E) 1.0000 - 800-1300C	7	0.00	904.00	6328.00
2	MOD-CHARGES	DN_DNE31-13C MODIFICATION OF PRODUCT	7	0.00	113.00	791.00
					GRAND TOTAL	

Rebo Special No R 729
Temp range 450-1050C
D/50 resolution
Cable Break alarm

PA 4/4

THIS ORDER IS ACCEPTED SUBJECT TO TERMS AND CONDITIONS SHOWN ON THIS AND THE REVERSE SIDE

SHIP TO: IRCON, INC.
7300 N. NATCHEZ AVE.
NILES, IL 60714 USA

IF TAX EXEMPT, PLEASE PROVIDE COPY OF
EXEMPTION OR DIRECT PAYMENT CERTIFICATE.

Acknowledgment



IRCON, INC.
7300 N. Natchez Ave.
Niles, IL 60714 USA

Phone 847-967-5151
Toll Free 800-323-7660
Fax 847-647-0948

SOLD TO _____ CUSTOMER NO. 100426

IRCON B.V.
DATABANKWEG 6 C
3821 AL AMERSFOORT

THE NETHERLANDS

REQUEST DATE (MM-DD-YY) 06-29-01 PROMISE DATE (MM-DD-YY) 06-29-01

OUR ORDER NO. 77746 ORDER DATE (MM-DD-YY) 06-12-01

YOUR ORDER NO. 200140412

TERMS 0.00/0/180

F.O.B. ORIGIN

SHIPPING ADDRESS _____ TAX CODE _____

IRCON B.V.
DATABANKWEG 6 C
3821 AL AMERSFOORT

THE NETHERLANDS

CODE 1001 (100.00)

VIA MSAS

SPECIAL SHIPPING INSTRUCTIONS
REF: 203968/WK16297

DNE99-99c

LI	PART NO.	DESCRIPTION	QTY	DSCNT%	UNIT PRICE	AMOUNT
1	DN#10026 <i>w.o. #9705</i>	DN_DNE31-13C IRCON INFRARAIL IRT SYSTEM-COMPLETE Consists of the following: 1.0000 - INFRARAIL 1.0000 - DN - E SERIES 1.0000 - Std Cbl Lgth 4 meters. 12ft 1.0000 - D/100 RESOLUTION (E) 1.0000 - 800-1300C DN_DNE31-13C	2	0.00	933.68	1867.36
2	MOD-CHARGES	MODIFICATION OF PRODUCT	2	0.00	116.71	233.42
					GRAND TOTAL	

*Photo Special No R729
Temp range 450 - 1050 C
cable break alarm
RHB
6/12*

THIS ORDER IS ACCEPTED SUBJECT TO TERMS AND CONDITIONS SHOWN ON THIS AND THE REVERSE SIDE

SHIP TO: IRCON, INC.
7300 N. NATCHEZ AVE.
NILES, IL 60714 USA

IF TAX EXEMPT, PLEASE PROVIDE COPY OF EXEMPTION OR DIRECT PAYMENT CERTIFICATE.

Acknowledgment



IRCON, INC.
7300 N. Natchez Ave.
Niles, IL 60714 USA

Phone 847-967-5151
Toll Free 800-323-7660
Fax 847-647-0948

SOLD TO _____ CUSTOMER NO. 100426

IRCON B.V.
DATABANKWEG 6 C
3821 AL AMERSFOORT

THE NETHERLANDS

REQUEST DATE (MM-DD-YY) 07-20-01 PROMISE DATE (MM-DD-YY) 07-20-01

OUR ORDER NO. 77810 ORDER DATE (MM-DD-YY) 06-19-01

YOUR ORDER NO. 200140432

TERMS 0.00/0/180

F.O.B. ORIGIN

CODE 1001 (100.00)

VIA MSAS

SHIPPING ADDRESS _____ TAX CODE _____

IRCON B.V.
DATABANKWEG 6 C
3821 AL AMERSFOORT

THE NETHERLANDS

SPECIAL SHIPPING INSTRUCTIONS
REF: 204088/WA62131

DNE99-99C

LI	PART NO.	DESCRIPTION	QTY	DSCNT%	UNIT PRICE	AMOUNT
1	DN#10105 <i>W.O.#9760</i>	DN_DNE31-13C IRCON INFRARAIL IRT SYSTEM-COMplete <i>Video Special No R729</i> <i>Temp range 450-1050C</i> Consists of the following: 1.0000 - INFRARAIL 1.0000 - DN - E SERIES 1.0000 - Std Cbl Lgth 4 meters. 12ft 1.0000 - D/100 RESOLUTION (E) 1.0000 - 800-1300C <i>D/50 Resolution</i> <i>Cable Break Alarm</i>	12	0.00	933.68	11204.16
2	MOD-CHARGES	DN_DNE31-13C MODIFICATION OF PRODUCT	12	0.00	116.71	1400.52
GRAND TOTAL						

MAB 6/19

THIS ORDER IS ACCEPTED SUBJECT TO TERMS AND CONDITIONS SHOWN ON THIS AND THE REVERSE SIDE

SHIP TO: IRCON, INC.
7300 N. NATCHEZ AVE.
NILES, IL 60714 USA

IF TAX EXEMPT, PLEASE PROVIDE COPY OF EXEMPTION OR DIRECT PAYMENT CERTIFICATE.

Acknowledgment



IRCON, INC.
7300 N. Natchez Ave.
Niles, IL 60714 USA

Phone 847-967-5151
Toll Free 800-323-7660
Fax 847-647-0948

SOLD TO CUSTOMER NO. 100426

IRCON B.V.
DATABANKWEG 6 C
3821 AL AMERSFOORT
THE NETHERLANDS

SHIPPING ADDRESS TAX CODE

IRCON B.V.
DATABANKWEG 6 C
3821 AL AMERSFOORT
THE NETHERLANDS

REQUEST DATE (MM-DD-YY) 08-03-01 PROMISE DATE (MM-DD-YY) 08-03-01

OUR ORDER NO. 77838 ORDER DATE (MM-DD-YY) 06-21-01

YOUR ORDER NO. 200140441

TERMS 0.00/0/180

F.O.B. ORIGIN

CODE 1001 (100.00)

VIA MSAS

SPECIAL SHIPPING INSTRUCTIONS
REF: 204161/WA62432

DNE99-99c

LI	PART NO.	DESCRIPTION	QTY	DSCNT%	UNIT PRICE	AMOUNT
1	DN#10133 <i>W.O.# 9796</i>	DN_DNE31-13C IRCON INFRARAIL IRT SYSTEM-COMLETE <i>Red Special No R729</i> <i>Temp range 450-1050C</i> <i>D/50 Resolution +</i> <i>Cable Break Alarm</i> Consists of the following: 1.0000 - INFRARAIL 1.0000 - DN - E SERIES 1.0000 - Std Cbl Lgth 4 meters. 12ft 1.0000 - D/100 RESOLUTION (E) 1.0000 - 800-1300C	3	0.00	933.68	2801.04
2	MOD-CHARGES	DN_DNE31-13C MODIFICATION OF PRODUCT	3	0.00	116.71	350.13 <i>6/22</i>
GRAND TOTAL						

THIS ORDER IS ACCEPTED SUBJECT TO TERMS AND CONDITIONS SHOWN ON THIS AND THE REVERSE SIDE

SHIP TO: IRCON, INC.
7300 N. NATCHEZ AVE.
NILES, IL 60714 USA

IF TAX EXEMPT, PLEASE PROVIDE COPY OF EXEMPTION OR DIRECT PAYMENT CERTIFICATE.

Acknowledgment



IRCON, INC.
7300 N. Natchez Ave.
Niles, IL 60714 USA

Phone 847-967-5151
Toll Free 800-323-7660
Fax 847-647-0948

SOLD TO _____ CUSTOMER NO. 100426

IRCON B.V.
DATABANKWEG 6 C
3821 AL AMERSFOORT

THE NETHERLANDS

SHIPPING ADDRESS _____ TAX CODE _____

IRCON B.V.
DATABANKWEG 6 C
3821 AL AMERSFOORT

THE NETHERLANDS

REQUEST DATE (MM-DD-YY) 10-12-01 PROMISE DATE (MM-DD-YY) 10-12-01

OUR ORDER NO. 78574 ORDER DATE (MM-DD-YY) 09-26-01

YOUR ORDER NO. 200140623

TERMS 0.00/0/180

F.O.B. ORIGIN

CODE 1001 (100.00)

VIA MSAS

SPECIAL SHIPPING INSTRUCTIONS REF: 207999/WA62132

DNE99-99C

LI	PART NO.	DESCRIPTION	QTY	DSCNT%	UNIT PRICE	AMOUNT
1	DN#11009 <i>W.O.# 10377</i>	DN_DNE31-13C IRCON INFRARAIL IRT SYSTEM-COMLETE Consists of the following: 1.0000 - INFRARAIL 1.0000 - DN - E SERIES 1.0000 - Std Cbl Lgth 4 meters. 12ft 1.0000 - D/100 RESOLUTION (E) 1.0000 - 800-1300C DN_DNE31-13C	1	0.00	876.24	876.24
2	MOD-CHARGES	MODIFICATION OF PRODUCT	1	0.00	109.53	109.53
					GRAND TOTAL	

*Redo Special No R729
Temp range 450-1050C
Cable break alarm
PAB
9/26*

THIS ORDER IS ACCEPTED SUBJECT TO TERMS AND CONDITIONS SHOWN ON THIS AND THE REVERSE SIDE

SHIP TO: IRCON, INC.
7300 N. NATCHEZ AVE.
NILES, IL 60714 USA

IF TAX EXEMPT, PLEASE PROVIDE COPY OF EXEMPTION OR DIRECT PAYMENT CERTIFICATE.

Acknowledgment



IRCON, INC.
7300 N. Natchez Ave.
Niles, IL 60714 USA

Phone 847-967-5151
Toll Free 800-323-7660
Fax 847-647-0948

SOLD TO _____ CUSTOMER NO. 100426

IRCON B.V.
DATABANKWEG 6 C
3821 AL AMERSFOORT

THE NETHERLANDS

SHIPPING ADDRESS _____ TAX CODE _____

IRCON B.V.
DATABANKWEG 6 C
3821 AL AMERSFOORT

THE NETHERLANDS

REQUEST DATE (MM-DD-YY) 01-25-02 PROMISE DATE (MM-DD-YY) 01-25-02

OUR ORDER NO. 79147 ORDER DATE (MM-DD-YY) 12-11-01

YOUR ORDER NO. 200140806

TERMS 0.00/0/180

F.O.B. ORIGIN

CODE 1001 (100.00)

VIA MSAS

SPECIAL SHIPPING INSTRUCTIONS
REF: 210725/WA62231

DNE99-99C

LI	PART NO.	DESCRIPTION	QTY	DSCNT%	UNIT PRICE	AMOUNT
1	DN#11717 <i>w.o.#10850</i>	DN_DNE31-13C IRCON INFRARAIL IRT SYSTEM-COMPLETE <i>Prod Special No R729</i> <i>Temp range 450 to 1050C</i> <i>D/50 resolution +</i> <i>Cable break alarm</i> Consists of the following: 1.0000 - INFRARAIL 1.0000 - DN - E SERIES 1.0000 - Std Cbl Lgth 4 meters. 12ft 1.0000 - D/100 RESOLUTION (E) 1.0000 - 800-1300C	7	0.00	912.60	6388.18
2	MOD-CHARGES	DN_DNE31-13C MODIFICATION OF PRODUCT	7	0.00	114.07	798.52 <i>12/11</i>
					GRAND TOTAL	

THIS ORDER IS ACCEPTED SUBJECT TO TERMS AND CONDITIONS SHOWN ON THIS AND THE REVERSE SIDE

SHIP TO: IRCON, INC.
7300 N. NATCHEZ AVE.
NILES, IL 60714 USA

IF TAX EXEMPT, PLEASE PROVIDE COPY OF EXEMPTION OR DIRECT PAYMENT CERTIFICATE.

Acknowledgment



IRCON, INC.
7300 N. Natchez Ave.
Niles, IL 60714 USA

Phone 847-967-5151
Toll Free 800-323-7660
Fax 847-647-0948

SOLD TO _____ CUSTOMER NO. 002066

MUELLER INDUSTRIES INC.
STANDARD PRODUCTS DIV
8285 TOURNAMENT DRIVE
SUITE 150, ACCTS PAYABLE
MEMPHIS, TN 38125

SHIPPING ADDRESS _____ TAX CODE _____
MUELLER COPPER TUBE
400 MUELLER ROAD
VULTON, MS 38843

REQUEST DATE (MM-DD-YY) 03-29-02 PROMISE DATE (MM-DD-YY) 03-29-02

OUR ORDER NO. 79853 ORDER DATE (MM-DD-YY) 03-14-02

YOUR ORDER NO. F30923

TERMS 0.00/0/30

QUOTE # _____

F.O.B. ORIGIN

CODE 1002 (100.00)

VIA UPS

SPECIAL SHIPPING INSTRUCTIONS _____

DNE99-99C

LI	PART NO.	DESCRIPTION	QTY	DSCNT%	UNIT PRICE	AMOUNT
1	DN#12629 <i>W.O.#11435</i>	DN_DNE31-13C IRCON INFRARAIL IRT SYSTEM-COMLETE <i>Redo Special No R729 Temp range 450-1050C D/50 resolution Cable Break Alarm</i> Consists of the following: 1.0000 - INFRARAIL 1.0000 - DN - E SERIES 1.0000 - Std Cbl Lgth 12ft 1.0000 - D/100 RESOLUTION (E) 1.0000 - 800-1300C DN_DNE31-13C <i>any chg</i>	1	0.00	2080.00	2080.00
					GRAND TOTAL	USD2,080.00

*RAB
3/15*

\$400

THIS ORDER IS ACCEPTED SUBJECT TO TERMS AND CONDITIONS SHOWN ON THIS AND THE REVERSE SIDE

SHIP TO: IRCON, INC.
7300 N. NATCHEZ AVE.
NILES, IL 60714 USA

IF TAX EXEMPT, PLEASE PROVIDE COPY OF EXEMPTION OR DIRECT PAYMENT CERTIFICATE.

R 729

S/O 85705

Section 1 — GENERAL INFORMATION

1.5 PRODUCT MODIFICATION

IRCON InfraRail Model DNE99-99C is modified for a special temperature range of 450° to 1050°C, an optical resolution of D/50 with 30" focus and a wavelength of 1.49 - 1.6 μm per customer specifications. In addition, customer requires a special fault condition indicator that warns when the sensor cable is disconnected.

The special fault indication provides for a current output from the signal processor which exceeds 20 mAdc any time the sensor is disconnected from the signal processor.

This modified instrument may be used with all standard InfraRail options and accessories.

Details of this modification are retained in IRCON Engineering Files as InfraRail Special No. R729.

NOTE: Ircon, Inc. is the sole owner in all respects of any product or software modification or design herein specified.

Acknowledgment



IRCON, INC.
7300 N. Natchez Ave.
Niles, IL 60714 USA

Phone 847-967-5151
Toll Free 800-323-7660
Fax 847-647-0948

SOLD TO _____ CUSTOMER NO. 100426

IRCON B.V.
DATABANKWEG 6 C
3821 AL AMERSFOORT

THE NETHERLANDS

SHIPPING ADDRESS _____ TAX CODE NO TAX

IRCON B.V.
DATABANKWEG 6 C
3821 AL AMERSFOORT

THE NETHERLANDS

REQUEST DATE (MM-DD-YY) 07-03-02 PROMISE DATE (MM-DD-YY) 07-03-02

OUR ORDER NO. 80578 ORDER DATE (MM-DD-YY) 06-27-02

YOUR ORDER NO. 200240352

TERMS 0.00/0/180

QUOTE # _____

F.O.B. ORIGIN

CODE 1001 (100.00)

VIA MSAS

SPECIAL SHIPPING INSTRUCTIONS EMERGENCY REPLACEMENT

DNE99-99C

LI	PART NO.	DESCRIPTION	QTY	DSCNT %	UNIT PRICE	AMOUNT
1	DN#13677 <i>w.o.# 12046</i>	DN_DNE31-13C IRCON INFRARAIL IRT SYSTEM-COMPLETE Consists of the following: 1.0000 - INFRARAIL 1.0000 - DN - E SERIES 1.0000 - Std Cbl Lgth 4 meters. 12ft 1.0000 - D/100 RESOLUTION (E) 1.0000 - 800-1300C DN_DNE31-13C	1	0.00	866.97	866.97
2	MOD-CHARGES	<i>Redo R729</i> MODIFICATION OF PRODUCT <i>450-1050°C D/50 WITH CABLE BREAK ALARM A.D. 6/27/02</i>	1	0.00	216.74	216.74
					GRAND TOTAL	ECU1,083.71

THIS ORDER IS ACCEPTED SUBJECT TO TERMS AND CONDITIONS SHOWN ON THIS AND THE REVERSE SIDE

SHIP TO: IRCON, INC.
7300 N. NATCHEZ AVE.
NILES, IL 60714 USA

IF TAX EXEMPT, PLEASE PROVIDE COPY OF EXEMPTION OR DIRECT PAYMENT CERTIFICATE.

Acknowledgment



IRCON, INC.
7300 N. Natchez Ave.
Niles, IL 60714 USA

Phone 847-967-5151
Toll Free 800-323-7660
Fax 847-647-0948

SOLD TO CUSTOMER NO. 100426
IRCON B.V.
DATABANKWEG 6 C
3821 AL AMERSFOORT
THE NETHERLANDS

SHIPPING ADDRESS TAX CODE NO TAX
IRCON B.V.
DATABANKWEG 6 C
3821 AL AMERSFOORT
THE NETHERLANDS

REQUEST DATE (MM-DD-YY) 09-27-02 PROMISE DATE (MM-DD-YY) 09-27-02
OUR ORDER NO. 80719 ORDER DATE (MM-DD-YY) 07-18-02
YOUR ORDER NO. 200240404
TERMS 0.00/0/180
QUOTE #
F.O.B. ORIGIN
CODE 1001 (100.00)
VIA MSAS
SPECIAL SHIPPING INSTRUCTIONS
REF: 217719/WA62342

LI	PART NO.	DESCRIPTION	QTY	DSCNT %	UNIT PRICE	AMOUNT
1	DN#13846 <i>W.O.# 12169</i>	DN_DNE31-13C IRCON INFRARAIL IRT SYSTEM-COMplete Consists of the following: 1.0000 - INFRARAIL 1.0000 - DN - E SERIES 1.0000 - Std Cbl Lgth 4 meters. 12ft 1.0000 - D/100 RESOLUTION (E) 1.0000 - 800-1300C DN_DNE31-13C	6	0.00	810.02	4860.14
2	MOD-CHARGES	MODIFICATION OF PRODUCT DO NOT SHIP BEFORE 9/27/02	6	0.00	101.25	607.52
					GRAND TOTAL	ECU5,467.66

*Redo Special No R729
Temp range 450-1050C
1/50 resolution
cable Break Alarm*

7/18

SHIP TO: IRCON, INC.
7300 N. NATCHEZ AVE.
NILES, IL 60714 USA

IF TAX EXEMPT, PLEASE PROVIDE COPY OF EXEMPTION OR DIRECT PAYMENT CERTIFICATE.

Acknowledgment



IRCON, INC.
7300 N. Natchez Ave.
Niles, IL 60714 USA

Phone 847-967-5151
Toll Free 800-323-7660
Fax 847-647-0948

SOLD TO _____ CUSTOMER NO. 100426

IRCON B.V.
DATABANKWEG 6 C
3821 AL AMERSFOORT

THE NETHERLANDS

SHIPPING ADDRESS _____ TAX CODE NO TAX

IRCON B.V.
DATABANKWEG 6 C
3821 AL AMERSFOORT

THE NETHERLANDS

REQUEST DATE (MM-DD-YY) 12-13-02 PROMISE DATE (MM-DD-YY) 12-13-02

OUR ORDER NO. 81588 ORDER DATE (MM-DD-YY) 11-27-02

YOUR ORDER NO. 200240646

TERMS 0.00/0/180

QUOTE # _____

F.O.B. ORIGIN

CODE 1001 (100.00)

VIA MSAS

SPECIAL SHIPPING INSTRUCTIONS REF: 412104

DNEA9-99c

LI	PART NO.	DESCRIPTION	QTY	DSCNT %	UNIT PRICE	AMOUNT
1	DN#15114 <i>W.O.#12922</i>	DN_DNE31-13C IRCON INFRARAIL IRT SYSTEM-COMplete Consists of the following: 1.0000 - INFRARAIL 1.0000 - DN - E SERIES 1.0000 - Std Cbl Lgth 4 meters. 12ft 1.0000 - D/100 RESOLUTION (E) 1.0000 - 800-1300C DN_DNE31-13C	1	0.00	800.70	800.70
2	MOD-CHARGES	MODIFICATION OF PRODUCT	1	0.00	100.09	100.09
					GRAND TOTAL	ECU900.79

*Redo Special No R 729
Temp range 450-1050C
D/50 + cable break clear
RTR 12/2*

THIS ORDER IS ACCEPTED SUBJECT TO TERMS AND CONDITIONS SHOWN ON THIS AND THE REVERSE SIDE

SHIP TO: IRCON, INC.
7300 N. NATCHEZ AVE.
NILES, IL 60714 USA

IF TAX EXEMPT, PLEASE PROVIDE COPY OF EXEMPTION OR DIRECT PAYMENT CERTIFICATE.

Acknowledgment



IRCON, INC.
7300 N. Natchez Ave.
Niles, IL 60714 USA

Phone 847-967-5151
Toll Free 800-323-7660
Fax 847-647-0948

SOLD TO _____ CUSTOMER NO. 100426

IRCON B.V.
DATABANKWEG 6 C
3821 AL AMERSFOORT
THE NETHERLANDS

REQUEST DATE (MM-DD-YY) 01-03-03 PROMISE DATE (MM-DD-YY) 01-03-03

OUR ORDER NO. 81643 ORDER DATE (MM-DD-YY) 12-06-02

YOUR ORDER NO. 200240663

TERMS 0.00/0/180

QUOTE # _____

F.O.B. ORIGIN

SHIPPING ADDRESS _____ TAX CODE NO TAX

IRCON B.V.
DATABANKWEG 6 C
3821 AL AMERSFOORT
THE NETHERLANDS

CODE 1001 (100.00)

VIA MSAS

SPECIAL SHIPPING INSTRUCTIONS REF: 222913/WA62371

DNE99-99C

LI	PART NO.	DESCRIPTION	QTY	DSCNT %	UNIT PRICE	AMOUNT
1	DN#15208 <i>w.o.# 12963</i>	DN_DNE31-13C IRCON INFRARAIL IRT SYSTEM-COMLETE Consists of the following: 1.0000 - INFRARAIL 1.0000 - DN - E SERIES 1.0000 - Std Cbl Lgth 4 meters. 12ft 1.0000 - D/100 RESOLUTION (E) 1.0000 - 800-1300C DN_DNE31-13C	6	0.00	800.70	4804.19
2	MOD-CHARGES	MODIFICATION OF PRODUCT	6	0.00	100.09	600.52
					GRAND TOTAL	ECU5,404.71

*Redo Spec No R1729
Temp range 450-1050C
D/500ft + cable
break alarm
Rt 12/03*

SHIP TO: IRCON, INC.
7300 N. NATCHEZ AVE.
NILES, IL 60714 USA

IF TAX EXEMPT, PLEASE PROVIDE COPY OF EXEMPTION OR DIRECT PAYMENT CERTIFICATE.



IRCON, INC.
7300 North Natchez Avenue
Niles, Illinois 60714 USA

Telephone 847-967-5151
Toll Free 800-323-7660
Fax 847-647-0948

ISO 9001/QS 9000 TE
Quality Systems Certified

Modified Standard Product
Data Form

A modified standard product is a product that is based on a standard product found in the most recent price list. The modifications maybe items such as; temperature ranges, output types, resolution, response time and optical issues. A modified standard product form is to be completed and submitted to Steve Schumm and Gene Kalley for review and approval based on the modification (which we have done before). If the modification has not been done before, the approval will require the entire senior management team's approval BEFORE QUOTING. A modified standard product if approved; this product will become a price listed standard product. We can then pay commission as outlined in our most recent contract.

- Standard Product is a Model Number: DNE31-73C
- Standard Product List Price: \$900
- The product change requested would be: Redo Special No R729

Sales will attach specifics to this form.

- The market is willing to pay \$ 1000 for this product (total including standard price).
- What is engineering's expected time investment and cost: 1 HOUR Man Days W.O. #
\$ 100.00 13275
- What is production's expected purchasing and production time requirement: _____ Days
- This new product has potential in the following application and estimated potential per year would be _____ per year:

_____ This product will be _____ not be _____ quoted and produced as previously outlined.

➤ Agreed on this date of _____ By production/purchasing _____

By engineering A. DONADO 2/6/03

- Sales can now quote this project for \$ _____ per unit.
_____ lead time.

_____ Add to standard product list in literature (Maxine)

_____ Add to price list (Vern)

cc/ Greg P, Paul V, Regional Sales Staff Globally

Acknowledgment



IRCON, INC.
7300 N. Natchez Ave.
Niles, IL 60714 USA

Phone 847-967-5151
Toll Free 800-323-7660
Fax 847-647-0948

SOLD TO _____ CUSTOMER NO. 100426

IRCON B.V.
DATABANKWEG 6 C
3821 AL AMERSFOORT

THE NETHERLANDS

REQUEST DATE (MM-DD-YY) 05-23-03 PROMISE DATE (MM-DD-YY) 05-23-03

OUR ORDER NO. 82499 ORDER DATE (MM-DD-YY) 04-10-03

YOUR ORDER NO. 200340179

TERMS 0.00/0/180

QUOTE # _____

F.O.B. ORIGIN

CODE 1001 (100.00)

VIA MSAS

SHIPPING ADDRESS _____ TAX CODE NO TAX

IRCON B.V.
DATABANKWEG 6 C
3821 AL AMERSFOORT

THE NETHERLANDS

SPECIAL SHIPPING INSTRUCTIONS

REF: 227751/WA62491

DNE99-99C

LI	PART NO.	DESCRIPTION	QTY	DSCNT %	UNIT PRICE	AMOUNT
1	DN#16400 <i>W.O. #13703</i>	DN_DNE31-13C IRCON INFRARAIL IRT SYSTEM-COMPLETE Consists of the following: 1.0000 - INFRARAIL 1.0000 - DN - E SERIES 1.0000 - Std Cbl Lgth 4 meters. 12ft 1.0000 - D/100 RESOLUTION (E) 1.0000 - 800-1300C DN_DNE31-13C	12	0.00	743.89	8926.72
2	MOD-CHARGES	MODIFICATION OF PRODUCT DO NOT SHIP BEFORE 5/23/03	12	0.00	92.99	1115.84
					GRAND TOTAL	ECU10,042.56

*Reds Special No R729
Temp range 450-1050C
D/50 resolution
+ cable break alarm.*

*RFH
4/10*

SHIP TO: IRCON, INC.
7300 N. NATCHEZ AVE.
NILES, IL 60714 USA

IF TAX EXEMPT, PLEASE PROVIDE COPY OF EXEMPTION OR DIRECT PAYMENT CERTIFICATE.



IRCON, INC.
7300 North Natchez Avenue
Niles, Illinois 60714 USA

Telephone 847-967-5151
Toll Free 800-323-7660
Fax 847-647-0948

ISO 9001/QS 9000 TE
Quality Systems Certified

Modified Standard Product
Data Form

A modified standard product is a product that is based on a standard product found in the most recent price list. The modifications maybe items such as; temperature ranges, output types, resolution, response time and optical issues. A modified standard product form is to be completed and submitted to Steve Schumm and Gene Kalley for review and approval based on the modification (which we have done before). If the modification has not been done before, the approval will require the entire senior management team's approval BEFORE QUOTING. A modified standard product if approved; this product will become a price listed standard product. We can then pay commission as outlined in our most recent contract.

- Standard Product is a Model Number: ONEG1-BC
- Standard Product List Price: \$900
- The product change requested would be: Redo Special R729
Temp 450+1050C *Sales will attach specifics to this form.*
- The market is willing to pay \$ 100⁰⁰ for this product (total including standard price).
- What is engineering's expected time investment and cost: 1 HOUR Man Days
\$ 100⁰⁰
- What is production's expected purchasing and production time requirement: Days
- This new product has potential in the following application and estimated potential per year would be per year:

➤ This product will be not be quoted and produced as previously outlined.

➤ Agreed on this date of By production/purchasing

By engineering A. DONADO 4/11/03

➤ Sales can now quote this project for \$ per unit.
 lead time.

W.O. # 13703

 Add to standard product list in literature (Maxine)
 Add to price list (Vern)
cc/ Greg P, Paul V, Regional Sales Staff Globally

Acknowledgment



IRCON, INC.
7300 N. Natchez Ave.
Niles, IL 60714 USA

Phone 847-967-5151
Toll Free 800-323-7660
Fax 847-647-0948

SOLD TO _____ CUSTOMER NO. 100426

IRCON B.V.
DATABANKWEG 6 C
3821 AL AMERSFOORT

THE NETHERLANDS

REQUEST DATE (MM-DD-YY) 05-23-03 PROMISE DATE (MM-DD-YY) 05-23-03

OUR ORDER NO. 82738 ORDER DATE (MM-DD-YY) 05-15-03

YOUR ORDER NO. 200340227

TERMS 0.00/0/180

QUOTE # _____

F.O.B. ORIGIN

CODE 1001 (100.00)

VIA UPS INTL

SHIPPING ADDRESS _____ TAX CODE NO TAX

IRCON B.V.
DATABANKWEG 6 C
3821 AL AMERSFOORT

THE NETHERLANDS

SPECIAL SHIPPING INSTRUCTIONS _____ REF: 2290881/WA62491

DNE91-99C

LI	PART NO.	DESCRIPTION	QTY	DSCNT %	UNIT PRICE	AMOUNT
1	DN#16769 <i>w.o.#13885</i>	DN_DNE31-13C IRCON INFRARAIL IRT SYSTEM-COMplete Consists of the following: 1.0000 - INFRARAIL 1.0000 - DN - E SERIES 1.0000 - Std Cbl Lgth 4 meters. 12ft 1.0000 - D/100 RESOLUTION (E) 1.0000 - 800-1300C DN_DNE31-13C	1	0.00	726.09	726.09
2	MOD-CHARGES	MODIFICATION OF PRODUCT	1	0.00	90.76	90.76
					GRAND TOTAL	ECU816.85

Mod Special No R 729
Temp range 450-1050C
D/50 Res + cable
Break Alarm

Protz
5/15

THIS ORDER IS ACCEPTED SUBJECT TO TERMS AND CONDITIONS SHOWN ON THIS AND THE REVERSE SIDE

SHIP TO: IRCON, INC.
7300 N. NATCHEZ AVE.
NILES, IL 60714 USA

IF TAX EXEMPT, PLEASE PROVIDE COPY OF EXEMPTION OR DIRECT PAYMENT CERTIFICATE.



IRCON, INC.
7300 North Natchez Avenue
Niles, Illinois 60714 USA

Telephone 847-967-5151
Toll Free 800-323-7660
Fax 847-647-0948

ISO 9001/QS 9000 TE
Quality Systems Certified

**Modified Standard Product
Data Form**

A modified standard product is a product that is based on a standard product found in the most recent price list. The modifications maybe items such as; temperature ranges, output types, resolution, response time and optical issues. A modified standard product form is to be completed and submitted to Steve Schumm and Gene Kalley for review and approval based on the modification (which we have done before). If the modification has not been done before, the approval will require the entire senior management team's approval BEFORE QUOTING. A modified standard product if approved; this product will become a price listed standard product. We can then pay commission as outlined in our most recent contract.

➤ Standard Product is a Model Number: DNE31-13C

➤ Standard Product List Price: 800

➤ The product change requested would be: Ratio R729

450-1050C Sales will attach specifics to this form.

➤ The market is willing to pay: 900 for this product (total including standard price).

➤ What is engineering's expected time investment and cost: 1 hour Man Days
\$ 100.00

➤ What is production's expected purchasing and production time requirement: _____ Days

➤ This new product has potential in the following application and estimated potential per year would be _____ per year:

➤ This product will be not be _____ quoted and produced as previously outlined.

➤ Agreed on this date of _____ By production/purchasing _____

By engineering A-DONADO 5/15/03

➤ Sales can now quote this project for \$ _____ per unit. W.O.# 13885

_____ lead time.

_____ Add to standard product list in literature (Maxine)
_____ Add to price list (Vern)

cc/ Greg P, Paul V, Regional Sales Staff Globally

Acknowledgment



IRCON, INC.
7300 N. Natchez Ave.
Niles, IL 60714 USA

Phone 847-967-5151
Toll Free 800-323-7660
Fax 847-647-0948

SOLD TO _____ CUSTOMER NO. 002605

TANJORE CORPORATION
ATTN: ACCOUNTS PAYABLE
P. O. BOX 451089
LAREDO, TX 78045

SHIPPING ADDRESS _____ TAX CODE NO TAX

TANJORE CORPORATION
8020 SAN LORENZO DRIVE
LAREDO, TX 78045

REQUEST DATE (MM-DD-YY) 06-13-03 PROMISE DATE (MM-DD-YY) 06-13-03
OUR ORDER NO. 82835 ORDER DATE (MM-DD-YY) 05-30-03
YOUR ORDER NO. TI-334054
TERMS 0.00/0/30
QUOTE # _____
F.O.B. ORIGIN
CODE 1120 (100.00)
VIA UPS BLUE
SPECIAL SHIPPING INSTRUCTIONS _____

LI	PART NO.	DESCRIPTION	QTY	DSCNT %	UNIT PRICE	AMOUNT
1	JAVS079C	JAVELIN MODEL JAVS079C 7.5-8.5um,50 TO 600C,S.F.	2	0.00	999.00	1998.00
2	DN-HO#16890 <i>W.O.#13959</i>	DN_DNE31-13C IRCON INFRARAIL IRT SENSING HEAD ONLY Consists of the following: 1.0000 - INFRARAIL HEAD ONLY 1.0000 - DN - E SERIES 1.0000 - D/100 RESOLUTION (E) 1.0000 - 800-1300C DN_DNE31-13C	2	0.00	1290.00	2580.00
3	DN#16891 <i>W.O.#13960</i>	DN_DNE31-13C IRCON INFRARAIL IRT SYSTEM-COMPLETE Consists of the following: 1.0000 - INFRARAIL 1.0000 - DN - E SERIES 1.0000 - Std Cbl Lgth 12ft 1.0000 - D/100 RESOLUTION (E) 1.0000 - 800-1300C DN_DNE31-13C	2	0.00	2180.00	4360.00
					GRAND TOTAL	

THIS ORDER IS ACCEPTED SUBJECT TO TERMS AND CONDITIONS SHOWN ON THIS AND THE REVERSE SIDE

SHIP TO: IRCON, INC.
7300 N. NATCHEZ AVE.
NILES, IL 60714 USA

IF TAX EXEMPT, PLEASE PROVIDE COPY OF EXEMPTION OR DIRECT PAYMENT CERTIFICATE.



IRCON, INC.
7300 North Natchez Avenue
Niles, Illinois 60714 USA

Telephone 847-967-5151
Toll Free 800-323-7660
Fax 847-647-0948

ISO 9001/QS 9000 TE
Quality Systems Certified

Modified Standard Product Data Form

A modified standard product is a product that is based on a standard product found in the most recent price list. The modifications maybe items such as; temperature ranges, output types, resolution, response time and optical issues. A modified standard product form is to be completed and submitted to Steve Schumm and Gene Kalley for review and approval based on the modification (which we have done before). If the modification has not been done before, the approval will require the entire senior management team's approval BEFORE QUOTING. A modified standard product if approved; this product will become a price listed standard product. We can then pay commission as outlined in our most recent contract.

- Standard Product is a Model Number: DNE31-13C
 - Standard Product List Price: _____
 - The product change requested would be: SPECIAL R729 (SENSOR ONLY)
450-1050°C 1.6µ *Sales will attach specifics to this form.*
 - The market is willing to pay \$ _____ for this product (total including standard price).
 - What is engineering's expected time investment and cost: 1 hour Man Days
\$ 10000
 - What is production's expected purchasing and production time requirement: _____ Days
 - This new product has potential in the following application and estimated potential per year would be _____ per year:
-
- This product will be not be _____ quoted and produced as previously outlined.
 - Agreed on this date of _____ By production/purchasing _____
By engineering A. DONADO 6/2/03
 - Sales can now quote this project for \$ _____ per unit. W.O. # 13959
_____ lead time.

_____ Add to standard product list in literature (Maxine)

_____ Add to price list (Vern)

cc/ Greg P, Paul V, Regional Sales Staff Globally



IRCON, INC.
7300 North Natchez Avenue
Niles, Illinois 60714 USA

Telephone 847-967-5151
Toll Free 800-323-7660
Fax 847-647-0948

ISO 9001/QS 9000 TE
Quality Systems Certified

Modified Standard Product
Data Form

A modified standard product is a product that is based on a standard product found in the most recent price list. The modifications maybe items such as; temperature ranges, output types, resolution, response time and optical issues. A modified standard product form is to be completed and submitted to Steve Schumm and Gene Kalley for review and approval based on the modification (which we have done before). If the modification has not been done before, the approval will require the entire senior management team's approval BEFORE QUOTING. A modified standard product if approved; this product will become a price listed standard product. We can then pay commission as outlined in our most recent contract.

- Standard Product is a Model Number: DNE31-13C
- Standard Product List Price: _____
- The product change requested would be: SPECIAL R729
450-1050°C 1.6µ Sales will attach specifics to this form.
- The market is willing to pay \$ _____ for this product (total including standard price).
- What is engineering's expected time investment and cost: 1 HOUR Man Days
\$ 100.00
- What is production's expected purchasing and production time requirement: _____ Days
- This new product has potential in the following application and estimated potential per year would be _____ per year:

- This product will be not be _____ quoted and produced as previously outlined.
- Agreed on this date of _____ By production/purchasing _____
By engineering A. DONADO 6/2/03
W.O. #13960
- Sales can now quote this project for \$ _____ per unit.
_____ lead time.

_____ Add to standard product list in literature (Maxine)

_____ Add to price list (Vern)

cc/ Greg P, Paul V, Regional Sales Staff Globally

Acknowledgment



IRCON, INC.
7300 N. Natchez Ave.
Niles, IL 60714 USA

Phone 847-967-5151
Toll Free 800-323-7660
Fax 847-647-0948

SOLD TO _____ CUSTOMER NO. 100426

IRCON B.V.
DATABANKWEG 6 C
3821 AL AMERSFOORT

THE NETHERLANDS

SHIPPING ADDRESS _____ TAX CODE NO TAX

IRCON B.V.
DATABANKWEG 6 C
3821 AL AMERSFOORT

THE NETHERLANDS

REQUEST DATE (MM-DD-YY) 06-06-03 PROMISE DATE (MM-DD-YY) 06-06-03

OUR ORDER NO. 82840 ORDER DATE (MM-DD-YY) 06-02-03

YOUR ORDER NO. 200340254

TERMS 0.00/0/180

QUOTE # _____

F.O.B. ORIGIN

CODE 1001 (100.00)

VIA UPS INTL

SPECIAL SHIPPING INSTRUCTIONS
REF: 229838/WA62341 *Wah/2*

49-99C

LI	PART NO.	DESCRIPTION	QTY	DSCNT %	UNIT PRICE	AMOUNT
1	DN-EM#16900 <i>w.o. #13964</i>	DN_DNE31-13C IRCON INFRARAIL IRT PROCESSOR MODULE ONLY Consists of the following: 1.0000 - DN ELECTRONIC MODULE 1.0000 - DN - E SERIES 1.0000 - D/100 RESOLUTION (E) 1.0000 - 800-1300C DN_DNE31-13C	3	0.00	410.66	1231.98
2	MOD-CHARGES	MODIFICATION OF PRODUCT	3	0.00	84.85	254.55
3	DN-EM#16901 <i>w.o. #13965</i>	DN_DNE31-13C <i>49-99C</i> IRCON INFRARAIL IRT PROCESSOR MODULE ONLY Consists of the following: 1.0000 - DN ELECTRONIC MODULE 1.0000 - DN - E SERIES 1.0000 - D/100 RESOLUTION (E) 1.0000 - 800-1300C DN_DNE31-13C	5	0.00	410.66	2053.30
4	MOD-CHARGES	MODIFICATION OF PRODUCT	5	0.00	84.85	424.25
5	DN-EM#16902 <i>w.o. #13966</i>	DN_DNFFA-11C IRCON INFRARAIL IRT	1	0.00	410.66	410.66
					GRAND TOTAL	2159.74

*Redo Spec No R5730
Cable 375-850C
1/50 + cable work*

*Redo Spec No R5729
Cable 450-1050C
1/50 + cable work*

Redo Spec R-200 cable

THIS ORDER IS ACCEPTED SUBJECT TO TERMS AND CONDITIONS SHOWN ON THIS AND THE REVERSE SIDE

SHIP TO: IRCON, INC.
7300 N. NATCHEZ AVE.
NILES, IL 60714 USA

IF TAX EXEMPT, PLEASE PROVIDE COPY OF EXEMPTION OR DIRECT PAYMENT CERTIFICATE

6

SHIP TO:



IRCON, INC.
7300 North Natchez Avenue
Niles, Illinois 60714 USA

Telephone 847-967-5151
Toll Free 800-323-7660
Fax 847-647-0948

ISO 9001/QS 9000 TE
Quality Systems Certified

82952

Modified Standard Product
Data Form

A modified standard product is a product that is based on a standard product found in the most recent price list. The modifications maybe items such as; temperature ranges, output types, resolution, response time and optical issues. A modified standard product form is to be completed and submitted to Steve Schumm and Gene Kalley for review and approval based on the modification (which we have done before). If the modification has not been done before, the approval will require the entire senior management team's approval BEFORE QUOTING. A modified standard product if approved; this product will become a price listed standard product. We can then pay commission as outlined in our most recent contract.

- Standard Product is a Model Number: DNE99-99C
- Standard Product List Price: \$ 400
- The product change requested would be: Redy Spec R729 + R730
450-109C / 375 + 69C **Sales will attach specifics to this form.**
- The market is willing to pay: 450 for this product (total including standard price).
- What is engineering's expected time investment and cost: 2 hours Man Days
\$ 200⁰⁰
- What is production's expected purchasing and production time requirement: Days
- This new product has potential in the following application and estimated potential per year would be per year:

➤ This product will be not be quoted and produced as previously outlined.

➤ Agreed on this date of By production/purchasing
By engineering A. DONADO 6/5/03

➤ Sales can now quote this project for \$ per unit.
 lead time.

W.O.# 13987
13988

 Add to standard product list in literature (Maxine)

 Add to price list (Vern)

cc/ Greg P, Paul V, Regional Sales Staff Globally

W.O.# 13987

Number :DN-HO#16926 - IRCON INFRARAIL IRT SO-LI: 82852*1

Level	Part Number	Description	Quantity	UM	Alt	MB	X	ECO No.	ECO Date	Start Use	End Use
1	DNLDNE	DN PRICES	1.0000	EA							
1	C11201-R713	SENSING HEAD FINAL ASSY	1.0000	EA							
2	451323	FIELD STOP .044DIA	1.0000	EA				3709	05-17-1996		
2	C11201/01	SEE EXTENDED DESCRIPTION	0.0000	EA							
2	990300005	RETAINING RING 7/16 OD, .2	1.0000	EA				3709	05-17-1996		
2	431442	DET. LOCATOR MOD2	1.0000	EA				3709	05-17-1996		
2	C11209-R707	SH DETECTOR ASSEMBLY E HD	1.0000	EA				3709	05-17-1996		
3	LR721-D	DET ASSY FOR SPL# R721	1.0000	EA				3770	08-21-1996		
4	LR721-D/01	SEE EXTENDED DESCRIPTION	0.0000	EA							
4	431432	DET. HOLDER MR20 SERIES	1.0000	EA							
4	640552	FILTER, BANDPASS	1.0000	EA							
4	590942	DETECTOR InGaAs 1.6u	1.0000	EA							
4	LR721-D/02	SEE EXTENDED DESCRIPTION	0.0000	EA							
4	560372	CABLE PVC 1 COND SHIELD 2	3.0000	IN							
4	312430100	WIRE 24AWG BARE SOLID	1.0000	IN							
4	430292	CONN. GASKET 2000 SERIES	1.0000	EA							
4	575892	CONN. CIRC 3 RECPT 10SL-3	1.0000	EA							
4	490042	SPRING DETECTOR RETAINER	1.0000	EA							
4	630092	FOLDING MIRROR SH MROA SE	1.0000	EA							
4	490032	SPRING FOLDING MIRROR MOD	1.0000	EA							
4	200204130	SCREW #2-56 X 1/8 PH SLOT	1.0000	EA							
4	990100016	EPOXY HARDMAN #4001 3-5 M	1.0000	EA							
4	3214G00X0	TUBING #14 PVC CLEAR	1.0000	IN							
2	447352	SENSOR, E-HEAD	1.0000	EA				3709	05-17-1996		
2	610432	EYE LENS FOR A HEAD	1.0000	EA				3709	05-17-1996		
2	990100002	EPOXY HARDMAN #4005 GEN P	1.0000	EA				3709	05-17-1996		
2	447372	FIELD STOP, .312 DIA	1.0000	EA				3709	05-17-1996		
2	447382	FIELD STOP, .437 DIA	1.0000	EA				3709	05-17-1996		
2	610402	LENS PLANO CONVEX 30" F/L	1.0000	EA				3709	05-17-1996		
2	431752	O RING 13/16 X 1/16 TH 70	1.0000	EA				3709	05-17-1996		
2	447362	LENS RING E-HEAD SENSOR	1.0000	EA				3709	05-17-1996		
2	200412440	SCREW #4-40 X 3/8 FIL SLO	4.0000	EA				3709	05-17-1996		
2	220403200	WASHER #4 LOCK SPLIT RING	4.0000	EA				3709	05-17-1996		
2	454152	SCREW, ADJUSTMENT,	1.0000	EA				3709	05-17-1996		
2	433372	O RING 3/32 X 7/32 X 1/16	1.0000	EA				3709	05-17-1996		
2	220602200	WASHER #6 LOCK EXT TOOTH	1.0000	EA				3709	05-17-1996		
2	200606040	SCREW #6-32 X 3/16 PH SLO	1.0000	EA				3709	05-17-1996		
2	C11201/02	SEE EXTENDED DESCRIPTION	0.0000	EA							
2	443502	RETAINING NUT	1.0000	EA				3709	05-17-1996		
2	477142	LABEL, SERIAL NUMBER, SEN	1.0000	EA				3709	05-17-1996		
2	474772	LABEL GROUND WARNING	1.0000	EA				3709	05-17-1996		
2	T-C11201-1	DETERMINE IF CABLE IS REQ	0.0000	EA				3709	05-17-1996		
2	C11201/03	SEE EXTENDED DESCRIPTION	0.0000	EA							
2	999900013	CAP PLUG #SC-1-1/4	1.0000	EA				3709	05-17-1996		
2	990100028	SEALANT RTV SILICONE BLAC	1.0000	EA				3709	05-17-1996		
2	999900014	STEM BUMPER 3/8OD .275T	1.0000	EA				3709	05-17-1996		

R729 (SENSOR ONLY)

Acknowledgment



IRCON, INC.
7300 N. Natchez Ave.
Niles, IL 60714 USA

Phone 847-967-5151
Toll Free 800-323-7660
Fax 847-647-0948

SOLD TO _____ CUSTOMER NO. 100426

IRCON B.V.
DATABANKWEG 6 C
3821 AL AMERSFOORT
THE NETHERLANDS

SHIPPING ADDRESS _____ TAX CODE NO TAX

IRCON B.V.
DATABANKWEG 6 C
3821 AL AMERSFOORT
THE NETHERLANDS

PNE99-99C

REQUEST DATE (MM-DD-YY) 10-31-03 PROMISE DATE (MM-DD-YY) 10-31-03

OUR ORDER NO. 83830 ORDER DATE (MM-DD-YY) 10-27-03

YOUR ORDER NO. 200340481

TERMS 0.00/0/180

QUOTE # _____

F.O.B. ORIGIN

CODE 1001 (100.00)

VIA EXEL

SPECIAL SHIPPING INSTRUCTIONS REF: A-83299/Y-2223

LI	PART NO.	DESCRIPTION	QTY	DSCNT %	UNIT PRICE	AMOUNT
1	DN#18702 <i>W.O.#14842</i>	DN_DNE31-13C IRCON INFRARAIL IRT SYSTEM-COMLETE Consists of the following: 1.0000 - INFRARAIL 1.0000 - DN - E SERIES 1.0000 - Std Cbl Lgth 4 meters. 12ft 6.6000 - Add Cbl Lgth in ft 1.0000 - D/100 RESOLUTION (E) 1.0000 - 800-1300C DN_DNE31-13C <i>Reorder No R729 Temp range 450-1050C Discovery + cable Break alarm</i>	1	0.00	682.60	682.60
2	MOD-CHARGES	MODIFICATION OF PRODUCT	1	0.00	84.83	84.83
3	L11201	KIT CABLE E/F INT/EXT - S PVC - INFRARAIL	4	0.00	63.62	10/27 254.48
GRAND TOTAL						ECU1,021.91

THIS ORDER IS ACCEPTED SUBJECT TO TERMS AND CONDITIONS SHOWN ON THIS AND THE REVERSE SIDE

SHIP TO: IRCON, INC.
7300 N. NATCHEZ AVE.
NILES, IL 60714 USA

IF TAX EXEMPT, PLEASE PROVIDE COPY OF EXEMPTION OR DIRECT PAYMENT CERTIFICATE.



IRCON, INC.
7300 North Natchez Avenue
Niles, Illinois 60714 USA

Telephone 847-967-5151
Toll Free 800-323-7660
Fax 847-647-0948

ISO 9001/QS 9000 TE
Quality Systems Certified

Modified Standard Product
Data Form

A modified standard product is a product that is based on a standard product found in the most recent price list. The modifications maybe items such as; temperature ranges, output types, resolution, response time and optical issues. A modified standard product form is to be completed and submitted to Steve Schumm and Gene Kalley for review and approval based on the modification (which we have done before). If the modification has not been done before, the approval will require the entire senior management team's approval BEFORE QUOTING. A modified standard product if approved; this product will become a price listed standard product. We can then pay commission as outlined in our most recent contract.

- Standard Product is a Model Number: DNE31-13C
- Standard Product List Price: 900
- The product change requested would be: Reds R729
4504, 1050C D18 *Sales will attach specifics to this form.*
- The market is willing to pay: 1000 for this product (total including standard price).
- What is engineering's expected time investment and cost: 1 hour Man Days
\$ 100.00
- What is production's expected purchasing and production time requirement: _____ Days
- This new product has potential in the following application and estimated potential per year would be _____ per year:

- This product will be not be _____ quoted and produced as previously outlined.
- Agreed on this date of _____ By production/purchasing _____
By engineering A. DONADO 10/27/03
- Sales can now quote this project for \$ _____ per unit. W.O. # 14842
_____ lead time.

_____ Add to standard product list in literature (Maxine)
_____ Add to price list (Vern)
cc/ Greg P, Paul V, Regional Sales Staff Globally

W.O.# 13965

Number :DN-EM#16901 - IRCON INFRARAIL IRT SO-LI: 82840*3

Level	Part Number	Description	Quantity	UM	Alt	MB X	ECO No.	ECO Date	Start Use	End Use
1	DN2DN	DN PRICES	1.0000	EA		M P				
1	D11191	INFRARAIL BOX ASSEMBLY	1.0000	EA		M P				
2	433332	ENCLOSURE, DIN BOX, MODIF	1.0000	EA		B	3671	04-08-1996		
2	C11187	POWER SUPPLY/ PEAK-PICKER	1.0000	EA		M P	3671	04-08-1996		
3	C20212	SCHEMATIC: POWER SUPPLY/	1.0000	EA		M P	4202	01-14-1999		
3	LDN200	PWR SUPPLY/ PP PCB ASSY	1.0000	EA		M P	4202	01-14-1999		
4	502505	PCB DIN RAIL POWER PEAK-P	1.0000	EA		B	3769	08-05-1996		
4	LDN200/01	SEE EXTENDED DESCRIPTION	0.0000	EA		M P				
4	533082	TRAN. MJE800 NPN - DARLIN	1.0000	EA		B	3769	08-05-1996		
4	LDN200/02	SEE EXTENDED DESCRIPTION	0.0000	EA		M P				
4	LDN200/03	SEE EXTENDED DESCRIPTION	0.0000	EA		M P				
4	530882	DIODE 1N4002 GP RECTIFIER	1.0000	EA		B	3769	08-05-1996		
4	532952	OP-AMP ULTRA LOW BIAS	2.0000	EA		B	3769	08-05-1996		
4	532322	IC 4053B ANALOG MUX/DEMUX	1.0000	EA		B	4842	07-31-2002		
4	531862	OP-AMP LM346N PROGRAM QUA	1.0000	EA		B	3769	08-05-1996		
4	102493011	RES. 249K OHM MF 1/4W 1%	1.0000	EA		B	3769	08-05-1996		
4	103321011	RES. 3.32K OHM MF 1/4W 1%	1.0000	EA		B	3769	08-05-1996		
4	101820011	RES. 182 OHM MF 1/4W 1%	1.0000	EA		B	3769	08-05-1996		
4	104421011	RES. 4.42K OHM MF 1/4W 1%	1.0000	EA		B	3769	08-05-1996		
4	106654011	RES. 6.65M OHM MF 1/4W 1%	1.0000	EA		B	3769	08-05-1996		
4	104993011	RES. 499K OHM MF 1/4W 1%	1.0000	EA		B	3769	08-05-1996		
4	104021011	RES. 4.02K OHM MF 1/4W 1%	1.0000	EA		B	3769	08-05-1996		
4	105364011	RES. 5.36M OHM MF 1/4W 1%	2.0000	EA		B	3769	08-05-1996		
4	103480011	RES. 348 OHM MF 1/4W 1%	1.0000	EA		B	3769	08-05-1996		
4	100000990	JUMPER DUMMY RESISTOR	5.0000	EA		B	3769	08-05-1996		
4	101000011	RES. 100 OHM MF 1/4W 1%	1.0000	EA		B	3769	08-05-1996		
4	101003011	RES. 100K OHM MF 1/4W 1%	1.0000	EA		B	3769	08-05-1996		
4	101004011	RES. 1.00M OHM MF 1/4W 1%	4.0000	EA		B	3769	08-05-1996		
4	102003011	RES. 200K OHM MF 1/4W 1%	2.0000	EA		B	3769	08-05-1996		
4	104991011	RES. 4.99K OHM MF 1/4W 1%	1.0000	EA		B	3769	08-05-1996		
4	101503011	RES. 150K OHM MF 1/4W 1%	1.0000	EA		B				
4	530572	DIODE 1N4446 SWITCHING	2.0000	EA		B	4906	05-19-2003		
4	530532	DIODE FD300 GENERAL PURPO	1.0000	EA		B	3769	08-05-1996		
4	521852	CAP. 0.68 MFD 50V CERAMIC	1.0000	EA		B	3769	08-05-1996		
4	521972	CAP. .047 MFD 50V CER X7	1.0000	EA		B	3769	08-05-1996		
4	521072	CAP. 22MFD 16V TANT 10%	2.0000	EA		B	3769	08-05-1996		
4	551122	CHOKO 9250-122 1.2 UH, .1	2.0000	EA		B	3769	08-05-1996		
4	521902	CAP. NPO 1000pf 200V .2LS	1.0000	EA		B	3769	08-05-1996		
4	521862	CAP. 3.3 MFD 50V CERAMC X	1.0000	EA		B	3769	08-05-1996		
4	521872	CAP. 1.0 MFD 50V CERAMIC	5.0000	EA		B	3769	08-05-1996		
4	522002	CAP. .01 MFD 200V CERAMIC	6.0000	EA		B	3769	08-05-1996		
4	531892	REG. LM317LZ +1.2/37V ADJ	1.0000	EA		B	3769	08-05-1996		
4	431902	BIVAR PERMO PAD 0.250 DIA	1.0000	EA		B	3769	08-05-1996		
4	530862	TRAN. 2N2222A NPN MED POW	1.0000	EA		B	3769	08-05-1996		
4	551152	INDUCTOR 100UH +/-10% IMS	2.0000	EA		B	3769	08-05-1996		
4	531882	DIODE LM385BZ-2.5 2.5V RE	6.0000	EA		B	3769	08-05-1996		
4	575602	CONN. HDR AMP STRAIGHT 5	1.0000	EA		B	3769	08-05-1996		
4	574592	CONN. HDR AMP STRAIGHT 4	1.0000	EA		B	3769	08-05-1996		
4	LDN200/04	SEE EXTENDED DESCRIPTION	0.0000	EA		M P				
4	572732	HEADER SNGL 36 PIN .1 CNT	11.0000	EA		B	3769	08-05-1996		
4	LDN200/05	SEE EXTENDED DESCRIPTION	0.0000	EA		M P				
2	C11186	PREAMP/ LINEARIZER PCB AS	1.0000	EA		M P	3671	04-08-1996		
3	C20211	SCHEMATIC: PREAMP/ LINEAR	1.0000	EA		M P	4785	03-05-2002		
3	LDN100	PREAMP/ LIN PCB ASSY INFR	1.0000	EA		M P	3659	04-12-1996		
4	502493	PCB DIN RAIL LINEARIZER	1.0000	EA		B	3767	08-07-1996		
4	LDN100/01	SEE EXTENDED DESCRIPTION	0.0000	EA		M P				
4	LDN100/02	SEE EXTENDED DESCRIPTION	0.0000	EA		M P				
4	532982	OP-AMP AD548CQ LOW PWR	1.0000	EA		B	3767	08-07-1996		
4	531862	OP-AMP LM346N PROGRAM QUA	3.0000	EA		B	3767	08-07-1996		
4	530532	DIODE FD300 GENERAL PURPO	16.0000	EA		B	3767	08-07-1996		
4	514632	RES. 330K NETWORK 10 PIN	2.0000	EA		B	3767	08-07-1996		
4	514642	RES. 330K NETWORK 10 PIN	2.0000	EA		B	3767	08-07-1996		
4	104533011	RES. 453K OHM MF 1/4W 1%	1.0000	EA		B	3767	08-07-1996		
4	1010R0011	RES. 10.0 OHM MF 1/4W 1%	1.0000	EA		B	3767	08-07-1996		
4	102743011	RES. 274K OHM MF 1/4W 1%	1.0000	EA		B	3767	08-07-1996		
4	102103011	RES. 210K OHM MF 1/4W 1%	1.0000	EA		B	3767	08-07-1996		
4	105364011	RES. 5.36M OHM MF 1/4W 1%	6.0000	EA		B	3767	08-07-1996		
4	101002011	RES. 10.0K OHM MF 1/4W 1%	1.0000	EA		B	3767	08-07-1996		

R 729 (MODULE ONLY)

Number :DN-EM#16901 - IRCON INFRARAIL IRT SO-LI: 82840*3

Level	Part Number	Description	Quantity	UM	Alt	MB X	ECO No.	ECO Date	Start Use	End Use
4	101003011	RES. 100K OHM MF 1/4W 1%	1.0000	EA		B	3767	08-07-1996		
4	102003011	RES. 200K OHM MF 1/4W 1%	2.0000	EA		B	3767	08-07-1996		
4	101000011	RES. 100 OHM MF 1/4W 1%	2.0000	EA		B	3767	08-07-1996		
4	100000990	JUMPER DUMMY RESISTOR	1.0000	EA		B	3767	08-07-1996		
4	551122	CHOKO 9250-122 1.2 UH, .1	1.0000	EA		B	3767	08-07-1996		
4	540412	FERRITE BEAD ON LEAD AXIA	3.0000	EA		B	3767	08-07-1996		
4	522002	CAP. .01 MFD 200V CERAMIC	7.0000	EA		B	3767	08-07-1996		
4	521902	CAP. NPO 1000pf 200V .2LS	2.0000	EA		B	3767	08-07-1996		
4	521932	CAP. 100 PF COG 200V	1.0000	EA		B	3767	08-07-1996		
4	521962	CAP. 10Pf NPO 200V .2LS	2.0000	EA		B	3767	08-07-1996		
4	514612	POT. 50K 25T 1/2W 10%	1.0000	EA		B	3767	08-07-1996		
4	514242	POT. 25K OHM 25T 1/2W 10%	1.0000	EA		B	3767	08-07-1996		
4	514622	POT. 100K 25T 1/2W 10%	1.0000	EA		B	3767	08-07-1996		
4	574922	CONN. HDR AMP STRAIGHT 3	1.0000	EA		B	3767	08-07-1996		
4	LDN100/03	SEE EXTENDED DESCRIPTION	0.0000	EA		M P				
4	574432	SOCKET 40 POS DIP .5HT EL	1.0000	EA		B	3767	08-07-1996		
4	LDN100/04	SEE EXTENDED DESCRIPTION	0.0000	EA		M P				
4	526002	CAP. SMC 330Pf NPO 50V 5%	1.0000	EA		B	3767	08-07-1996		
4	572732	HEADER SNGL 36 PIN .1 CNT	11.0000	EA		B	3767	08-07-1996		
4	LDN100/05	SEE EXTENDED DESCRIPTION	0.0000	EA		M P				
2	C11193	PCB INTERCONNECT ASSEMBLY	1.0000	EA		M P	3671	04-08-1996		
3	LDN300	PCB INTERCONN ASSY (INFRA	1.0000	EA		M P				
4	502533	PCB DIN RAIL POWER PEAK-P	1.0000	EA		B	3721	08-01-1996		
4	575922	CONN. FEMALE 11 POSITION	2.0000	EA		B	3721	08-01-1996		
2	477112	LABEL, COVER, DIN BOX	1.0000	EA		B	3671	04-08-1996		
2	C11190	DECAY RATE POT/ CONNECTOR	1.0000	EA		M P	3671	04-08-1996		
3	LDN003	DECAY RATE POT/ CONN. ASS	1.0000	EA		M P	4030	10-08-1997		
4	514592	POT. 50K OHM 1T 1/2W 10%	1.0000	EA		B				
4	LDN003/01	SEE EXTENDED DESCRIPTION	0.0000	EA		M P				
4	302479000	WIRE 24AWG VIO/WHITE STRA	1.0000	IN		B				
4	302409000	WIRE 24AWG BLK/WHITE STRA	1.0000	IN		B				
4	302459000	WIRE 24AWG GRN/WHITE STRA	1.0000	IN		B				
4	574662	CONN. CONTACT 20-24 AWG C	3.0000	EA		B				
4	574692	CONN. HOUSING 5 POSITION-	1.0000	EA		B				
2	C11189	RESPONSE TIME POT/ CONNEC	1.0000	EA		M P	3671	04-08-1996		
3	LDN002	RESP. TIME POT/ CONN. ASS	1.0000	EA		M P				
4	514602	POT. 5M OHM 1T 1/2W 20% P	1.0000	EA		B				
4	302440000	WIRE 24AWG YEL/BLACK STRA	1.0000	IN		B				
4	302460000	WIRE 24AWG BLU/BLACK STRA	1.0000	IN		B				
4	302430000	WIRE 24AWG ORG/BLACK STRA	1.0000	IN		B				
4	574662	CONN. CONTACT 20-24 AWG C	3.0000	EA		B				
4	574682	CONN. HOUSING 4 POSITION-	1.0000	EA		B				
2	C11188	EMISSIVITY POT/ CONNECTOR	1.0000	EA		M P	3671	04-08-1996		
3	LDN001	EMISSIVITY POT/ CONN. ASS	1.0000	EA		M P	3767	08-07-1996		
4	513722	POT. 100K 2 DIGIT 1% DIGI	1.0000	EA		B	3767	08-07-1996		
4	30245X000	WIRE 24AWG GREEN STRANDED	1.0000	IN		B	3767	08-07-1996		
4	30249X000	WIRE 24AWG WHITE STRANDED	1.0000	IN		B	3767	08-07-1996		
4	30246X000	WIRE 24AWG BLUE STRANDED	1.0000	IN		B	3767	08-07-1996		
4	574662	CONN. CONTACT 20-24 AWG C	3.0000	EA		B	3767	08-07-1996		
4	574672	CONN. HOUSING 3 POSITION-	1.0000	EA		B	3767	08-07-1996		
4	477212	LABEL - CLEAR WINDOW	1.0000	EA		B	3767	08-07-1996		
2	575852	KNOB, 9MM COLLET TYPE,	2.0000	EA		B	3671	04-08-1996		
2	575872	POINTER, 9MM COLLET TYPE	2.0000	EA		B	3671	04-08-1996		
2	575862	CAP. 9MM COLLET TYPE KNOB	2.0000	EA		B	3671	04-08-1996		
2	C11194	MODULE ASSEMBLY - M1 - (I	1.0000	EA		M P	3671	04-08-1996		
3	573912	HEADER 40 PIN DIP .6 CENT	1.0000	EA		B				
3	T-C11194-1	SELECT "M1" MODULE VALUES	0.0000	EA		B				
3	T-C11194-3	GT M1 MODULE VALUES	0.0000	EA		B				
2	575912	CONN. KEYING ELEMENT (DN-	2.0000	EA		B	3671	04-08-1996		
2	477132	LABEL, SERIAL NUMBER, DIN	1.0000	EA		B	3671	04-08-1996		
2	477122	LABEL, DIN BOX, INFRARAIL	1.0000	EA		B	3671	04-08-1996		
2	574082	TERM. BLOCK JUMPER QUICK	1.0000	EA		B	3671	04-08-1996		
2	LDNKIT	MTG CLIP KIT FOR INFRARAI	1.0000	EA		M P	3671	04-08-1996		
3	990300010	CLIP MTG FOR DIN BOX	2.0000	EA		B	3694	04-17-1996		
3	LDNKIT/01	SEE EXTENDED DESCRIPTION	0.0000	EA		M P				
2	477182	LABEL-CE MARK (PRODUCTS)	1.0000	EA		B	3671	04-08-1996		
1	U-M1-R729	MODULE ASSY M1-INFRARAIL	1.0000	EA		M P				
2	102103011	RES. 210K OHM MF 1/4W 1%	1.0000	EA		B				

Number :DN-EM#16901 - IRCON INFRARAIL IRT SO-LI: 82840*3

.....Level.....	..Part Number..Description.....	.Quantity.	.UM.	Alt.	MB X	.ECO No.	.ECO Date.	.Start Use	.End Use..
2	101872011	RES. 18.7K OHM MF 1/4W 1%	1.0000	EA		B				
2	101243011	RES. 124K OHM MF 1/4W 1%	1.0000	EA		B				
2	101502011	RES. 15.0K OHM MF 1/4W 1%	1.0000	EA		B				
2	105902011	RES. 59.0K OHM MF 1/4W 1%	1.0000	EA		B				
2	101002011	RES. 10.0K OHM MF 1/4W 1%	1.0000	EA		B				
2	109532011	RES. 95.3K OHM MF 1/4W 1%	1.0000	EA		B				
2	106341011	RES. 6.34K OHM MF 1/4W 1%	1.0000	EA		B				
2	101583011	RES. 158K OHM MF 1/4W 1%	1.0000	EA		B				
2	103831011	RES. 3.83K OHM MF 1/4W 1%	1.0000	EA		B				
2	102743011	RES. 274K OHM MF 1/4W 1%	1.0000	EA		B				
2	102151011	RES. 2.15K OHM MF 1/4W 1%	1.0000	EA		B				
2	104873011	RES. 487K OHM MF 1/4W 1%	1.0000	EA		B				
2	101211011	RES. 1.21K OHM MF 1/4W 1%	1.0000	EA		B				
2	109093011	RES. 909K OHM MF 1/4W 1%	1.0000	EA		B				
2	106340011	RES. 634 OHM MF 1/4W 1%	1.0000	EA		B				
2	101744011	RES. 1.74M OHM MF 1/4W 1%	1.0000	EA		B				
2	103320011	RES. 332 OHM MF 1/4W 1%	1.0000	EA		B				
2	102870011	RES. 287 OHM MF 1/4W 1%	1.0000	EA		B				
2	103574011	RES. 3.57M OHM MF 1/4W 1%	1.0000	EA		B				

Acknowledgment



IRCON, INC.
7300 N. Natchez Ave.
Niles, IL 60714 USA

Phone 847-967-5151
Toll Free 800-323-7660
Fax 847-647-0948

SOLD TO CUSTOMER NO. 100426

IRCON B.V.
DATABANKWEG 6 C
3821 AL AMERSFOORT

THE NETHERLANDS

SHIPPING ADDRESS TAX CODE
NO TAX

IRCON B.V.
DATABANKWEG 6 C
3821 AL AMERSFOORT

THE NETHERLANDS

REQUEST DATE (MM-DD-YY) 06-13-03 PROMISE DATE (MM-DD-YY) 06-13-03

OUR ORDER NO. 82852 ORDER DATE (MM-DD-YY) 06-04-03

YOUR ORDER NO. 200340261

TERMS 0.00/0/180

QUOTE #

F.O.B. ORIGIN

CODE 1001 (100.00)

VIA UPS INTL

SPECIAL SHIPPING INSTRUCTIONS
REF: 22987/WA62342

49-99C

LI	PART NO.	DESCRIPTION	QTY	DSCNT %	UNIT PRICE	AMOUNT
1	DN-HO#16926 <i>W.O.#13987</i>	DN_DNE31-13C IRCON INFRARAIL IRT SENSING HEAD ONLY Consists of the following: 1.0000 - INFRARAIL HEAD ONLY 1.0000 - DN - E SERIES 1.0000 - D/100 RESOLUTION (E) 1.0000 - 800-1300C DN_DNE31-13C <i>Redo Special No R-729 Temp range 450-1050C D/50 Res + Cable Bracket alarm</i>	5	0.00	373.33	1866.65
2	DN-HO#16927	DN_DNFFA-11C IRCON INFRARAIL IRT SENSING HEAD ONLY Consists of the following: 1.0000 - INFRARAIL HEAD ONLY 1.0000 - DN- F SERIES 1.0000 - D/30 10FT FIB. OPT. 1.0000 - 700 TO 1100C 1.0000 - STD FOCUS LENS DN_DNFFA-11C <i>Eng Chg - \$50</i>	1	0.00	373.33	373.33
3	DN-HO#16928 <i>W.O.#13988</i>	DN_DNE31-13C <i>49-99C</i> IRCON INFRARAIL IRT SENSING HEAD ONLY Consists of the following: 1.0000 - INFRARAIL HEAD ONLY 1.0000 - DN - E SERIES 1.0000 - D/100 RESOLUTION (E) <i>Redo Spec. R 730 Temp range 375-850C D/50 Res + Cable Bracket alarm</i>	3	0.00	373.33	1119.99
					GRAND TOTAL	

THIS ORDER IS ACCEPTED SUBJECT TO TERMS AND CONDITIONS SHOWN ON THIS AND THE REVERSE SIDE

SHIP TO: IRCON, INC.
7300 N. NATCHEZ AVE.
NILES, IL 60714 USA

IF TAX EXEMPT, PLEASE PROVIDE COPY OF EXEMPTION OR DIRECT PAYMENT CERTIFICATE.

Acknowledgment



IRCON, INC.
7300 N. Natchez Ave.
Niles, IL 60714 USA

Phone 847-967-5151
Toll Free 800-323-7660
Fax 847-647-0948

SOLD TO _____ CUSTOMER NO. 100426

IRCON B.V.
DATABANKWEG 6 C
3821 AL AMERSFOORT

THE NETHERLANDS

SHIPPING ADDRESS _____ TAX CODE NO TAX

IRCON B.V.
DATABANKWEG 6 C
3821 AL AMERSFOORT

THE NETHERLANDS

REQUEST DATE (MM-DD-YY) _____ PROMISE DATE (MM-DD-YY)
06-13-03 06-13-03

OUR ORDER NO. _____ ORDER DATE (MM-DD-YY)
82852 06-04-03

YOUR ORDER NO. _____
200340261

TERMS _____
0.00/0/180

QUOTE # _____

F.O.B. _____
ORIGIN

CODE _____
1001 (100.00)

VIA _____
UPS INTL

SPECIAL SHIPPING INSTRUCTIONS _____
REF: 22987/WA62342

LI	PART NO.	DESCRIPTION	QTY	DSCNT %	UNIT PRICE	AMOUNT	
3	DN-HO#16928 (CONTINUED)	1.0000 - 800-1300C DN_DNE31-13C					
THIS ORDER IS ACCEPTED SUBJECT TO TERMS AND CONDITIONS SHOWN ON THIS AND THE REVERSE SIDE						GRAND TOTAL	ECU3,359.97

SHIP TO: IRCON, INC.
7300 N. NATCHEZ AVE.
NILES, IL 60714 USA

IF TAX EXEMPT, PLEASE PROVIDE COPY OF EXEMPTION OR DIRECT PAYMENT CERTIFICATE.

Acknowledgment



IRCON, INC.
7300 N. Natchez Ave.
Niles, IL 60714 USA

Phone 847-967-5151
Toll Free 800-323-7660
Fax 847-647-0948

SOLD TO _____ CUSTOMER NO. 004000

HERAEUS ELECTRO-NITE
AV. DELTA NO. 1400
PARQUE INDL SANTA MARIA
RAMOS ARIZPE
COAHUILA, CP 25900
MEXICO

SHIPPING ADDRESS _____ TAX CODE NO TAX

HERAEUS ELECTRO-NITE
% VILLARREAL LOGISTIC INC
8423 EL GATO RD SUITE A
EL PORTAL INDUSTRIAL PARK
LAREDO, TX 78045

REQUEST DATE (MM-DD-YY) 02-27-04 PROMISE DATE (MM-DD-YY) 02-27-04

OUR ORDER NO. 84633 ORDER DATE (MM-DD-YY) 02-10-04

YOUR ORDER NO. 04/10577

TERMS 0.00/0/30

QUOTE # _____

F.O.B. ORIGIN

CODE 1037 (100.00)

VIA UPS BLUE

SPECIAL SHIPPING INSTRUCTIONS _____

DNE91-99C

LI	PART NO.	DESCRIPTION	QTY	DSCNT %	UNIT PRICE	AMOUNT
1	DN#19878 <i>w.o.# 15545</i>	DN_DNE31-13C IRCON INFRARAIL IRT SYSTEM-COMLETE Consists of the following: 1.0000 - INFRARAIL 1.0000 - DN - E SERIES 1.0000 - Std Cbl Lgth 12ft 1.0000 - D/100 RESOLUTION (E) 1.0000 - 800-1300C DN_DNE31-13C P/N 943062	1	0.00	1744.00	1744.00
2	AA-4	Cust Part: 943063 AIR PURGE ACCESSORY INFRARAIL TYPE E	1	0.00	100.00	100.00
					GRAND TOTAL	USD1,844.00

*Reds Spec No R 729
Temp - 450-1050C
D/50 resolution
& cable break alarm*

*MSB 4/10
\$400*

THIS ORDER IS ACCEPTED SUBJECT TO TERMS AND CONDITIONS SHOWN ON THIS AND THE REVERSE SIDE

SHIP TO: IRCON, INC.
7300 N. NATCHEZ AVE.
NILES, IL 60714 USA

IF TAX EXEMPT, PLEASE PROVIDE COPY OF EXEMPTION OR DIRECT PAYMENT CERTIFICATE.



IRCON, INC.
7300 North Natchez Avenue
Niles, Illinois 60714 USA

Telephone 847-967-5151
Toll Free 800-323-7660
Fax 847-647-0948

ISO 9001/QS 9000 TE
Quality Systems Certified

Modified Standard Product
Data Form

A modified standard product is a product that is based on a standard product found in the most recent price list. The modifications maybe items such as; temperature ranges, output types, resolution, response time and optical issues. A modified standard product form is to be completed and submitted to Steve Schumm and Gene Kalley for review and approval based on the modification (which we have done before). If the modification has not been done before, the approval will require the entire senior management team's approval BEFORE QUOTING. A modified standard product if approved; this product will become a price listed standard product. We can then pay commission as outlined in our most recent contract.

- Standard Product is a Model Number: DNE31-13C
- Standard Product List Price: \$1344
- The product change requested would be: Redo R729

450-1050C, D/50 + Cable board Sales will attach specifics to this form.

- The market is willing to pay \$1744 for this product (total including standard price).
- What is engineering's expected time investment and cost: 1 hour Man Days
\$ 100.00
- What is production's expected purchasing and production time requirement: Days
- This new product has potential in the following application and estimated potential per year would be per year:

- This product will be not be quoted and produced as previously outlined.

- Agreed on this date of _____ By production/purchasing _____
By engineering A. DONADO 2/11/04
- Sales can now quote this project for \$ _____ per unit. W.O. #15545
_____ lead time.

_____ Add to standard product list in literature (Maxine)
_____ Add to price list (Vern)
cc/ Greg P, Paul V, Regional Sales Staff Globally

3/2/04
57563

Section 1 — GENERAL INFORMATION

1.5 PRODUCT MODIFICATION

IRCON InfraRail Model DNE99-99C is modified for a special temperature range of 450° to 1050°C, an optical resolution of D/50 with 30" focus and a wavelength of 1.49 - 1.6 μm per customer specifications. In addition, customer requires a special fault condition indicator that warns when the sensor cable is disconnected.

The special fault indication provides for a current output from the signal processor which exceeds 20 mAdc any time the sensor is disconnected from the signal processor.

This modified instrument may be used with all standard InfraRail options and accessories.

Details of this modification are retained in IRCON Engineering Files as InfraRail Special No. R729.

NOTE: Ircon, Inc. is the sole owner in all respects of any product or software modification or design herein specified.

R729

S/080738

Section 1 — GENERAL INFORMATION

1.5 PRODUCT MODIFICATION

IRCON InfraRail Model DNE99-99C is modified for a special temperature range of 450° to 1050°C, an optical resolution of D/50 with 30" focus and a wavelength of 1.49 - 1.6 μm per customer specifications. In addition, customer requires a special fault condition indicator that warns when the sensor cable is disconnected.

The special fault indication provides for a current output from the signal processor which exceeds 20 mAdc any time the sensor is disconnected from the signal processor.

This modified instrument may be used with all standard InfraRail options and accessories.

Details of this modification are retained in IRCON Engineering Files as InfraRail Special No. R729.

NOTE: Ircon, Inc. is the sole owner in all respects of any product or software modification or design herein specified.

R729
A.D.
10/30/03

14842

Section 1 GENERAL INFORMATION

1.5 SPECIAL MODIFICATIONS

IRCON InfraRail Model DNE99-99C, is modified per customer request to have a special temperature range of 450 to 1050 degrees C, an optical resolution of D/50 with 30" fixed focus and a wavelength of 1.49 to 1.60 microns. In addition, the customer requires a special fault condition indicator that warns when the sensor cable is disconnected.

Special components are used in the sensor, and the instrument has been factory calibrated for linear operation throughout the special temperature range.

This modified instrument may be used with all standard InfraRail options and accessories.

Details of these modifications are retained in IRCON Engineering Files as InfraRail Special No. R729.

NOTE: Ircon Inc. is sole owner in all respects of any product or software modification or design herein specified.

Section 1 GENERAL INFORMATION

1.5 SPECIAL MODIFICATIONS

IRCON InfraRail Model DNE99-99C, is modified per customer request to have a special temperature range of 450 to 1050 degrees C, an optical resolution of D/50 with 30" fixed focus and a wavelength of 1.49 to 1.60 microns. In addition, the customer requires a special fault condition indicator that warns when the sensor cable is disconnected.

Special components are used in the sensor, and the instrument has been factory calibrated for linear operation throughout the special temperature range.

This modified instrument may be used with all standard InfraRail options and accessories.

Details of these modifications are retained in IRCON Engineering Files as InfraRail Special No. R729.

NOTE: Ircon Inc. is sole owner in all respects of any product or software modification or design herein specified.



IRCON, INC.
7300 North Natchez Avenue
Niles, Illinois 60714 USA

Telephone 847-967-5151
Toll Free 800-323-7660
Fax 847-647-0948

ISO 9001/ QS 9000 TE
Quality Systems Certified

Modified Standard Product Data Form

A modified standard product is a product that is based on a standard product found in the most recent price list. The modifications maybe items such as; temperature ranges, output types, resolution, response time and optical issues. A modified standard product form is to be completed and submitted to Steve Schumm and Gene Kalley for review and approval based on the modification (which we have done before). If the modification has not been done before, the approval will require the entire senior management team's approval BEFORE QUOTING. A modified standard product if approved; this product will become a price listed standard product. We can then pay commission as outlined in our most recent contract.

➤ Standard Product is a Model Number: DNE31-13C

➤ Standard Product List Price: \$ 1680

➤ The product change requested would be: Reels W 729

450-1050C, 2/50 Sales will attach specifics to this form.

➤ The market is willing to pay: 2180 for this product (total including standard price).

➤ What is engineering's expected time investment and cost: 1 hour Man Days
\$ 100.00

➤ What is production's expected purchasing and production time requirement: Days

➤ This new product has potential in the following application and estimated potential per year would be per year:

➤ This product will be not be quoted and produced as previously outlined.

➤ Agreed on this date of By production/purchasing

By engineering A. DONADO 3/10/04

➤ Sales can now quote this project for \$ per unit. W.O. #15750

 lead time.

 Add to standard product list in literature (Maxine)

 Add to price list (Vern)

cc/ Greg P, Paul V, Regional Sales Staff Globally

Acknowledgment



IRCON, INC.
7300 N. Natchez Ave.
Niles, IL 60714 USA

Phone 847-967-5151
Toll Free 800-323-7660
Fax 847-647-0948

REQUEST DATE (MM-DD-YY) **03-30-04** PROMISE DATE (MM-DD-YY) **03-30-04**

OUR ORDER NO. **84888** ORDER DATE (MM-DD-YY) **03-09-04**

YOUR ORDER NO. **4500400622**

TERMS **0.00/0/30**

QUOTE #

F.O.B. **ORIGIN**

CODE **1177 (100.00)**

VIA **UPS**

SPECIAL SHIPPING INSTRUCTIONS

SOLD TO CUSTOMER NO. **101630**

CAMBRIDGE-LEE INDUSTRIES
READING TUBE DIVISION
P.O. BOX 14026
READING, PA 19612

SHIPPING ADDRESS TAX CODE **NO TAX**

CAMBRIDGE-LEE INDUSTRIES
READING TUBE DIV. PLANT #4
82 TUBE DRIVE
READING, PA 19605

DNE99-99C

LI	PART NO.	DESCRIPTION	QTY	DSCNT %	UNIT PRICE	AMOUNT	
1	DN#20239 <i>W.O.# 15750</i>	DN_DNE31-13C IRCON INFRARAIL IRT SYSTEM-COMplete Consists of the following: 1.0000 - INFRARAIL 1.0000 - DN - E SERIES 1.0000 - Std Cbl Lgth 4 meters. 12ft 1.0000 - D/100 RESOLUTION (E) 1.0000 - 800-1300C DN_DNE31-13C	1	0.00	2180.00	2180.00	
					<i>Reals Spec. No R729</i>		
					<i>Temp 450 to 1050C</i>		
					<i>D/50 resolution</i>		
					<i>+ Cable Hook Alarm</i>		
					<i>M/B</i>		
					<i>7/10</i>		
					<i>Key Clg #403</i>		
THIS ORDER IS ACCEPTED SUBJECT TO TERMS AND CONDITIONS SHOWN ON THIS AND THE REVERSE SIDE						GRAND TOTAL	USD2,180.00

SHIP TO: IRCON, INC.
7300 N. NATCHEZ AVE.
NILES, IL 60714 USA

IF TAX EXEMPT, PLEASE PROVIDE COPY OF EXEMPTION OR DIRECT PAYMENT CERTIFICATE.

Acknowledgment



IRCON, INC.
7300 N. Natchez Ave.
Niles, IL 60714 USA

Phone 847-967-5151
Toll Free 800-323-7660
Fax 847-647-0948

SOLD TO _____ CUSTOMER NO. 006365

DAWON ENGINEERING
B-602, TWIN TOWER 275-4
YANGJAE-DONG, SUHCHO-KU
SEOUL,
KOREA

REQUEST DATE (MM-DD-YY) 06-14-04 PROMISE DATE (MM-DD-YY) 06-14-04

OUR ORDER NO. 85376 ORDER DATE (MM-DD-YY) 05-12-04

YOUR ORDER NO. D.E.-0405005

TERMS Cash in Advance

QUOTE # _____

F.O.B. ORIGIN

CODE 1083 (100.00)

VIA DHL COLLECT

SPECIAL SHIPPING INSTRUCTIONS _____

SHIPPING ADDRESS _____ TAX CODE NO TAX

DAWON ENGINEERING
B-602, TWIN TOWER 275-4
YANGJAE-DONG, SUHCHO-KU
SEOUL,
KOREA

DNE99-99C

LI	PART NO.	DESCRIPTION	QTY	DSCNT %	UNIT PRICE	AMOUNT
1	DN#21015 <i>W.O.# 16201</i>	DN_DNE31-13C IRCON INFRARAIL IRT SYSTEM-COMPLETE Consists of the following: 1.0000 - INFRARAIL 1.0000 - DN - E SERIES 1.0000 - Std Cbl Lgth 4 meters. 12ft 1.0000 - D/100 RESOLUTION (E) 1.0000 - 800-1300C DN_DNE31-13C	1	0.00	1784.00	1784.00
		<i>Redo special No R729 Temp 450 to 1050C P/SO + Break alarm</i>				
2	DN#21016 <i>W.O.# 16202</i>	DN_DNE31-136 IRCON INFRARAIL IRT SYSTEM-COMPLETE Consists of the following: 1.0000 - INFRARAIL 1.0000 - DN - E SERIES 1.0000 - Std Cbl Lgth 4 meters. 12ft 1.0000 - D/100 RESOLUTION (E) 1.0000 - 800-1300C DN_DNE31-13C	1	0.00	1784.00	1784.00
		<i>DNE99-99C Redo special No R730 Temp 375-850C P/SO + Break alarm</i>				
3	DN#21017 <i>W.O.# 16205</i>	DN_DNE31-13C IRCON INFRARAIL IRT SYSTEM-COMPLETE Consists of the following: 1.0000 - INFRARAIL 1.0000 - DN - E SERIES	1	0.00	1784.00	1784.00
		<i>DNE99-99C Redo spec No - R725 Temp 700-1100C single per unit 5402 1/2 5/12</i>				
					GRAND TOTAL	

THIS ORDER IS ACCEPTED SUBJECT TO TERMS AND CONDITIONS SHOWN ON THIS AND THE REVERSE SIDE

SHIP TO: IRCON, INC.
7300 N. NATCHEZ AVE.
NILES, IL 60714 USA

IF TAX EXEMPT, PLEASE PROVIDE COPY OF EXEMPTION OR DIRECT PAYMENT CERTIFICATE.

Acknowledgment



IRCON, INC.
7300 N. Natchez Ave.
Niles, IL 60714 USA

Phone 847-967-5151
Toll Free 800-323-7660
Fax 847-647-0948

SOLD TO _____ CUSTOMER NO. 006365

DAWON ENGINEERING
B-602, TWIN TOWER 275-4
YANGJAE-DONG, SUHCHO-KU
SEOUL,
KOREA

SHIPPING ADDRESS _____ TAX CODE NO TAX

DAWON ENGINEERING
B-602, TWIN TOWER 275-4
YANGJAE-DONG, SUHCHO-KU
SEOUL,
KOREA

REQUEST DATE (MM-DD-YY) _____ PROMISE DATE (MM-DD-YY)
06-14-04 06-14-04

OUR ORDER NO. _____ ORDER DATE (MM-DD-YY)
85376 05-12-04

YOUR ORDER NO. _____
D.E.-0405005

TERMS _____
Cash in Advance

QUOTE # _____

F.O.B. _____
ORIGIN

CODE _____
1083 (100.00)

VIA _____
DHL COLLECT

SPECIAL SHIPPING INSTRUCTIONS _____

LI	PART NO.	DESCRIPTION	QTY	DSCNT %	UNIT PRICE	AMOUNT
3	DN#21017 (CONTINUED)	1.0000 - Std Cbl Lgth 4 meters. 12ft 1.0000 - D/100 RESOLUTION (E) 1.0000 - 800-1300C DN_DNE31-13C				
					GRAND TOTAL	USD5,352.00

THIS ORDER IS ACCEPTED SUBJECT TO TERMS AND CONDITIONS SHOWN ON THIS AND THE REVERSE SIDE

SHIP TO: IRCON, INC.
7300 N. NATCHEZ AVE.
NILES, IL 60714 USA

IF TAX EXEMPT, PLEASE PROVIDE COPY OF EXEMPTION OR DIRECT PAYMENT CERTIFICATE.



IRCON, INC.
7300 North Natchez Avenue
Niles, Illinois 60714 USA

Telephone 847-967-5151
Toll Free 800-323-7660
Fax 847-647-0948

ISO 9001/QS 9000 TE
Quality Systems Certified

Modified Standard Product
Data Form

A modified standard product is a product that is based on a standard product found in the most recent price list. The modifications maybe items such as; temperature ranges, output types, resolution, response time and optical issues. A modified standard product form is to be completed and submitted to Steve Schumm and Gene Kalley for review and approval based on the modification (which we have done before). If the modification has not been done before, the approval will require the entire senior management team's approval BEFORE QUOTING. A modified standard product if approved; this product will become a price listed standard product. We can then pay commission as outlined in our most recent contract.

- Standard Product is a Model Number: DNE31-13C
- Standard Product List Price: \$ 1384 ea
- The product change requested would be: Prod Spec. R729, R730, R725

Temp ranges per Special Sales will attach specifics to this form.

- The market is willing to pay: 1784. for this product (total including standard price).
- What is engineering's expected time investment and cost: 1 HOUR Man Days
\$ 100.00
- What is production's expected purchasing and production time requirement: _____ Days
- This new product has potential in the following application and estimated potential per year would be _____ per year.

- This product will be not be _____ quoted and produced as previously outlined.

➤ Agreed on this date of _____ By production/purchasing _____

By engineering A.D. 5/13/04

➤ Sales can now quote this project for \$ _____ per unit. W.O.# 16201
_____ lead time. W.O.# 16202
W.O.# 16205

_____ Add to standard product list in literature (Maxine)
_____ Add to price list (Vern)

cc/ Greg P, Paul V, Regional Sales Staff Globally

R 729

S/O 87338

Section 1 – INFORMATION

1.5 PRODUCT MODIFICATION

IRCON InfraRail Model DNE99-99C is modified for a special temperature range of 450° to 1050°C, an optical resolution of D/50 with 30" focus and a wavelength of 1.49 - 1.6 mm per customer specifications. In addition, customer requires a special fault condition indicator that warns when the sensor cable is disconnected.

The special fault indication provides for a current output from the signal processor which exceeds 20 mAdc any time the sensor is disconnected from the signal processor.

This modified instrument may be used with all standard InfraRail options and accessories.

Details of this modification are retained in IRCON Engineering Files as InfraRail Special No. R729.

NOTE: Ircon, Inc. is the sole owner in all respects of any product or software modification or design herein specified.

R729

S/O 85600

Section 1 — GENERAL INFORMATION

1.5 PRODUCT MODIFICATION

IRCON InfraRail Model DNE99-99C is modified for a special temperature range of 450° to 1050°C, an optical resolution of D/50 with 30" focus and a wavelength of 1.49 - 1.6 μm per customer specifications. In addition, customer requires a special fault condition indicator that warns when the sensor cable is disconnected.

The special fault indication provides for a current output from the signal processor which exceeds 20 mAdc any time the sensor is disconnected from the signal processor.

This modified instrument may be used with all standard InfraRail options and accessories.

Details of this modification are retained in IRCON Engineering Files as InfraRail Special No. R729.

NOTE: Ircon, Inc. is the sole owner in all respects of any product or software modification or design herein specified.

Acknowledgment



IRCON, INC.
7300 N. Natchez Ave.
Niles, IL 60714 USA

Phone 847-967-5151
Toll Free 800-323-7660
Fax 847-647-0948

SOLD TO _____ CUSTOMER NO. 002066

MUELLER INDUSTRIES INC.
STANDARD PRODUCTS DIV
8285 TOURNAMENT DRIVE
SUITE 150, ACCTS PAYABLE
MEMPHIS, TN 38125

SHIPPING ADDRESS _____ TAX CODE NO TAX
MUELLER COPPER TUBE
400 MUELLER ROAD
FULTON, MS 38843

REQUEST DATE (MM-DD-YY) 06-08-04 PROMISE DATE (MM-DD-YY) 06-08-04

OUR ORDER NO. 85486 ORDER DATE (MM-DD-YY) 05-25-04

YOUR ORDER NO. F41316

TERMS 0.00/0/30

QUOTE # _____

F.O.B. ORIGIN

CODE 1009 (100.00)

VIA UPS

SPECIAL SHIPPING INSTRUCTIONS _____

DN#99-99C

LI	PART NO.	DESCRIPTION	QTY	DSCNT %	UNIT PRICE	AMOUNT
1	DN-HO#21172 <i>w.o. #16283</i>	DN_DNE31-13C IRCON INFRARAIL IRT SENSING HEAD ONLY Consists of the following: 1.0000 - INFRARAIL HEAD ONLY 1.0000 - DN - E SERIES 1.0000 - D/100 RESOLUTION (E) 1.0000 - 800-1300C DN_DNE31-13C	1	0.00	1270.00	1270.00
					GRAND TOTAL	USD1,270.00

*Redo Spec. No. R729
Temp 450-1050C
0/50 Resolution.
RAB/hg*

THIS ORDER IS ACCEPTED SUBJECT TO TERMS AND CONDITIONS SHOWN ON THIS AND THE REVERSE SIDE

SHIP TO: IRCON, INC.
7300 N. NATCHEZ AVE.
NILES, IL 60714 USA

IF TAX EXEMPT, PLEASE PROVIDE COPY OF EXEMPTION OR DIRECT PAYMENT CERTIFICATE.



IRCON, INC.
7300 North Natchez Avenue
Niles, Illinois 60714 USA

Telephone 847-967-5151
Toll Free 800-323-7660
Fax 847-647-0948

ISO 9001/QS 9000 TE
Quality Systems Certified

Modified Standard Product
Data Form

A modified standard product is a product that is based on a standard product found in the most recent price list. The modifications maybe items such as; temperature ranges, output types, resolution, response time and optical issues. A modified standard product form is to be completed and submitted to Steve Schumm and Gene Kalley for review and approval based on the modification (which we have done before). If the modification has not been done before, the approval will require the entire senior management team's approval BEFORE QUOTING. A modified standard product if approved; this product will become a price listed standard product. We can then pay commission as outlined in our most recent contract.

- Standard Product is a Model Number: DNE31-13C
- Standard Product List Price: \$970.-
- The product change requested would be: Reds R729
450 to 1050C + D/50 Sales will attach specifics to this form.
- The market is willing to pay \$1270 for this product (total including standard price).
- What is engineering's expected time investment and cost: 1 HOUR Man Days
\$ 100.00
- What is production's expected purchasing and production time requirement: _____ Days
- This new product has potential in the following application and estimated potential per year would be _____ per year:

- This product will be not be _____ quoted and produced as previously outlined.
- Agreed on this date of _____ By production/purchasing _____
By engineering A. DONADO 5/26-04
- Sales can now quote this project for \$ _____ per unit. W.O. 16283.
_____ lead time.

____ Add to standard product list in literature (Maxine)
____ Add to price list (Vern)
cc/ Greg P, Paul V, Regional Sales Staff Globally

W.O.#16283

Number :DN-HO#21172 - IRCON INFRARAIL IRT SO-LI: 85486*1

Level	Part Number	Description	Quantity	UM	Alt	MB X	ECO No.	ECO Date	Start Use	End Use
	DN1DNE	DN PRICES	1.0000	EA		M P				
1	C11201-R713	SENSING HEAD FINAL ASSY	1.0000	EA		M P				
2	451323	FIELD STOP .044DIA	1.0000	EA		B	3709	05-17-1996		
2	C11201/01	SEE EXTENDED DESCRIPTION	0.0000	EA		M				
2	990300005	RETAINING RING 7/16 OD,.2	1.0000	EA		B	3709	05-17-1996		
2	431442	DET. LOCATOR MOD2	1.0000	EA		B	3709	05-17-1996		
2	C11209-R707	SH DETECTOR ASSEMBLY E HD	1.0000	EA		M P	3709	05-17-1996		
3	LR721-D	DET ASSY FOR SPL# R721	1.0000	EA		M P	3770	08-21-1996		
4	LR721-D/01	SEE EXTENDED DESCRIPTION	0.0000	EA		M P				
4	431432	DET. HOLDER MR20 SERIES	1.0000	EA		B				
4	640552	FILTER, BANDPASS	1.0000	EA		B				
4	590942	DETECTOR InGaAs 1.6u	1.0000	EA		B				
4	LR721-D/02	SEE EXTENDED DESCRIPTION	0.0000	EA		M P				
4	560372	CABLE PVC 1 COND SHIELD 2	3.0000	IN		B				
4	312430100	WIRE 24AWG BARE SOLID	1.0000	IN		B				
4	430292	CONN. GASKET 2000 SERIES	1.0000	EA		B				
4	575892	CONN. CIRC 3 RECPT 10SL-3	1.0000	EA		B				
4	490042	SPRING DETECTOR RETAINER	1.0000	EA		B				
4	630092	FOLDING MIRROR SH MROA SE	1.0000	EA		B				
4	490032	SPRING FOLDING MIRROR MOD	1.0000	EA		B				
4	200204130	SCREW #2-56 X 1/8 PH SLOT	1.0000	EA		B				
4	990100016	EPOXY HARDMAN #4001 3-5 M	1.0000	EA		B				
4	3214G00X0	TUBING #14 PVC CLEAR	1.0000	IN		B				
2	447352	SENSOR, E-HEAD	1.0000	EA		B	3709	05-17-1996		
2	610432	EYE LENS FOR A HEAD	1.0000	EA		B	3709	05-17-1996		
2	990100002	EPOXY HARDMAN #4005 GEN P	1.0000	EA		B	3709	05-17-1996		
2	447372	FIELD STOP, .312 DIA	1.0000	EA		B	3709	05-17-1996		
2	447382	FIELD STOP, .437 DIA	1.0000	EA		B	3709	05-17-1996		
2	610402	LENS PLANO CONVEX 30" F/L	1.0000	EA		B	3709	05-17-1996		
2	431752	O RING 13/16 X 1/16 TH 70	1.0000	EA		B	3709	05-17-1996		
2	447362	LENS RING E-HEAD SENSOR	1.0000	EA		B	3709	05-17-1996		
2	200412440	SCREW #4-40 X 3/8 FIL SLO	4.0000	EA		B	3709	05-17-1996		
2	220403200	WASHER #4 LOCK SPLIT RING	4.0000	EA		B	3709	05-17-1996		
2	454152	SCREW, ADJUSTMENT,	1.0000	EA		B	3709	05-17-1996		
2	433372	O RING 3/32 X 7/32 X 1/16	1.0000	EA		B	3709	05-17-1996		
2	220602200	WASHER #6 LOCK EXT TOOTH	1.0000	EA		B	3709	05-17-1996		
2	200606040	SCREW #6-32 X 3/16 PH SLO	1.0000	EA		B	3709	05-17-1996		
2	C11201/02	SEE EXTENDED DESCRIPTION	0.0000	EA		M				
2	443502	RETAINING NUT	1.0000	EA		B	3709	05-17-1996		
2	477142	LABEL, SERIAL NUMBER, SEN	1.0000	EA		B	3709	05-17-1996		
2	474772	LABEL GROUND WARNING	1.0000	EA		B	3709	05-17-1996		
2	T-C11201-1	DETERMINE IF CABLE IS REQ	0.0000	EA		B	3709	05-17-1996		
2	C11201/03	SEE EXTENDED DESCRIPTION	0.0000	EA		M				
2	999900013	CAP PLUG #SC-1-1/4	1.0000	EA		B	3709	05-17-1996		
2	990100028	SEALANT RTV SILICONE BLAC	1.0000	EA		B	3709	05-17-1996		
2	999900014	STEM BUMPER 3/8OD .275T	1.0000	EA		B	3709	05-17-1996		

R 729

Acknowledgment



IRCON, INC.
7300 N. Natchez Ave.
Niles, IL 60714 USA

Phone 847-967-5151
Toll Free 800-323-7660
Fax 847-647-0948

SOLD TO _____ CUSTOMER NO. 101697

PHELPS DODGE H.P.C.
ATTN: ACCOUNTS PAYABLE
P O BOX 25089
PHOENIX, AZ 85002-5089

SHIPPING ADDRESS _____ TAX CODE NO TAX

P.D.H.P.C. - BAYWAY
PHELPS DODGE SPEC. PROD.
BAYWAY PLANT
713-743 AMBOY AVE.
BAYWAY, NJ 07202

REQUEST DATE (MM-DD-YY) 06-21-04 PROMISE DATE (MM-DD-YY) 06-21-04

OUR ORDER NO. 85600 ORDER DATE (MM-DD-YY) 06-07-04

YOUR ORDER NO. 122588

TERMS 0.00/0/30

QUOTE # _____

F.O.B. ORIGIN

CODE 1153 (100.00)

VIA UPS

SPECIAL SHIPPING INSTRUCTIONS _____

DNE99-99C

LI	PART NO.	DESCRIPTION	QTY	DSCNT %	UNIT PRICE	AMOUNT
1	DN#21339 <i>W.O.#16415</i>	DN_DNE31-13C IRCON INFRARAIL IRT SYSTEM-COMPLETE Consists of the following: 1.0000 - INFRARAIL 1.0000 - DN - E SERIES 1.0000 - Std Cbl Lgth 12ft 1.0000 - D/100 RESOLUTION (E) 1.0000 - 800-1300C DN_DNE31-13C	3	0.00	2180.00	6540.00
<i>Redo spec R 729 temp 450 to 1050 C, D/50 + Cable back alarm</i>						
<i>WAB 6/8</i>						
THIS ORDER IS ACCEPTED SUBJECT TO TERMS AND CONDITIONS SHOWN ON THIS AND THE REVERSE SIDE					GRAND TOTAL	USD6,540.00

SHIP TO: IRCON, INC.
7300 N. NATCHEZ AVE.
NILES, IL 60714 USA

IF TAX EXEMPT, PLEASE PROVIDE COPY OF EXEMPTION OR DIRECT PAYMENT CERTIFICATE.



IRCON, INC.
7300 North Natchez Avenue
Niles, Illinois 60714 USA

Telephone 847-967-5151
Toll Free 800-323-7660
Fax 847-647-0948

ISO 9001/QS 9000 TE
Quality Systems Certified

Modified Standard Product
Data Form

A modified standard product is a product that is based on a standard product found in the most recent price list. The modifications maybe items such as; temperature ranges, output types, resolution, response time and optical issues. A modified standard product form is to be completed and submitted to Steve Schumm and Gene Kalley for review and approval based on the modification (which we have done before). If the modification has not been done before, the approval will require the entire senior management team's approval BEFORE QUOTING. A modified standard product if approved; this product will become a price listed standard product. We can then pay commission as outlined in our most recent contract.

- Standard Product is a Model Number: DNE31-13C
 - Standard Product List Price: \$1680 ea
 - The product change requested would be: Redto R729
450-1050E, 0/50 + Cable Break *Sales will attach specifics to this form.*
 - The market is willing to pay: 2180 ea for this product (total including standard price).
 - What is engineering's expected time investment and cost: 1 hour Man Days
\$100.00
 - What is production's expected purchasing and production time requirement: Days
 - This new product has potential in the following application and estimated potential per year would be per year:
-
- This product will be not be quoted and produced as previously outlined.
 - Agreed on this date of By production/purchasing
By engineering A. DONADO 6/9/04
W.O. # 16415
 - Sales can now quote this project for \$ per unit.
 lead time.

 Add to standard product list in literature (Maxine)
 Add to price list (Vern)
cc/ Greg P, Paul V, Regional Sales Staff Globally

Acknowledgment



IRCON, INC.
7300 N. Natchez Ave.
Niles, IL 60714 USA

Phone 847-967-5151
Toll Free 800-323-7660
Fax 847-647-0948

SOLD TO _____ CUSTOMER NO. 002605

TANJORE CORPORATION
ATTN: ACCOUNTS PAYABLE
P O BOX 6037
LAREDO, TX 78042-6307

SHIPPING ADDRESS _____ TAX CODE NO TAX

TANJORE CORPORATION
8020 SAN LORENZO DRIVE
TEXAS INDUSTRIAL PARK II
LAREDO, TX 78045

REQUEST DATE (MM-DD-YY) 07-08-04 PROMISE DATE (MM-DD-YY) 07-08-04

OUR ORDER NO. 85705 ORDER DATE (MM-DD-YY) 06-18-04

YOUR ORDER NO. TI-414159

TERMS 0.00/0/30

QUOTE # _____

F.O.B. ORIGIN

CODE 1120 (100.00)

VIA UPS RED

SPECIAL SHIPPING INSTRUCTIONS _____

LI	PART NO.	DESCRIPTION	QTY	DSCNT %	UNIT PRICE	AMOUNT
1	JAVS079C	JAVELIN MODEL JAVS079C 7.5-8.5um,50 TO 600C,S.F.	1	0.00	999.00	999.00
2	DN#21479 <i>w.o.# 16496</i>	DN_DNE31-13C <i>DNE99-99C</i> IRCON INFRARAIL IRT SYSTEM-COMPLETE Consists of the following: 1.0000 - INFRARAIL 1.0000 - DN - E SERIES 1.0000 - Std Cbl Lgth 12ft 1.0000 - D/100 RESOLUTION (E) 1.0000 - 800-1300C DN_DNE31-13C <i>redo spec No R 729</i> <i>Temp Range 450 to</i> <i>D/50 rest Cable 10500</i> <i>Break alarm</i> <i>PNB</i> <i>6/24</i> <i>400</i>	2	0.00	2180.00	4360.00
GRAND TOTAL						USD5,359.00

THIS ORDER IS ACCEPTED SUBJECT TO TERMS AND CONDITIONS SHOWN ON THIS AND THE REVERSE SIDE

SHIP TO: IRCON, INC.
7300 N. NACHEZ AVE.
NILES, IL 60714 USA

IF TAX EXEMPT, PLEASE PROVIDE COPY OF
EXEMPTION OR DIRECT PAYMENT CERTIFICATE.



IRCON, INC.
7300 North Natchez Avenue
Niles, Illinois 60714 USA

Telephone 847-967-5151
Toll Free 800-323-7660
Fax 847-647-0948

ISO 9001/QS 9000 TE
Quality Systems Certified

Modified Standard Product
Data Form

A modified standard product is a product that is based on a standard product found in the most recent price list. The modifications maybe items such as; temperature ranges, output types, resolution, response time and optical issues. A modified standard product form is to be completed and submitted to Steve Schumm and Gene Kalley for review and approval based on the modification (which we have done before). If the modification has not been done before, the approval will require the entire senior management team's approval BEFORE QUOTING. A modified standard product if approved; this product will become a price listed standard product. We can then pay commission as outlined in our most recent contract.

- Standard Product is a Model Number: WE 31-13 C
 - Standard Product List Price: 1780
 - The product change requested would be: Model R5729
4570-1050C, 8/50 Sales will attach specifics to this form.
 - The market is willing to pay: 2280 for this product (total including standard price).
 - What is engineering's expected time investment and cost: 1 hour Man Days
\$ 100.00
 - What is production's expected purchasing and production time requirement: _____ Days
 - This new product has potential in the following application and estimated potential per year would be _____ per year:
-
- This product will be not be _____ quoted and produced as previously outlined.
 - Agreed on this date of _____ By production/purchasing _____
By engineering A. DONADO 6/22/04
w.o. # 16496
 - Sales can now quote this project for \$ _____ per unit.
_____ lead time.

____ Add to standard product list in literature (Maxine)
____ Add to price list (Vern)
cc/ Greg P, Paul V, Regional Sales Staff Globally

Acknowledgment



IRCON, INC.
7300 N. Natchez Ave.
Niles, IL 60714 USA

Phone 847-967-5151
Toll Free 800-323-7660
Fax 847-647-0948

SOLD TO _____ CUSTOMER NO. 100426

IRCON B.V.
DATABANKWEG 6 C
3821 AL AMERSFOORT

THE NETHERLANDS

SHIPPING ADDRESS _____ TAX CODE NO TAX

IRCON B.V.
DATABANKWEG 6 C
3821 AL AMERSFOORT

THE NETHERLANDS

REQUEST DATE (MM-DD-YY) 07-09-04 PROMISE DATE (MM-DD-YY) 07-09-04

OUR ORDER NO. 85825 ORDER DATE (MM-DD-YY) 07-02-04

YOUR ORDER NO. 200440329

TERMS 0.00/0/180

QUOTE # _____

F.O.B. ORIGIN

CODE 1001 (100.00)

VIA EXEL

SPECIAL SHIPPING INSTRUCTIONS
REF: 241216/WK24667

DNE99-99C

LI	PART NO.	DESCRIPTION	QTY	DSCNT %	UNIT PRICE	AMOUNT	
1	DN-HO#21668 <i>W.D.#16606</i>	DN_DNE31-13C IRCON INFRARAIL IRT SENSING HEAD ONLY Consists of the following: 1.0000 - INFRARAIL HEAD ONLY 1.0000 - DN - E SERIES 1.0000 - D/100 RESOLUTION (E) 1.0000 - 800-1300C DN_DNE31-13C	1	0.00	361.66	361.66	
2	DN-C#21669	CBDNSPVC INFRARAIL CABLE ONLY Consists of the following: 1.0000 - DN CB/CABLE ASSY'S 1.0000 - S SERIES CABLE/ASSY 1.0000 - PVC INTERC. CB ASSY 13.2000 - Meters conv. to feet CBDNSPVC		0.00	52.91	52.91	
THIS ORDER IS ACCEPTED SUBJECT TO TERMS AND CONDITIONS SHOWN ON THIS AND THE REVERSE SIDE						GRAND TOTAL	ECU414.57

*Redo [unclear] No R 729
Temp = 450-1050C
D/50 resolution
cable Breakalarm
[unclear] 7/6*

SHIP TO: IRCON, INC.
7300 N. NATCHEZ AVE.
NILES, IL 60714 USA

IF TAX EXEMPT, PLEASE PROVIDE COPY OF
EXEMPTION OR DIRECT PAYMENT CERTIFICATE.



IRCON, INC.
7300 North Natchez Avenue
Niles, Illinois 60714 USA

Telephone 847-967-5151
Toll Free 800-323-7660
Fax 847-647-0948

ISO 9001/QS 9000 TE
Quality Systems Certified

**Modified Standard Product
Data Form**

A modified standard product is a product that is based on a standard product found in the most recent price list. The modifications maybe items such as; temperature ranges, output types, resolution, response time and optical issues. A modified standard product form is to be completed and submitted to Steve Schumm and Gene Kalley for review and approval based on the modification (which we have done before). If the modification has not been done before, the approval will require the entire senior management team's approval BEFORE QUOTING. A modified standard product if approved; this product will become a price listed standard product. We can then pay commission as outlined in our most recent contract.

- Standard Product is a Model Number: ONE31-13C
 - Standard Product List Price: \$ 375
 - The product change requested would be: heads R 729
450-1000C, D/50 resolu *Sales will attach specifics to this form.*
 - The market is willing to pay: 375 for this product (total including standard price).
 - What is engineering's expected time investment and cost: 1 hour Man Days
\$ 100.00
 - What is production's expected purchasing and production time requirement: _____ Days
 - This new product has potential in the following application and estimated potential per year would be _____ per year:
-
- This product will be not be _____ quoted and produced as previously outlined.
 - Agreed on this date of _____ By production/purchasing _____
By engineering A. DONADO 7/6/04
w.o. # 16606
 - Sales can now quote this project for \$ _____ per unit.
_____ lead time.

____ Add to standard product list in literature (Maxine)
____ Add to price list (Vern)
cc/ Greg P, Paul V, Regional Sales Staff Globally



IRCON, INC.
7300 North Natchez Avenue
Niles, Illinois 60714 USA

Telephone 847-967-5151
Toll Free 800-323-7660
Fax 847-647-0948

ISO 9001/QS 9000 TE
Quality Systems Certified

Modified Standard Product
Data Form

A modified standard product is a product that is based on a standard product found in the most recent price list. The modifications maybe items such as; temperature ranges, output types, resolution, response time and optical issues. A modified standard product form is to be completed and submitted to Steve Schumm and Gene Kalley for review and approval based on the modification (which we have done before). If the modification has not been done before, the approval will require the entire senior management team's approval BEFORE QUOTING. A modified standard product if approved; this product will become a price listed standard product. We can then pay commission as outlined in our most recent contract.

- Standard Product is a Model Number: ONEB1-13C
- Standard Product List Price: \$ 375
- The product change requested would be: Reels R 729
4501050C, P/50 Cable Blowers *Sales will attach specifics to this form.*
- The market is willing to pay: 475 for this product (total including standard price).
- What is engineering's expected time investment and cost: 1 hour Man Days
\$ 100.00
- What is production's expected purchasing and production time requirement: _____ Days
- This new product has potential in the following application and estimated potential per year would be _____ per year:

-
- This product will be not be _____ quoted and produced as previously outlined.
 - Agreed on this date of _____ By production/purchasing _____
By engineering A. DONADO 8/20/04
 - Sales can now quote this project for \$ _____ per unit. W.O. # 16944
_____ lead time.

____ Add to standard product list in literature (Maxine)
____ Add to price list (Vern)
cc/ Greg P, Paul V, Regional Sales Staff Globally

Acknowledgment



IRCON, INC.
7300 N. Natchez Ave.
Niles, IL 60714 USA

Phone 847-967-5151
Toll Free 800-323-7660
Fax 847-647-0948

SOLD TO _____ CUSTOMER NO. 100426

IRCON B.V.
DATABANKWEG 6 C
3821 AL AMERSFOORT

THE NETHERLANDS

SHIPPING ADDRESS _____ TAX CODE NO TAX

IRCON B.V.
DATABANKWEG 6 C
3821 AL AMERSFOORT

THE NETHERLANDS

DNE31-13C

REQUEST DATE (MM-DD-YY) 09-03-04 PROMISE DATE (MM-DD-YY) 09-03-04

OUR ORDER NO. 86170 ORDER DATE (MM-DD-YY) 08-17-04

YOUR ORDER NO. 200440387

TERMS 0.00/0/180

QUOTE # _____

F.O.B. ORIGIN

CODE 1001 (100.00)

VIA EXEL

SPECIAL SHIPPING INSTRUCTIONS
REF: 242912/WK25010

LI	PART NO.	DESCRIPTION	QTY	DSCNT %	UNIT PRICE	AMOUNT	
1	DN-HO#22165 <i>W.O.# 16944</i>	DN_DNE31-13C IRCON INFRARAIL IRT SENSING HEAD ONLY Consists of the following: 1.0000 - INFRARAIL HEAD ONLY 1.0000 - DN - E SERIES 1.0000 - D/100 RESOLUTION (E) 1.0000 - 800-1300C DN_DNE31-13C	1	0.00	364.53	364.53	
2	MOD-CHARGES	MODIFICATION OF PRODUCT	1	0.00	82.85	82.85	
THIS ORDER IS ACCEPTED SUBJECT TO TERMS AND CONDITIONS SHOWN ON THIS AND THE REVERSE SIDE						GRAND TOTAL	ECU447.38

*Redo Spec R1729
Temp - 450-1050C
D/50 red + Cable Break alarm
RAB 8/12*

SHIP TO: IRCON, INC.
7300 N. NATCHEZ AVE.
NILES, IL 60714 USA

IF TAX EXEMPT, PLEASE PROVIDE COPY OF EXEMPTION OR DIRECT PAYMENT CERTIFICATE.

Acknowledgment



IRCON, INC.
7300 N. Natchez Ave.
Niles, IL 60714 USA

Phone 847-967-5151
Toll Free 800-323-7660
Fax 847-647-0948

SOLD TO CUSTOMER NO. 100426

IRCON B.V.
DATABANKWEG 6 C
3821 AL AMERSFOORT
THE NETHERLANDS

SHIPPING ADDRESS TAX CODE
NO TAX

IRCON B.V.
DATABANKWEG 6 C
3821 AL AMERSFOORT
THE NETHERLANDS

REQUEST DATE (MM-DD-YY) PROMISE DATE (MM-DD-YY)
01-07-05 01-07-05

OUR ORDER NO. ORDER DATE (MM-DD-YY)
87086 12-09-04

YOUR ORDER NO. 200440602

TERMS 0.00/0/180

QUOTE #

F.O.B. ORIGIN

CODE 1001 (100.00)

VIA EXEL

SPECIAL SHIPPING INSTRUCTIONS
REF: 247555/WK25720

LI	PART NO.	DESCRIPTION	QTY	DSCNT %	UNIT PRICE	AMOUNT
1	DN-HO#23569 <i>W.O.# 17732</i>	DN_DNE31-13C IRCON INFRARAIL IRT SENSING HEAD ONLY Consists of the following: 1.0000 - INFRARAIL HEAD ONLY 1.0000 - DN - E SERIES 1.0000 - D/100 RESOLUTION (E) 1.0000 - 800-1300C DN_DNE31-13C	1	0.00	331.21	331.21
2	MOD-CHARGES	MODIFICATION OF PRODUCT <i>Cable Break ALARM</i>	1	0.00	75.27	75.27
					GRAND TOTAL	ECU406.48

SHIP TO: IRCON, INC.
7300 N. NATCHEZ AVE.
NILES, IL 60714 USA

IF TAX EXEMPT, PLEASE PROVIDE COPY OF
EXEMPTION OR DIRECT PAYMENT CERTIFICATE.

Acknowledgment



IRCON, INC.
7300 N. Natchez Ave.
Niles, IL 60714 USA

Phone 847-967-5151
Toll Free 800-323-7660
Fax 847-647-0948

SOLD TO _____ CUSTOMER NO. 002605

TANJORE CORPORATION
ATTN: ACCOUNTS PAYABLE
P O BOX 6037
LAREDO, TX 78042-6307

SHIPPING ADDRESS _____ TAX CODE NO TAX

TANJORE CORPORATION
8020 SAN LORENZO DRIVE
LAREDO, TX 78045

REQUEST DATE (MM-DD-YY) 01-25-05 PROMISE DATE (MM-DD-YY) 01-25-05

OUR ORDER NO. 87271 ORDER DATE (MM-DD-YY) 01-07-05

YOUR ORDER NO. TI-448471

TERMS 0.00/0/30

QUOTE # _____

F.O.B. ORIGIN

CODE 1213 (100.00)

VIA UPS

SPECIAL SHIPPING INSTRUCTIONS _____

LI	PART NO.	DESCRIPTION	QTY	DSCNT %	UNIT PRICE	AMOUNT
1	JAVS079C	JAVELIN MODEL JAVS079C 7.5-8.5um, 50 TO 600C,S.F.	2	0.00	999.00	1998.00
2	DN#23838 <i>w.o. #17906</i>	<i>DNE99-99C</i> DN_DNE31-13C IRCON INFRARAIL IRT SYSTEM-COMplete Consists of the following: 1.0000 - INFRARAIL 1.0000 - DN - E SERIES 1.0000 - Std Cbl Lgth 12ft 1.0000 - D/100 RESOLUTION (E) 1.0000 - 800-1300C DN_DNE31-13C	1	0.00	2250.00	2250.00
<i>Reels Spec. No R1729 Temp 450-1050C D/50 resolution with cable break alarm</i>						
<i>RAB 1/27/06</i>						
THIS ORDER IS ACCEPTED SUBJECT TO TERMS AND CONDITIONS SHOWN ON THIS AND THE REVERSE SIDE					GRAND TOTAL	USD4,248.00

SHIP TO: IRCON, INC.
7300 N. NATCHEZ AVE.
NILES, IL 60714 USA

IF TAX EXEMPT, PLEASE PROVIDE COPY OF EXEMPTION OR DIRECT PAYMENT CERTIFICATE.



IRCON, INC.
7300 North Natchez Avenue
Niles, Illinois 60714 USA

Telephone 847-967-5151
Toll Free 800-323-7660
Fax 847-647-0948

ISO 9001/QS 9000 TE
Quality Systems Certified

Modified Standard Product Data Form

A modified standard product is a product that is based on a standard product found in the most recent price list. The modifications maybe items such as; temperature ranges, output types, resolution, response time and optical issues. A modified standard product form is to be completed and submitted to Steve Schumm and Gene Kalley for review and approval based on the modification (which we have done before). If the modification has not been done before, the approval will require the entire senior management team's approval BEFORE QUOTING. A modified standard product if approved; this product will become a price listed standard product. We can then pay commission as outlined in our most recent contract.

- Standard Product is a Model Number: DNE 31-13C
- Standard Product List Price: 1850
- The product change requested would be: Redo Spec. R5729
450-1000C, 1/50 Cable Brackets
Sales will attach specifics to this form.
- The market is willing to pay: 2250 for this product (total including standard price).
- What is engineering's expected time investment and cost: 1 HOUR Man Days
\$ 100.00
- What is production's expected purchasing and production time requirement: _____ Days
- This new product has potential in the following application and estimated potential per year would be _____ per year.

➤ This product will be not be _____ quoted and produced as previously outlined.

➤ Agreed on this date of _____ By production/purchasing _____
By engineering A. DONADO 11/10/05

➤ Sales can now quote this project for \$ _____ per unit. W.O.# 17906
_____ lead time.

____ Add to standard product list in literature (Maxine)
____ Add to price list (Vern)
cc/ Greg P, Paul V, Regional Sales Staff Globally

Acknowledgment



IRCON, INC.
7300 N. Natchez Ave.
Niles, IL 60714 USA

Phone 847-967-5151
Toll Free 800-323-7660
Fax 847-647-0948

SOLD TO CUSTOMER NO. 100426

IRCON B.V.
DATABANKWEG 6 C
3821 AL AMERSFOORT
THE NETHERLANDS

SHIPPING ADDRESS TAX CODE NO TAX

IRCON B.V.
DATABANKWEG 6 C
3821 AL AMERSFOORT
THE NETHERLANDS

REQUEST DATE (MM-DD-YY) 02-04-05 PROMISE DATE (MM-DD-YY) 02-04-05

OUR ORDER NO. 87338 ORDER DATE (MM-DD-YY) 01-18-05

YOUR ORDER NO. 200540034

TERMS 0.00/0/180

QUOTE #

F.O.B. ORIGIN

CODE 1001 (100.00)

VIA EXEL

SPECIAL SHIPPING INSTRUCTIONS REF: 10546/0105:3177/1204

DN E99-99C

LI	PART NO.	DESCRIPTION	QTY	DISCNT %	UNIT PRICE	AMOUNT
1	DN#23962 <i>Woo # 17985</i>	DN_DNE31-13C IRCON INFRARAIL IRT SYSTEM-COMplete Consists of the following: 1.0000 - INFRARAIL 1.0000 - DN - E SERIES 1.0000 - Std Cbl Lgth 4 meters. 12ft 1.0000 - D/100 RESOLUTION (E) 1.0000 - 800-1300C DN_DNE31-13C	1	0.00	588.57	588.57
2	MOD-CHARGES	MODIFICATION OF PRODUCT	1	0.00	73.57	73.57
3	AA-4	AIR PURGE ACCESSORY INFRARAIL TYPE E	1	0.00	62.54	62.54
					GRAND TOTAL	ECU724.68

Red 5 ppc R729
Temperature 450-1050C
D/50 resolution with cable break alarm

MS
118

SHIP TO: IRCON, INC.
7300 N. NATCHEZ AVE.
NILES, IL 60714 USA

IF TAX EXEMPT, PLEASE PROVIDE COPY OF EXEMPTION OR DIRECT PAYMENT CERTIFICATE.



IRCON, INC.
7300 North Natchez Avenue
Niles, Illinois 60714 USA

Telephone 847-967-5151
Toll Free 800-323-7660
Fax 847-647-0948

ISO 9001/QS 9000 TE
Quality Systems Certified

**Modified Standard Product
Data Form**

A modified standard product is a product that is based on a standard product found in the most recent price list. The modifications maybe items such as; temperature ranges, output types, resolution, response time and optical issues. A modified standard product form is to be completed and submitted to Steve Schumm and Gene Kalley for review and approval based on the modification (which we have done before). If the modification has not been done before, the approval will require the entire senior management team's approval BEFORE QUOTING. A modified standard product if approved; this product will become a price listed standard product. We can then pay commission as outlined in our most recent contract.

- Standard Product is a Model Number: DNE 31-13C
- Standard Product List Price: \$900
- The product change requested would be: Reels R729
- 450-10509 1/90, Cable BK Sales will attach specifics to this form.
- The market is willing to pay \$1000 for this product (total including standard price).
- What is engineering's expected time investment and cost: 1 hour Man Days
\$1000
- What is production's expected purchasing and production time requirement: _____ Days
- This new product has potential in the following application and estimated potential per year would be _____ per year:

- This product will be not be _____ quoted and produced as previously outlined.
- Agreed on this date of _____ By production/purchasing _____
By engineering A. DONADO 1/19/05
- Sales can now quote this project for \$ _____ per unit. W.O. # 17985
_____ lead time.

____ Add to standard product list in literature (Maxine)
____ Add to price list (Vern)
cc/ Greg P, Paul V, Regional Sales Staff Globally

R729

S/O 87271

Section 1 — GENERAL INFORMATION

1.5 PRODUCT MODIFICATION

IRCON InfraRail Model DNE99-99C is modified for a special temperature range of 450° to 1050°C, an optical resolution of D/50 with 30" focus and a wavelength of 1.49 - 1.6 μm per customer specifications. In addition, customer requires a special fault condition indicator that warns when the sensor cable is disconnected.

The special fault indication provides for a current output from the signal processor which exceeds 20 mAdc any time the sensor is disconnected from the signal processor.

This modified instrument may be used with all standard InfraRail options and accessories.

Details of this modification are retained in IRCON Engineering Files as InfraRail Special No. R729.

NOTE: Ircon, Inc. is the sole owner in all respects of any product or software modification or design herein specified.

W.O.#18777

Number :DN#25403 - IRCON INFRARAIL IRT SO-LI: 88247*1

Level	Part Number	Description	Quantity	UM	Alt	MB	X	ECO No.	ECO Date	Start Use	End Use
1	DNODNE	DN PRICES	1.0000	EA		M	P				
1	OK C11201-R713	SENSING HEAD FINAL ASSY	1.0000	EA		M	P				
2	451323	FIELD STOP .044DIA	1.0000	EA		B		3709	05-17-1996		
2	C11201/01	SEE EXTENDED DESCRIPTION	0.0000	EA		M					
2	990300005	RETAINING RING 7/16 OD, .2	1.0000	EA		B		3709	05-17-1996		
2	431442	DET. LOCATOR MOD2	1.0000	EA		B		3709	05-17-1996		
2	C11209-R707	SH DETECTOR ASSEMBLY E HD	1.0000	EA		M	P	3709	05-17-1996		
3	LR721-D	DET ASSY FOR SPL# R721	1.0000	EA		M	P	3770	08-21-1996		
4	LR721-D/01	SEE EXTENDED DESCRIPTION	0.0000	EA		M	P				
4	431432	DET. HOLDER MR20 SERIES	1.0000	EA		B					
4	640552	FILTER, BANDPASS	1.0000	EA		B					
4	590942	DETECTOR InGaAs 1.6u	1.0000	EA		B					
4	LR721-D/02	SEE EXTENDED DESCRIPTION	0.0000	EA		M	P				
4	560372	CABLE PVC 1 COND SHIELD 2	3.0000	IN		B					
4	312430100	WIRE 24AWG BARE SOLID	1.0000	IN		B					
4	430292	CONN. GASKET 2000 SERIES	1.0000	EA		B					
4	575892	CONN. CIRC 3 RECPT 10SL-3	1.0000	EA		B					
4	490042	SPRING DETECTOR RETAINER	1.0000	EA		B					
4	630092	FOLDING MIRROR SH MROA SE	1.0000	EA		B					
4	490032	SPRING FOLDING MIRROR MOD	1.0000	EA		B					
4	200204130	SCREW #2-56 X 1/8 PH SLOT	1.0000	EA		B					
4	990100016	EPOXY HARDMAN #4001 3-5 M	1.0000	EA		B					
4	3214G00X0	TUBING #14 PVC CLEAR	1.0000	IN		B					
2	447352	SENSOR, E-HEAD	1.0000	EA		B		3709	05-17-1996		
2	610432	EYE LENS FOR A HEAD	1.0000	EA		B		3709	05-17-1996		
2	990100002	EPOXY HARDMAN #4005 GEN P	1.0000	EA		B		3709	05-17-1996		
2	447372	FIELD STOP, .312 DIA	1.0000	EA		B		3709	05-17-1996		
2	447382	FIELD STOP, .437 DIA	1.0000	EA		B		3709	05-17-1996		
2	610402	LENS PLANO CONVEX 30" F/L	1.0000	EA		B		3709	05-17-1996		
2	431752	O RING 13/16 X 1/16 TH 70	1.0000	EA		B		3709	05-17-1996		
2	447362	LENS RING E-HEAD SENSOR	1.0000	EA		B		3709	05-17-1996		
2	200412440	SCREW #4-40 X 3/8 FIL SLO	4.0000	EA		B		3709	05-17-1996		
2	220403200	WASHER #4 LOCK SPLIT RING	4.0000	EA		B		3709	05-17-1996		
2	454152	SCREW, ADJUSTMENT,	1.0000	EA		B		3709	05-17-1996		
2	433372	O RING 3/32 X 7/32 X 1/16	1.0000	EA		B		3709	05-17-1996		
2	220602200	WASHER #6 LOCK EXT TOOTH	1.0000	EA		B		3709	05-17-1996		
2	200606040	SCREW #6-32 X 3/16 PH SLO	1.0000	EA		B		3709	05-17-1996		
2	C11201/02	SEE EXTENDED DESCRIPTION	0.0000	EA		M					
2	443502	RETAINING NUT	1.0000	EA		B		3709	05-17-1996		
2	477142	LABEL, SERIAL NUMBER, SEN	1.0000	EA		B		3709	05-17-1996		
2	474772	LABEL GROUND WARNING	1.0000	EA		B		3709	05-17-1996		
2	T-C11201-1	DETERMINE IF CABLE IS REQ	0.0000	EA		B		3709	05-17-1996		
2	C11201/03	SEE EXTENDED DESCRIPTION	0.0000	EA		M					
2	999900013	CAP PLUG #SC-1-1/4	1.0000	EA		B		3709	05-17-1996		
2	990100028	SEALANT RTV SILICONE BLAC	1.0000	EA		B		3709	05-17-1996		
2	999900014	STEM BUMPER 3/8OD .275T	1.0000	EA		B		3709	05-17-1996		
1	D11198	PVC-(INT/EXT-E/F SERIES) (1.0000	EA		M	P				
2	560052	CABLE PVC 2 COND 1100/200	1.0000	FT		B		3913	04-02-1997		
2	D11198/01	SEE EXTENDED DESCRIPTION	0.0000	EA		M					
2	D11198/02	SEE EXTENDED DESCRIPTION	0.0000	EA		M					
2	D11198/03	SEE EXTENDED DESCRIPTION	8.0000	EA		M					
2	575882	CONN. CIRC 10SL-3 BACKSHE	1.0000	EA		B		3913	04-02-1997		
2	3210G00X0	TUBING #10 PVC CLEAR	3.0000	IN		B		3913	04-02-1997		
2	3212G00X0	TUBING #12 PVC CLEAR	1.0000	IN		B		3913	04-02-1997		
2	575902	CONN. CIRC 10SL-3 STR PLU	1.0000	EA		B		3913	04-02-1997		
2	3216I1400	TUBING 1/4" SHRINKABLE BL	1.0000	IN		B		3913	04-02-1997		
2	990100027	ADHESIVE LOCTITE 272	1.0000	EA		B		3913	04-02-1997		
2	C-CABLE	DETERMINE CABLE LENGTH FR	1.0000	EA		M	P	3913	04-02-1997		
2	477202	LABEL INFRARAIL (2.0" X 0	1.0000	EA		B		3913	04-02-1997		
1	U-D11198-C	12 FEET OF CABLE	1.0000	EA		M	P				
2	560052	CABLE PVC 2 COND 1100/200	12.0000	FT		B					
1	OK U-M1-R729	MODULE ASSY M1-INFRARAIL	1.0000	EA		M	P				
2	102103011	RES. 210K OHM MF 1/4W 1%	1.0000	EA		B					
2	101872011	RES. 18.7K OHM MF 1/4W 1%	1.0000	EA		B					
2	101243011	RES. 124K OHM MF 1/4W 1%	1.0000	EA		B					
2	101502011	RES. 15.0K OHM MF 1/4W 1%	1.0000	EA		B					
2	105902011	RES. 59.0K OHM MF 1/4W 1%	1.0000	EA		B					
2	101002011	RES. 10.0K OHM MF 1/4W 1%	1.0000	EA		B					

R729

Number :DN#25403 - IRCON INFRARAIL IRT SO-LI: 88247*1

Level	Part Number	Description	Quantity	UM	Alt	MB X	ECO No.	ECO Date	Start Use	End Use
2	109532011	RES. 95.3K OHM MF 1/4W 1%	1.0000	EA		B				
2	106341011	RES. 6.34K OHM MF 1/4W 1%	1.0000	EA		B				
2	101583011	RES. 158K OHM MF 1/4W 1%	1.0000	EA		B				
2	103831011	RES. 3.83K OHM MF 1/4W 1%	1.0000	EA		B				
2	102743011	RES. 274K OHM MF 1/4W 1%	1.0000	EA		B				
2	102151011	RES. 2.15K OHM MF 1/4W 1%	1.0000	EA		B				
2	104873011	RES. 487K OHM MF 1/4W 1%	1.0000	EA		B				
2	101211011	RES. 1.21K OHM MF 1/4W 1%	1.0000	EA		B				
2	109093011	RES. 909K OHM MF 1/4W 1%	1.0000	EA		B				
2	106340011	RES. 634 OHM MF 1/4W 1%	1.0000	EA		B				
2	101744011	RES. 1.74M OHM MF 1/4W 1%	1.0000	EA		B				
2	103320011	RES. 332 OHM MF 1/4W 1%	1.0000	EA		B				
2	102870011	RES. 287 OHM MF 1/4W 1%	1.0000	EA		B				
2	103574011	RES. 3.57M OHM MF 1/4W 1%	1.0000	EA		B				
1	D11191	INFRARAIL BOX ASSEMBLY	1.0000	EA		M P				
2	433332	ENCLOSURE, DIN BOX, MODIF	1.0000	EA		B	3671	04-08-1996		
2	C11187	POWER SUPPLY/ PEAK-PICKER	1.0000	EA		M P	3671	04-08-1996		
3	C20212	SCHEMATIC: POWER SUPPLY/	1.0000	EA		M P	4202	01-14-1999		
3	LDN200	PWR SUPPLY/ PP PCB ASSY	1.0000	EA		M P	4202	01-14-1999		
4	502505	PCB DIN RAIL POWER PEAK-P	1.0000	EA		B	3769	08-05-1996		
4	LDN200/01	SEE EXTENDED DESCRIPTION	0.0000	EA		M P				
4	533082	TRAN. MJE800 NPN - DARLIN	1.0000	EA		B	3769	08-05-1996		
4	LDN200/02	SEE EXTENDED DESCRIPTION	0.0000	EA		M P				
4	LDN200/03	SEE EXTENDED DESCRIPTION	0.0000	EA		M P				
4	530882	DIODE 1N4002 GP RECTIFIER	1.0000	EA		B	3769	08-05-1996		
4	532952	OP-AMP ULTRA LOW BIAS	2.0000	EA		B	3769	08-05-1996		
4	532322	IC 4053B ANALOG MUX/DEMUX	1.0000	EA		B	4842	07-31-2002		
4	531862	OP-AMP LM346N PROGRAM QUA	1.0000	EA		B	3769	08-05-1996		
4	102493011	RES. 249K OHM MF 1/4W 1%	1.0000	EA		B	3769	08-05-1996		
4	103321011	RES. 3.32K OHM MF 1/4W 1%	1.0000	EA		B	3769	08-05-1996		
4	101820011	RES. 182 OHM MF 1/4W 1%	1.0000	EA		B	3769	08-05-1996		
4	104421011	RES. 4.42K OHM MF 1/4W 1%	1.0000	EA		B	3769	08-05-1996		
4	106654011	RES. 6.65M OHM MF 1/4W 1%	1.0000	EA		B	3769	08-05-1996		
4	104993011	RES. 499K OHM MF 1/4W 1%	1.0000	EA		B	3769	08-05-1996		
4	104021011	RES. 4.02K OHM MF 1/4W 1%	1.0000	EA		B	3769	08-05-1996		
4	105364011	RES. 5.36M OHM MF 1/4W 1%	2.0000	EA		B	3769	08-05-1996		
4	103480011	RES. 348 OHM MF 1/4W 1%	1.0000	EA		B	3769	08-05-1996		
4	100000990	JUMPER DUMMY RESISTOR	5.0000	EA		B	3769	08-05-1996		
4	101000011	RES. 100 OHM MF 1/4W 1%	1.0000	EA		B	3769	08-05-1996		
4	101003011	RES. 100K OHM MF 1/4W 1%	1.0000	EA		B	3769	08-05-1996		
4	101004011	RES. 1.00M OHM MF 1/4W 1%	4.0000	EA		B	3769	08-05-1996		
4	102003011	RES. 200K OHM MF 1/4W 1%	2.0000	EA		B	3769	08-05-1996		
4	104991011	RES. 4.99K OHM MF 1/4W 1%	1.0000	EA		B	3769	08-05-1996		
4	101503011	RES. 150K OHM MF 1/4W 1%	1.0000	EA		B				
4	530572	DIODE 1N4446 SWITCHING	2.0000	EA		B	4906	05-19-2003		
4	530532	DIODE FD300 GENERAL PURPO	1.0000	EA		B	3769	08-05-1996		
4	521852	CAP. 0.68 MFD 50V CERAMIC	1.0000	EA		B	3769	08-05-1996		
4	521972	CAP. .047 MFD 50V CER X7	1.0000	EA		B	3769	08-05-1996		
4	521072	CAP. 22MFD 16V TANT 10%	2.0000	EA		B	3769	08-05-1996		
4	551122	CHOKE 9250-122 1.2 UH, .1	2.0000	EA		B	3769	08-05-1996		
4	521902	CAP. NPO 1000pf 200V .2LS	1.0000	EA		B	3769	08-05-1996		
4	521862	CAP. 3.3 MFD 50V CERAMC X	1.0000	EA		B	3769	08-05-1996		
4	521872	CAP. 1.0 MFD 50V CERAMIC	5.0000	EA		B	3769	08-05-1996		
4	522002	CAP. .01 MFD 200V CERAMIC	6.0000	EA		B	3769	08-05-1996		
4	531892	REG. LM317LZ +1.2/37V ADJ	1.0000	EA		B	3769	08-05-1996		
4	431902	BIVAR PERMO PAD 0.250 DIA	1.0000	EA		B	3769	08-05-1996		
4	530862	TRAN. 2N2222A NPN MED POW	1.0000	EA		B	3769	08-05-1996		
4	551152	INDUCTOR 100UH +/-10% IMS	2.0000	EA		B	3769	08-05-1996		
4	531882	DIODE LM385BZ-2.5 2.5V RE	6.0000	EA		B	3769	08-05-1996		
4	575602	CONN. HDR AMP STRAIGHT 5	1.0000	EA		B	3769	08-05-1996		
4	574592	CONN. HDR AMP STRAIGHT 4	1.0000	EA		B	3769	08-05-1996		
4	LDN200/04	SEE EXTENDED DESCRIPTION	0.0000	EA		M P				
4	572732	HEADER SNGL 36 PIN .1 CNT	11.0000	EA		B	3769	08-05-1996		
4	LDN200/05	SEE EXTENDED DESCRIPTION	0.0000	EA		M P				
2	C11186	PREAMP/ LINEARIZER PCB AS	1.0000	EA		M P	3671	04-08-1996		
3	C20211	SCHEMATIC: PREAMP/ LINEAR	1.0000	EA		M P	4785	03-05-2002		
3	LDN100	PREAMP/ LIN PCB ASSY INFR	1.0000	EA		M P	3659	04-12-1996		
4	502493	PCB DIN RAIL LINEARIZER	1.0000	EA		B	3767	08-07-1996		

Number :DN#25403 - IRCON INFRARAIL IRT SO-LI: 88247*1

Level	Part Number	Description	Quantity	UM	Alt	MB	X	ECO No.	ECO Date	Start Use	End Use
4	LDN100/01	SEE EXTENDED DESCRIPTION	0.0000	EA		M	P				
4	LDN100/02	SEE EXTENDED DESCRIPTION	0.0000	EA		M	P				
4	532982	OP-AMP AD548CQ LOW PWR	1.0000	EA		B		3767	08-07-1996		
4	531862	OP-AMP LM346N PROGRAM QUA	3.0000	EA		B		3767	08-07-1996		
4	530532	DIODE FD300 GENERAL PURPO	16.0000	EA		B		3767	08-07-1996		
4	514632	RES. 330K NETWORK 10 PIN	2.0000	EA		B		3767	08-07-1996		
4	514642	RES. 330K NETWORK 10 PIN	2.0000	EA		B		3767	08-07-1996		
4	104533011	RES. 453K OHM MF 1/4W 1%	1.0000	EA		B		3767	08-07-1996		
4	1010R0011	RES. 10.0 OHM MF 1/4W 1%	1.0000	EA		B		3767	08-07-1996		
4	102743011	RES. 274K OHM MF 1/4W 1%	1.0000	EA		B		3767	08-07-1996		
4	102103011	RES. 210K OHM MF 1/4W 1%	1.0000	EA		B		3767	08-07-1996		
4	105364011	RES. 5.36M OHM MF 1/4W 1%	6.0000	EA		B		3767	08-07-1996		
4	101002011	RES. 10.0K OHM MF 1/4W 1%	1.0000	EA		B		3767	08-07-1996		
4	101003011	RES. 100K OHM MF 1/4W 1%	1.0000	EA		B		3767	08-07-1996		
4	102003011	RES. 200K OHM MF 1/4W 1%	2.0000	EA		B		3767	08-07-1996		
4	101000011	RES. 100 OHM MF 1/4W 1%	2.0000	EA		B		3767	08-07-1996		
4	100000990	JUMPER DUMMY RESISTOR	1.0000	EA		B		3767	08-07-1996		
4	551122	CHOKO 9250-122 1.2 UH, .1	1.0000	EA		B		3767	08-07-1996		
4	540412	FERRITE BEAD ON LEAD AXIA	3.0000	EA		B		3767	08-07-1996		
4	522002	CAP. .01 MFD 200V CERAMIC	7.0000	EA		B		3767	08-07-1996		
4	521902	CAP. NPO 1000pf 200V .2LS	2.0000	EA		B		3767	08-07-1996		
4	521932	CAP. 100 PF COG 200V	1.0000	EA		B		3767	08-07-1996		
4	521962	CAP. 10Pf NPO 200V .2LS	2.0000	EA		B		3767	08-07-1996		
4	514612	POT. 50K 25T 1/2W 10%	1.0000	EA		B		3767	08-07-1996		
4	514242	POT. 25K OHM 25T 1/2W 10%	1.0000	EA		B		3767	08-07-1996		
4	514622	POT. 100K 25T 1/2W 10%	1.0000	EA		B		3767	08-07-1996		
4	574922	CONN. HDR AMP STRAIGHT 3	1.0000	EA		B		3767	08-07-1996		
4	LDN100/03	SEE EXTENDED DESCRIPTION	0.0000	EA		M	P				
4	574432	SOCKET 40 POS DIP .5HT EL	1.0000	EA		B		3767	08-07-1996		
4	LDN100/04	SEE EXTENDED DESCRIPTION	0.0000	EA		M	P				
4	526002	CAP. SMC 330PF NPO 50V 5%	1.0000	EA		B		3767	08-07-1996		
4	572732	HEADER SNGL 36 PIN .1 CNT	11.0000	EA		B		3767	08-07-1996		
4	LDN100/05	SEE EXTENDED DESCRIPTION	0.0000	EA		M	P				
2	C11193	PCB INTERCONNECT ASSEMBLY	1.0000	EA		M	P	3671	04-08-1996		
3	LDN300	PCB INTERCONN ASSY (INFRA	1.0000	EA		M	P				
4	502533	PCB DIN RAIL POWER PEAK-P	1.0000	EA		B		3721	08-01-1996		
4	575922	CONN. FEMALE 11 POSITION	2.0000	EA		B		3721	08-01-1996		
2	477112	LABEL, COVER, DIN BOX	1.0000	EA		B		4909	06-11-2003		
2	C11190	DECAY RATE POT/ CONNECTOR	1.0000	EA		M	P	3671	04-08-1996		
3	LDN003	DECAY RATE POT/ CONN. ASS	1.0000	EA		M	P	4030	10-08-1997		
4	514592	POT. 50K OHM 1T 1/2W 10%	1.0000	EA		B					
4	LDN003/01	SEE EXTENDED DESCRIPTION	0.0000	EA		M	P				
4	302479000	WIRE 24AWG VIO/WHITE STRA	1.0000	IN		B					
4	302409000	WIRE 24AWG BLK/WHITE STRA	1.0000	IN		B					
4	302459000	WIRE 24AWG GRN/WHITE STRA	1.0000	IN		B					
4	574662	CONN. CONTACT 20-24 AWG C	3.0000	EA		B					
4	574692	CONN. HOUSING 5 POSITION-	1.0000	EA		B					
2	C11189	RESPONSE TIME POT/ CONNEC	1.0000	EA		M	P	3671	04-08-1996		
3	LDN002	RESP. TIME POT/ CONN. ASS	1.0000	EA		M	P				
4	514602	POT. 5M OHM 1T 1/2W 20% P	1.0000	EA		B					
4	302440000	WIRE 24AWG YEL/BLACK STRA	1.0000	IN		B					
4	302460000	WIRE 24AWG BLU/BLACK STRA	1.0000	IN		B					
4	302430000	WIRE 24AWG ORG/BLACK STRA	1.0000	IN		B					
4	574662	CONN. CONTACT 20-24 AWG C	3.0000	EA		B					
4	574682	CONN. HOUSING 4 POSITION-	1.0000	EA		B					
2	C11188	EMISSIVITY POT/ CONNECTOR	1.0000	EA		M	P	3671	04-08-1996		
3	LDN001	EMISSIVITY POT/ CONN. ASS	1.0000	EA		M	P	3767	08-07-1996		
4	513722	POT. 100K 2 DIGIT 1% DIGI	1.0000	EA		B		3767	08-07-1996		
4	30245X000	WIRE 24AWG GREEN STRANDED	1.0000	IN		B		3767	08-07-1996		
4	30249X000	WIRE 24AWG WHITE STRANDED	1.0000	IN		B		3767	08-07-1996		
4	30246X000	WIRE 24AWG BLUE STRANDED	1.0000	IN		B		3767	08-07-1996		
4	574662	CONN. CONTACT 20-24 AWG C	3.0000	EA		B		3767	08-07-1996		
4	574672	CONN. HOUSING 3 POSITION-	1.0000	EA		B		3767	08-07-1996		
4	477212	LABEL - CLEAR WINDOW	1.0000	EA		B		3767	08-07-1996		
2	575852	KNOB, 9MM COLLET TYPE,	2.0000	EA		B		3671	04-08-1996		
2	575872	POINTER, 9MM COLLET TYPE	2.0000	EA		B		3671	04-08-1996		
2	575862	CAP. 9MM COLLET TYPE KNOB	2.0000	EA		B		3671	04-08-1996		
2	C11194	MODULE ASSEMBLY - M1 - (I	1.0000	EA		M	P	3671	04-08-1996		

Number :DN#25403 - IRCON INFRARAIL IRT SO-LI: 88247*1

Level	Part Number	Description	Quantity	UM	Alt.	MB X	ECO No.	ECO Date	Start Use	End Use
3	573912	HEADER 40 PIN DIP .6 CENT	1.0000	EA		B				
3	T-C11194-1	SELECT "M1" MODULE VALUES	0.0000	EA		B				
3	T-C11194-3	GT M1 MODULE VALUES	0.0000	EA		B				
2	575912	CONN. KEYING ELEMENT (DN-	2.0000	EA		B	3671	04-08-1996		
2	477132	LABEL, SERIAL NUMBER, DIN	1.0000	EA		B	3671	04-08-1996		
2	477122	LABEL, DIN BOX, INFRARAIL	1.0000	EA		B	3671	04-08-1996		
2	574082	TERM. BLOCK JUMPER QUICK	1.0000	EA		B	3671	04-08-1996		
2	LDNKIT	MTG CLIP KIT FOR INFRARAI	1.0000	EA		M P	3671	04-08-1996		
3	990300010	CLIP MTG FOR DIN BOX	2.0000	EA		B	3694	04-17-1996		
3	LDNKIT/01	SEE EXTENDED DESCRIPTION	0.0000	EA		M P				
2	477182	LABEL-CE MARK (PRODUCTS)	1.0000	EA		B	3671	04-08-1996		



IRCON, INC T 847-967-5151
 7300 North Natchez Ave T 800-323-7660
 Niles, Illinois 60714 USA F 847-647-0948

Acknowledgment

ORDER DATE: 24 JUN 2005
 REV: DATE:

Customer No. 002066
 SOLD TO

SHIP TO
 MUELLER COPPER TUBE
 400 MUELLER ROAD
 FULTON, MS 38843

MUELLER INDUSTRIES INC.
 STANDARD PRODUCTS DIV
 8285 TOURNAMENT DRIVE
 SUITE 150, ACCTS PAYABLE
 MEMPHIS, TN 38125

SPECIAL SHIPPING INSTRUCTIONS

OUR ORDER No.		YOUR PO No.		F.O.B.		TAX	
88551		F45757		ORIGIN		Resale	
SHIP VIA		TERMS		DATE REQUESTED		SALES REPRESENTATIVE	
UPS		0.00/0/30		07-01-05		1009 (100.00)	
LI	PART NO.	PRODUCT/DESCRIPTION	QTY	UNIT PRICE	DISC	NET PRICE	EXTENSION
1	DN-HO#25884 W.O.# 19075	DN_DNE31-13C <i>DNE99-99C</i> IRCON INFRARAIL IRT SENSING HEAD ONLY Consists of the following: 1.0000 - INFRARAIL HEAD ONLY 1.0000 - DN - E SERIES 1.0000 - D/100 RESOLUTION (E) 1.0000 - 800-1300C	1	1270.00	0.0	1270.00	1270.00
<i>Relo Spec No R729</i> <i>Temp 450-1050c</i> <i>D/50 Resolution</i> <i>cable Breakalarm</i> <i>MB 6/24</i>							
THIS ORDER IS ACCEPTED SUBJECT TO TERMS AND CONDITIONS SHOWN ON THIS AND THE REVERSE SIDE						GRAND TOTAL	USD1,270.00

SHIP TO: IRCON, INC.
 7300 N. NATCHEZ AVE.
 NILES, IL 60714 USA

IF TAX EXEMPT, PLEASE PROVIDE COPY OF
 EXEMPTION OR DIRECT PAYMENT CERTIFICATE



IRCON, INC.
7300 North Natchez Avenue
Niles, Illinois 60714 USA

Telephone 847-967-5151
Toll Free 800-323-7660
Fax 847-647-0948

ISO 9001/QS 9000 TE
Quality Systems Certified

Modified Standard Product
Data Form

A modified standard product is a product that is based on a standard product found in the most recent price list. The modifications maybe items such as; temperature ranges, output types, resolution, response time and optical issues. A modified standard product form is to be completed and submitted to Steve Schumm and Gene Kalley for review and approval based on the modification (which we have done before). If the modification has not been done before, the approval will require the entire senior management team's approval BEFORE QUOTING. A modified standard product if approved; this product will become a price listed standard product. We can then pay commission as outlined in our most recent contract.

- Standard Product is a Model Number: DNE31+13C
- Standard Product List Price: \$ 970.-
- The product change requested would be: Radio R729
450-1050C, D/50 Cable, B/E @ Alan *Sales will attach specifics to this form.*
- The market is willing to pay \$ 1270 for this product (total including standard price).
- What is engineering's expected time investment and cost: 1 HOUR Man Days
\$ 100.00
- What is production's expected purchasing and production time requirement: _____ Days
- This new product has potential in the following application and estimated potential per year would be _____ per year:

- This product will be not be _____ quoted and produced as previously outlined.
- Agreed on this date of _____ By production/purchasing _____
By engineering A. DONADO 6/27/05
- Sales can now quote this project for \$ _____ per unit. W.O.# 19075.
_____ lead time.

_____ Add to standard product list in literature (Maxine)
_____ Add to price list (Vern)
cc/ Greg P, Paul V, Regional Sales Staff Globally

W.O. # 19075

Number :DN-HO#25884 - IRCON INFRARAIL IRT SO-LI: 88551*1

Level	Part Number	Description	Quantity	UM	Alt	MB	X	ECO No.	ECO Date	Start Use	End Use
1	DN1DNE	DN PRICES	1.0000	EA							
1	C11201-R713	SENSING HEAD FINAL ASSY	1.0000	EA							
2	451323	FIELD STOP .044DIA	1.0000	EA		B		3709	05-17-1996		
2	C11201/01	SEE EXTENDED DESCRIPTION	0.0000	EA		M					
2	990300005	RETAINING RING 7/16 OD,.2	1.0000	EA		B		3709	05-17-1996		
2	431442	DET. LOCATOR MOD2	1.0000	EA		B		3709	05-17-1996		
2	C11209-R707	SH DETECTOR ASSEMBLY E HD	1.0000	EA		M	P	3709	05-17-1996		
3	LR721-D	DET ASSY FOR SPL# R721	1.0000	EA		M	P	3770	08-21-1996		
4	LR721-D/01	SEE EXTENDED DESCRIPTION	0.0000	EA		M	P				
4	431432	DET. HOLDER MR20 SERIES	1.0000	EA		B					
4	640552	FILTER, BANDPASS	1.0000	EA		B					
4	590942	DETECTOR InGaAs 1.6u	1.0000	EA		B					
4	LR721-D/02	SEE EXTENDED DESCRIPTION	0.0000	EA		M	P				
4	560372	CABLE PVC 1 COND SHIELD 2	3.0000	IN		B					
4	312430100	WIRE 24AWG BARE SOLID	1.0000	IN		B					
4	430292	CONN. GASKET 2000 SERIES	1.0000	EA		B					
4	575892	CONN. CIRC 3 RECPT 10SL-3	1.0000	EA		B					
4	490042	SPRING DETECTOR RETAINER	1.0000	EA		B					
4	630092	FOLDING MIRROR SH MROA SE	1.0000	EA		B					
4	490032	SPRING FOLDING MIRROR MOD	1.0000	EA		B					
4	200204130	SCREW #2-56 X 1/8 PH SLOT	1.0000	EA		B					
4	990100016	EPOXY HARDMAN #4001 3-5 M	1.0000	EA		B					
4	3214G00X0	TUBING #14 PVC CLEAR	1.0000	IN		B					
2	447352	SENSOR, E-HEAD	1.0000	EA		B		3709	05-17-1996		
2	610432	EYE LENS FOR A HEAD	1.0000	EA		B		3709	05-17-1996		
2	990100002	EPOXY HARDMAN #4005 GEN P	1.0000	EA		B		3709	05-17-1996		
2	447372	FIELD STOP, .312 DIA	1.0000	EA		B		3709	05-17-1996		
2	447382	FIELD STOP, .437 DIA	1.0000	EA		B		3709	05-17-1996		
2	610402	LENS PLANO CONVEX 30" F/L	1.0000	EA		B		3709	05-17-1996		
2	431752	O RING 13/16 X 1/16 TH 70	1.0000	EA		B		3709	05-17-1996		
2	447362	LENS RING E-HEAD SENSOR	1.0000	EA		B		3709	05-17-1996		
2	200412440	SCREW #4-40 X 3/8 FIL SLO	4.0000	EA		B		3709	05-17-1996		
2	220403200	WASHER #4 LOCK SPLIT RING	4.0000	EA		B		3709	05-17-1996		
2	454152	SCREW, ADJUSTMENT,	1.0000	EA		B		3709	05-17-1996		
2	433372	O RING 3/32 X 7/32 X 1/16	1.0000	EA		B		3709	05-17-1996		
2	220602200	WASHER #6 LOCK EXT TOOTH	1.0000	EA		B		3709	05-17-1996		
2	200606040	SCREW #6-32 X 3/16 PH SLO	1.0000	EA		B		3709	05-17-1996		
2	C11201/02	SEE EXTENDED DESCRIPTION	0.0000	EA		M					
2	443502	RETAINING NUT	1.0000	EA		B		3709	05-17-1996		
2	477142	LABEL, SERIAL NUMBER, SEN	1.0000	EA		B		3709	05-17-1996		
2	474772	LABEL GROUND WARNING	1.0000	EA		B		3709	05-17-1996		
2	T-C11201-1	DETERMINE IF CABLE IS REQ	0.0000	EA		B		3709	05-17-1996		
2	C11201/03	SEE EXTENDED DESCRIPTION	0.0000	EA		M					
2	999900013	CAP PLUG #SC-1-1/4	1.0000	EA		B		3709	05-17-1996		
2	990100028	SEALANT RTV SILICONE BLAC	1.0000	EA		B		3709	05-17-1996		
2	999900014	STEM BUMPER 3/8OD .275T	1.0000	EA		B		3709	05-17-1996		

OK

R729
(Sensor Only)



IRCON, INC T 847-967-5151
 7300 North Natchez Ave T 800-323-7660
 Niles, Illinois 60714 USA F 847-647-0948

Acknowledgment

ORDER DATE: 08 JUL 2005

REV: DATE:

Customer No. 100426
SOLD TO

IRCON B.V.
 DATABANKWEG 6 C
 3821 AL AMERSFOORT
 THE NETHERLANDS

SHIP TO
 IRCON B.V.
 DATABANKWEG 6 C
 3821 AL AMERSFOORT
 THE NETHERLANDS

SPECIAL SHIPPING INSTRUCTIONS

REF: 254139/wk25943/60117

OUR ORDER No.		YOUR PO No.		F.O.B.		TAX	
88634		200540346		ORIGIN		Resale	
SHIP VIA		TERMS		DATE REQUESTED	SALES REPRESENTATIVE		
EXEL		0.00/0/180		07-15-05	1001 (100.00)		
LI	PART NO.	PRODUCT/DESCRIPTION	QTY	UNIT PRICE	DISC	NET PRICE	EXTENSION
1	DN-HO#26039 <i>w.o. # 19180</i>	DN_DNE31-13C <i>PNE99-99C</i> IRCON INFRARAIL IRT SENSING HEAD ONLY Consists of the following: 1.0000 - INFRARAIL HEAD ONLY 1.0000 - DN - E SERIES 1.0000 - D/100 RESOLUTION (E) 1.0000 - 800-1300C	1	364.56	0.0	364.56	364.56
2	MOD-CHARGES	MODIFICATION OF PRODUCT <i>Preso Spec No R 729</i> <i>Temp 450 to 1050C</i> <i>2 D/50 resolutions</i> <i>w/ cable Bread Alarm</i>	1	82.85	0.0	82.85	82.85
THIS ORDER IS ACCEPTED SUBJECT TO TERMS AND CONDITIONS SHOWN ON THIS AND THE REVERSE SIDE						GRAND TOTAL	ECU447.41

SHIP TO: IRCON, INC.
 7300 N. NATCHEZ AVE.
 NILES, IL 60714 USA

IF TAX EXEMPT, PLEASE PROVIDE COPY OF EXEMPTION OR DIRECT PAYMENT CERTIFICATE



IRCON, INC.
7300 North Natchez Avenue
Niles, Illinois 60714 USA

Telephone 847-967-5151
Toll Free 800-323-7660
Fax 847-647-0948

ISO 9001/QS 9000 TE
Quality Systems Certified

**Modified Standard Product
Data Form**

A modified standard product is a product that is based on a standard product found in the most recent price list. The modifications maybe items such as; temperature ranges, output types, resolution, response time and optical issues. A modified standard product form is to be completed and submitted to Steve Schumm and Gene Kalley for review and approval based on the modification (which we have done before). If the modification has not been done before, the approval will require the entire senior management team's approval BEFORE QUOTING. A modified standard product if approved; this product will become a price listed standard product. We can then pay commission as outlined in our most recent contract.

- Standard Product is a Model Number: DNE31-13C
 - Standard Product List Price: \$ 440
 - The product change requested would be: Reb R 729
450-1050C, 2/50 Sales will attach specifics to this form.
 - The market is willing to pay: \$540 for this product (total including standard price).
 - What is engineering's expected time investment and cost: 1 hour Man Days
\$ 100⁰⁰
 - What is production's expected purchasing and production time requirement: _____ Days
 - This new product has potential in the following application and estimated potential per year would be _____ per year.
-
- This product will be not be _____ quoted and produced as previously outlined.
 - Agreed on this date of _____ By production/purchasing _____
By engineering A. DENADO 7/12/05
 - Sales can now quote this project for \$ _____ per unit. WO # 19180
_____ lead time.

____ Add to standard product list in literature (Maxine)
____ Add to price list (Vern)
cc/ Greg P, Paul V, Regional Sales Staff Globally



IRCON, INC T 847-967-5151
 7300 North Natchez Ave T 800-323-7660
 Niles, Illinois 60714 USA F 847-647-0948

Acknowledgment

ORDER DATE: 10 AUG 2005

REV: DATE:

Customer No. 002066
 SOLD TO

SHIP TO
 MUELLER COPPER TUBE
 400 MUELLER ROAD
 FULTON, MS 38843

MUELLER INDUSTRIES INC.
 STANDARD PRODUCTS DIV
 8285 TOURNAMENT DRIVE
 SUITE 150, ACCTS PAYABLE
 MEMPHIS, TN 38125

SPECIAL SHIPPING INSTRUCTIONS

OUR ORDER No.	YOUR PO No.	F.O.B.	TAX
88900	F46343	ORIGIN	Resale
SHIP VIA	TERMS	DATE REQUESTED	SALES REPRESENTATIVE
UPS	0.00/0/30	08-19-05	1009 (100.00)

LI	PART NO.	PRODUCT/DESCRIPTION	QTY	UNIT PRICE	DISC	NET PRICE	EXTENSION
1	DN-HO#26435 <i>w.o.# 19413</i>	<i>DNE99-99C</i> DN_DNE31-13C IRCON INFRARAIL IRT SENSING HEAD ONLY Consists of the following: 1.0000 - INFRARAIL HEAD ONLY 1.0000 - DN - E SERIES 1.0000 - <i>D/100</i> RESOLUTION (E) 1.0000 - <i>800-1300C</i>	2	1270.00	0.0	1270.00	2540.00

Real Spec No R729
Temp range - 450-1050C
D/150 resolution
cable break alarm
8/14

THIS ORDER IS ACCEPTED SUBJECT TO TERMS AND CONDITIONS SHOWN ON THIS AND THE REVERSE SIDE	GRAND TOTAL	USD2,540.00
---	-------------	-------------

SHIP TO: IRCON, INC.
 7300 N. NATCHEZ AVE.
 NILES, IL 60714 USA

IF TAX EXEMPT, PLEASE PROVIDE COPY OF
 EXEMPTION OR DIRECT PAYMENT CERTIFICATE



IRCON, INC.
7300 North Natchez Avenue
Niles, Illinois 60714 USA

Telephone 847-967-5151
Toll Free 800-323-7660
Fax 847-647-0948

ISO 9001/QS 9000 TE
Quality Systems Certified

**Modified Standard Product
Data Form**

A modified standard product is a product that is based on a standard product found in the most recent price list. The modifications maybe items such as; temperature ranges, output types, resolution, response time and optical issues. A modified standard product form is to be completed and submitted to Steve Schumm and Gene Kalley for review and approval based on the modification (which we have done before). If the modification has not been done before, the approval will require the entire senior management team's approval BEFORE QUOTING. A modified standard product if approved; this product will become a price listed standard product. We can then pay commission as outlined in our most recent contract.

- Standard Product is a Model Number: 02 DNE31-23C
 - Standard Product List Price: \$ 970
 - The product change requested would be: Redo R729 = 450-1050C,
0/100 + Cable Bk alarm *Sales will attach specifics to this form.*
 - The market is willing to pay: 1270 for this product (total including standard price).
 - What is engineering's expected time investment and cost: 1 hour Man Days
\$ 100.00
 - What is production's expected purchasing and production time requirement: _____ Days
 - This new product has potential in the following application and estimated potential per year would be _____ per year:
-
- This product will be not be _____ quoted and produced as previously outlined.
 - Agreed on this date of _____ By production/purchasing _____
By engineering A. DONADO 8/16/05
W.O.# 19413
 - Sales can now quote this project for \$ _____ per unit.
_____ lead time.

____ Add to standard product list in literature (Maxine)
____ Add to price list (Vern)
cc/ Greg P, Paul V, Regional Sales Staff Globally

W.O.#19413

Number :DN-HO#26435 - IRCON INFRARAIL IRT SO-LI: 88900*1

Level	Part Number	Description	Quantity	UM	Alt	MB	X	ECO No.	ECO Date	Start Use	End Use
1	DNIDNE	DN PRICES	1.0000	EA							
1	C11201-R713	SENSING HEAD FINAL ASSY	1.0000	EA							
2	451323	FIELD STOP .044DIA	1.0000	EA		B		3709	05-17-1996		
2	C11201/01	SEE EXTENDED DESCRIPTION	0.0000	EA							
2	990300005	RETAINING RING 7/16 OD,.2	1.0000	EA		B		3709	05-17-1996		
2	431442	DET. LOCATOR MOD2	1.0000	EA		B		3709	05-17-1996		
2	C11209-R707	SH DETECTOR ASSEMBLY E HD	1.0000	EA		M	P	3709	05-17-1996		
3	LR721-D	DET ASSY FOR SPL# R721	1.0000	EA		M	P	3770	08-21-1996		
4	LR721-D/01	SEE EXTENDED DESCRIPTION	0.0000	EA		M	P				
4	431432	DET. HOLDER MR20 SERIES	1.0000	EA		B					
4	640552	FILTER, BANDPASS	1.0000	EA		B					
4	590942	DETECTOR InGaAs 1.6u	1.0000	EA		B					
4	LR721-D/02	SEE EXTENDED DESCRIPTION	0.0000	EA		M	P				
4	560372	CABLE PVC 1 COND SHIELD 2	3.0000	IN		B					
4	312430100	WIRE 24AWG BARE SOLID	1.0000	IN		B					
4	430292	CONN. GASKET 2000 SERIES	1.0000	EA		B					
4	575892	CONN. CIRC 3 RECPT 10SL-3	1.0000	EA		B					
4	490042	SPRING DETECTOR RETAINER	1.0000	EA		B					
4	630092	FOLDING MIRROR SH MROA SE	1.0000	EA		B					
4	490032	SPRING FOLDING MIRROR MOD	1.0000	EA		B					
4	200204130	SCREW #2-56 X 1/8 PH SLOT	1.0000	EA		B					
4	990100016	EPOXY HARDMAN #4001 3-5 M	1.0000	EA		B					
4	3214G00X0	TUBING #14 PVC CLEAR	1.0000	IN		B					
2	447352	SENSOR, E-HEAD	1.0000	EA		B		3709	05-17-1996		
2	610432	EYE LENS FOR A HEAD	1.0000	EA		B		3709	05-17-1996		
2	990100002	EPOXY HARDMAN #4005 GEN P	1.0000	EA		B		3709	05-17-1996		
2	447372	FIELD STOP, .312 DIA	1.0000	EA		B		3709	05-17-1996		
2	447382	FIELD STOP, .437 DIA	1.0000	EA		B		3709	05-17-1996		
2	610402	LENS PLANO CONVEX 30" F/L	1.0000	EA		B		3709	05-17-1996		
2	431752	O RING 13/16 X 1/16 TH 70	1.0000	EA		B		3709	05-17-1996		
2	447362	LENS RING E-HEAD SENSOR	1.0000	EA		B		3709	05-17-1996		
2	200412440	SCREW #4-40 X 3/8 FIL SLO	4.0000	EA		B		3709	05-17-1996		
2	220403200	WASHER #4 LOCK SPLIT RING	4.0000	EA		B		3709	05-17-1996		
2	454152	SCREW, ADJUSTMENT,	1.0000	EA		B		3709	05-17-1996		
2	433372	O RING 3/32 X 7/32 X 1/16	1.0000	EA		B		3709	05-17-1996		
2	220602200	WASHER #6 LOCK EXT TOOTH	1.0000	EA		B		3709	05-17-1996		
2	200606040	SCREW #6-32 X 3/16 PH SLO	1.0000	EA		B		3709	05-17-1996		
2	C11201/02	SEE EXTENDED DESCRIPTION	0.0000	EA		M					
2	443502	RETAINING NUT	1.0000	EA		B		3709	05-17-1996		
2	477142	LABEL, SERIAL NUMBER, SEN	1.0000	EA		B		3709	05-17-1996		
2	474772	LABEL GROUND WARNING	1.0000	EA		B		3709	05-17-1996		
2	T-C11201-1	DETERMINE IF CABLE IS REQ	0.0000	EA		B		3709	05-17-1996		
2	C11201/03	SEE EXTENDED DESCRIPTION	0.0000	EA		M					
2	999900013	CAP PLUG #SC-1-1/4	1.0000	EA		B		3709	05-17-1996		
2	990100028	SEALANT RTV SILICONE BLAC	1.0000	EA		B		3709	05-17-1996		
2	999900014	STEM BUMPER 3/8OD .275T	1.0000	EA		B		3709	05-17-1996		

OK

R 729

(Sensor Only)



IRCON, INC T 847-967-5151
 7300 North Natchez Ave T 800-323-7660
 Niles, Illinois 60714 USA F 847-647-0948

Acknowledgment

ORDER DATE: 30 SEP 2005

REV: DATE:

Customer No. 100426
SOLD TO

SHIP TO

IRCON B.V.
 DATABANKWEG 6 C
 3821 AL AMERSFOORT
 THE NETHERLANDS

IRCON B.V.
 DATABANKWEG 6 C
 3821 AL AMERSFOORT
 THE NETHERLANDS

SPECIAL SHIPPING INSTRUCTIONS

REF: 257502/WK27452

OUR ORDER No.		YOUR PO No.		F.O.B.		TAX	
89292		200540514		ORIGIN		Resale	
SHIP VIA		TERMS		DATE REQUESTED	SALES REPRESENTATIVE		
EXEL		0.00/0/180		10-21-05	1001 (100.00)		
LI	PART NO.	PRODUCT/DESCRIPTION	QTY	UNIT PRICE	DISC	NET PRICE	EXTENSION
1	DN-HO#26967 <i>W.O.# 19736</i>	DN_DNE31-13C IRCON INFRARAIL IRT SENSING HEAD ONLY Consists of the following: 1.0000 - INFRARAIL HEAD ONLY 1.0000 - DN - E SERIES 1.0000 - D/100 RESOLUTION (E) 1.0000 - 800-1300C	1	360.91	0.0	360.91	360.91
							<i>very spec R729 temp range 450-1050C 20/50 resolution</i>
2	MOD-CHARGES	MODIFICATION OF PRODUCT <i>with cable break alarm</i>	1	82.03	0.0	82.03	82.03
THIS ORDER IS ACCEPTED SUBJECT TO TERMS AND CONDITIONS SHOWN ON THIS AND THE REVERSE SIDE						GRAND TOTAL	ECU442.94

SHIP TO: IRCON, INC.
 7300 N. NATCHEZ AVE.
 NILES, IL 60714 USA

IF TAX EXEMPT, PLEASE PROVIDE COPY OF
 EXEMPTION OR DIRECT PAYMENT CERTIFICATE



IRCON, INC.
7300 North Natchez Avenue
Niles, Illinois 60714 USA

Telephone 847-967-5151
Toll Free 800-323-7660
Fax 847-647-0948

ISO 9001/QS 9000 TE
Quality Systems Certified

Modified Standard Product
Data Form

A modified standard product is a product that is based on a standard product found in the most recent price list. The modifications maybe items such as; temperature ranges, output types, resolution, response time and optical issues. A modified standard product form is to be completed and submitted to Steve Schumm and Gene Kalley for review and approval based on the modification (which we have done before). If the modification has not been done before, the approval will require the entire senior management team's approval BEFORE QUOTING. A modified standard product if approved; this product will become a price listed standard product. We can then pay commission as outlined in our most recent contract.

- Standard Product is a Model Number: ONE 31-13C
 - Standard Product List Price: \$ 445
 - The product change requested would be: Revised R729-4501050C
0/50 cable for alarm *Sales will attach specifics to this form.*
 - The market is willing to pay: 545 for this product (total including standard price).
 - What is engineering's expected time investment and cost: 1 HOUR Man Days
\$ 100.00
 - What is production's expected purchasing and production time requirement: _____ Days
 - This new product has potential in the following application and estimated potential per year would be _____ per year:
-
- This product will be not be _____ quoted and produced as previously outlined.
 - Agreed on this date of _____ By production/purchasing _____
By engineering A. DONADO 10/4/05
W.O.# 19736
 - Sales can now quote this project for \$ _____ per unit.
_____ lead time.

_____ Add to standard product list in literature (Maxine)

_____ Add to price list (Vern)

cc/ Greg P, Paul V, Regional Sales Staff Globally

W.O.# 19736

Number :DN-HO#26967 - IRCON INFRARAIL IRT SO-LI: 89292*1

Level	Part Number	Description	Quantity	UM	Alt	MB X	ECO No.	ECO Date	Start Use	End Use
1	DN1DNE	DN PRICES	1.0000	EA		M P				
1	C11201-R713	SENSING HEAD FINAL ASSY	1.0000	EA		M P				
2	451323	FIELD STOP .044DIA	1.0000	EA		B	3709	05-17-1996		
2	C11201/01	SEE EXTENDED DESCRIPTION	0.0000	EA		M				
2	990300005	RETAINING RING 7/16 OD, .2	1.0000	EA		B	3709	05-17-1996		
2	431442	DET. LOCATOR MOD2	1.0000	EA		B	3709	05-17-1996		
2	C11209-R707	SH DETECTOR ASSEMBLY E HD	1.0000	EA		M P	3709	05-17-1996		
3	LR721-D	DET ASSY FOR SPL# R721	1.0000	EA		M P	3770	08-21-1996		
4	LR721-D/01	SEE EXTENDED DESCRIPTION	0.0000	EA		M P				
4	431432	DET. HOLDER MR20 SERIES	1.0000	EA		B				
4	640552	FILTER, BANDPASS	1.0000	EA		B				
4	590942	DETECTOR InGaAs 1.6u	1.0000	EA		B				
4	LR721-D/02	SEE EXTENDED DESCRIPTION	0.0000	EA		M P				
4	560372	CABLE PVC 1 COND SHIELD 2	3.0000	IN		B				
4	312430100	WIRE 24AWG BARE SOLID	1.0000	IN		B				
4	430292	CONN. GASKET 2000 SERIES	1.0000	EA		B				
4	575892	CONN. CIRC 3 RECPT 10SL-3	1.0000	EA		B				
4	490042	SPRING DETECTOR RETAINER	1.0000	EA		B				
4	630092	FOLDING MIRROR SH MROA SE	1.0000	EA		B				
4	490032	SPRING FOLDING MIRROR MOD	1.0000	EA		B				
4	200204130	SCREW #2-56 X 1/8 PH SLOT	1.0000	EA		B				
4	990100016	EPOXY HARDMAN #4001 3-5 M	1.0000	EA		B				
4	3214G00X0	TUBING #14 PVC CLEAR	1.0000	IN		B				
2	447352	SENSOR, E-HEAD	1.0000	EA		B	3709	05-17-1996		
2	610432	EYE LENS FOR A HEAD	1.0000	EA		B	3709	05-17-1996		
2	990100002	EPOXY HARDMAN #4005 GEN P	1.0000	EA		B	3709	05-17-1996		
2	447372	FIELD STOP, .312 DIA	1.0000	EA		B	3709	05-17-1996		
2	447382	FIELD STOP, .437 DIA	1.0000	EA		B	3709	05-17-1996		
2	610402	LENS PLANO CONVEX 30" F/L	1.0000	EA		B	3709	05-17-1996		
2	431752	O RING 13/16 X 1/16 TH 70	1.0000	EA		B	3709	05-17-1996		
2	447362	LENS RING E-HEAD SENSOR	1.0000	EA		B	3709	05-17-1996		
2	200412440	SCREW #4-40 X 3/8 FIL SLO	4.0000	EA		B	3709	05-17-1996		
2	220403200	WASHER #4 LOCK SPLIT RING	4.0000	EA		B	3709	05-17-1996		
2	454152	SCREW, ADJUSTMENT,	1.0000	EA		B	3709	05-17-1996		
2	433372	O RING 3/32 X 7/32 X 1/16	1.0000	EA		B	3709	05-17-1996		
2	220602200	WASHER #6 LOCK EXT TOOTH	1.0000	EA		B	3709	05-17-1996		
2	200606040	SCREW #6-32 X 3/16 PH SLO	1.0000	EA		B	3709	05-17-1996		
2	C11201/02	SEE EXTENDED DESCRIPTION	0.0000	EA		M				
2	443502	RETAINING NUT	1.0000	EA		B	3709	05-17-1996		
2	477142	LABEL, SERIAL NUMBER, SEN	1.0000	EA		B	3709	05-17-1996		
2	474772	LABEL GROUND WARNING	1.0000	EA		B	3709	05-17-1996		
2	T-C11201-1	DETERMINE IF CABLE IS REQ	0.0000	EA		B	3709	05-17-1996		
2	C11201/03	SEE EXTENDED DESCRIPTION	0.0000	EA		M				
2	999900013	CAP PLUG #SC-1-1/4	1.0000	EA		B	3709	05-17-1996		
2	990100028	SEALANT RTV SILICONE BLAC	1.0000	EA		B	3709	05-17-1996		
2	999900014	STEM BUMPER 3/8OD .275T	1.0000	EA		B	3709	05-17-1996		

OK

R729



IRCON, INC T 847-967-5151
 7300 North Natchez Ave T 800-323-7660
 Niles, Illinois 60714 USA F 847-647-0948

Acknowledgment

ORDER DATE: 13 MAY 2005
 REV: DATE:

Customer No. 100426
 SOLD TO

IRCON B.V.
 DATABANKWEG 6 C
 3821 AL AMERSFOORT
 THE NETHERLANDS

SHIP TO
 IRCON B.V.
 DATABANKWEG 6 C
 3821 AL AMERSFOORT
 THE NETHERLANDS

SPECIAL SHIPPING INSTRUCTIONS
 REF: 252609/WK26604

OUR ORDER No.		YOUR PO No.		F.O.B.		TAX	
88247		200540251		ORIGIN		Resale	
SHIP VIA		TERMS		DATE REQUESTED		SALES REPRESENTATIVE	
EXEL		0.00/0/180		06-10-05		1001 (100.00)	
LI	PART NO.	PRODUCT/DESCRIPTION	QTY	UNIT PRICE	DISC	NET PRICE	EXTENSION
1	DN#25403 <i>w.o. #</i> <i>18777</i>	DN_DNE31-13C <i>PNE99-99C</i> IRCON INFRARAIL IRT SYSTEM-COMLETE Consists of the following: 1.0000 - INFRARAIL 1.0000 - DN - E SERIES 1.0000 - Std Cbl Lgth 4 meters. 12ft 1.0000 - D/100 RESOLUTION (E) 1.0000 - 800-1300C	1	619.37	0.0	619.37	619.37
2	MOD-CHARGES	MODIFICATION OF PRODUCT	1	77.42	0.0	77.42	77.42
THIS ORDER IS ACCEPTED SUBJECT TO TERMS AND CONDITIONS SHOWN ON THIS AND THE REVERSE SIDE						GRAND TOTAL	ECU696.79

Redo Spec No R729
Temp range 450-1050C
D/50 resolution
with cable break alarm
5/13

SHIP TO: IRCON, INC.
 7300 N. NATCHEZ AVE.
 NILES, IL 60714 USA

IF TAX EXEMPT, PLEASE PROVIDE COPY OF
 EXEMPTION OR DIRECT PAYMENT CERTIFICATE



IRCON, INC.
7300 North Natchez Avenue
Niles, Illinois 60714 USA

Telephone 847-967-5151
Toll Free 800-323-7660
Fax 847-647-0948

ISO 9001/QS 9000 TE
Quality Systems Certified

Modified Standard Product
Data Form

A modified standard product is a product that is based on a standard product found in the most recent price list. The modifications maybe items such as; temperature ranges, output types, resolution, response time and optical issues. A modified standard product form is to be completed and submitted to Steve Schumm and Gene Kalley for review and approval based on the modification (which we have done before). If the modification has not been done before, the approval will require the entire senior management team's approval BEFORE QUOTING. A modified standard product if approved; this product will become a price listed standard product. We can then pay commission as outlined in our most recent contract.

- Standard Product is a Model Number: DNE31-13C
- Standard Product List Price: \$ 900
- The product change requested would be: Reels R729
450-10500, P/50, Breakdown *Sales will attach specifics to this form.*
- The market is willing to pay \$ 1000 for this product (total including standard price).
- What is engineering's expected time investment and cost: 1 HOUR Man Days
\$ 1000
- What is production's expected purchasing and production time requirement: _____ Days
- This new product has potential in the following application and estimated potential per year would be _____ per year:

- This product will be not be _____ quoted and produced as previously outlined.
- Agreed on this date of _____ By production/purchasing _____
By engineering A-DONADO 5/13/05
- Sales can now quote this project for \$ _____ per unit. W.O.# 18777
_____ lead time.

____ Add to standard product list in literature (Maxine)
____ Add to price list (Vern)
cc/ Greg P, Paul V, Regional Sales Staff Globally



IRCON, INC T 847-967-5151
 7300 North Natchez Ave T 800-323-7660
 Niles, Illinois 60714 USA F 847-647-0948

Acknowledgment

ORDER DATE: 18 OCT 2005
 REV: DATE:

Customer No. 002605
 SOLD TO

SHIP TO
 TANJORE CORPORATION
 8020 SAN LORENZO DRIVE
 LAREDO, TX 78045

TANJORE CORPORATION
 ATTN: ACCOUNTS PAYABLE
 P O BOX 6037
 LAREDO, TX 78042-6307

SPECIAL SHIPPING INSTRUCTIONS

OUR ORDER No.		YOUR PO No.		F.O.B.			TAX
89433		TI-496237		ORIGIN			Resale
SHIP VIA		TERMS		DATE REQUESTED	SALES REPRESENTATIVE		
UPS		0.00/0/30		11-08-05	1213 (100.00)		
LI	PART NO.	PRODUCT/DESCRIPTION	QTY	UNIT PRICE	DISC	NET PRICE	EXTENSION
1	JAVS079C	JAVELIN MODEL JAVS079C 7.5-8.5um, 50 TO 600C, S.F.	2	1075.00	0.0	1075.00	2150.00
2	DN#27159 <i>w.o.# 19898</i>	DN_DNE31-13C IRCON INFRARAIL IRT SYSTEM-COMPLETE Consists of the following: 1.0000 - INFRARAIL 1.0000 - DN - E SERIES 1.0000 - Std Cbl Lgth 12ft 1.0000 - D/100 RESOLUTION (B) 1.0000 - 800-1300C	1	2395.00	0.0	2395.00	2395.00
<p><i>DNE99-99C</i></p> <p><i>Redo Spec NR 729</i></p> <p><i>Temp range 450-1050C</i></p> <p><i>D/50 Resolution</i></p> <p><i>with cable break alarm</i></p> <p><i>10/18</i></p>							
THIS ORDER IS ACCEPTED SUBJECT TO TERMS AND CONDITIONS SHOWN ON THIS AND THE REVERSE SIDE					GRAND TOTAL		USD4,545.00

SHIP TO: IRCON, INC.
 7300 N. NATCHEZ AVE.
 NILES, IL 60714 USA

IF TAX EXEMPT, PLEASE PROVIDE COPY OF
 EXEMPTION OR DIRECT PAYMENT CERTIFICATE



IRCON, INC.
7300 North Natchez Avenue
Niles, Illinois 60714 USA

Telephone 847-967-5151
Toll Free 800-323-7660
Fax 847-647-0948

ISO 9001/QS 9000 TE
Quality Systems Certified

Modified Standard Product
Data Form

A modified standard product is a product that is based on a standard product found in the most recent price list. The modifications maybe items such as; temperature ranges, output types, resolution, response time and optical issues. A modified standard product form is to be completed and submitted to Steve Schumm and Gene Kalley for review and approval based on the modification (which we have done before). If the modification has not been done before, the approval will require the entire senior management team's approval BEFORE QUOTING. A modified standard product if approved; this product will become a price listed standard product. We can then pay commission as outlined in our most recent contract.

- Standard Product is a Model Number: DNEGF-13C
 - Standard Product List Price: \$ 1945
 - The product change requested would be: Redo R 729
450-10509, D/50, Cable BK *Sales will attach specifics to this form.*
 - The market is willing to pay: 2395 for this product (total including standard price).
 - What is engineering's expected time investment and cost: 1 HOUR Man Days
\$ 100.00
 - What is production's expected purchasing and production time requirement: _____ Days
 - This new product has potential in the following application and estimated potential per year would be _____ per year.
-
- This product will be not be _____ quoted and produced as previously outlined.
 - Agreed on this date of _____ By production/purchasing _____
By engineering A. DONADO 10/24/05
 - Sales can now quote this project for \$ _____ per unit. W.C. # 19898
_____ lead time.

____ Add to standard product list in literature (Maxine)
____ Add to price list (Vern)
cc/ Greg P, Paul V, Regional Sales Staff Globally

W.O.# 19898

Number :DN#27159 - IRCON INFRARAIL IRT SO-LI: 89433*2

Level	Part Number	Description	Quantity	UM	Alt	MB X	ECO No.	ECO Date	Start Use	End Use
1	DN0DNE	DN PRICES	1.0000	EA		M P				
1	OK C11201-R713	SENSING HEAD FINAL ASSY	1.0000	EA		M P				
2	451323	FIELD STOP .044DIA	1.0000	EA		B	3709	05-17-1996		
2	C11201/01	SEE EXTENDED DESCRIPTION	0.0000	EA		M				
2	990300005	RETAINING RING 7/16 OD, .2	1.0000	EA		B	3709	05-17-1996		
2	431442	DET. LOCATOR MOD2	1.0000	EA		B	3709	05-17-1996		
2	C11209-R707	SH DETECTOR ASSEMBLY E HD	1.0000	EA		M P	3709	05-17-1996		
3	LR721-D	DET ASSY FOR SPL# R721	1.0000	EA		M P	3770	08-21-1996		
4	LR721-D/01	SEE EXTENDED DESCRIPTION	0.0000	EA		M P				
4	431432	DET. HOLDER MR20 SERIES	1.0000	EA		B				
4	640552	FILTER, BANDPASS	1.0000	EA		B				
4	590942	DETECTOR InGaAs 1.6u	1.0000	EA		B				
4	LR721-D/02	SEE EXTENDED DESCRIPTION	0.0000	EA		M P				
4	560372	CABLE PVC 1 COND SHIELD 2	3.0000	IN		B				
4	312430100	WIRE 24AWG BARE SOLID	1.0000	IN		B				
4	430292	CONN. GASKET 2000 SERIES	1.0000	EA		B				
4	575892	CONN. CIRC 3 RECPT 10SL-3	1.0000	EA		B				
4	490042	SPRING DETECTOR RETAINER	1.0000	EA		B				
4	630092	FOLDING MIRROR SH MROA SE	1.0000	EA		B				
4	490032	SPRING FOLDING MIRROR MOD	1.0000	EA		B				
4	200204130	SCREW #2-56 X 1/8 PH SLOT	1.0000	EA		B				
4	990100016	EPOXY HARDMAN #4001 3-5 M	1.0000	EA		B				
4	3214G00X0	TUBING #14 PVC CLEAR	1.0000	IN		B				
2	447352	SENSOR, E-HEAD	1.0000	EA		B	3709	05-17-1996		
2	610432	EYE LENS FOR A HEAD	1.0000	EA		B	3709	05-17-1996		
2	990100002	EPOXY HARDMAN #4005 GEN P	1.0000	EA		B	3709	05-17-1996		
2	447372	FIELD STOP, .312 DIA	1.0000	EA		B	3709	05-17-1996		
2	447382	FIELD STOP, .437 DIA	1.0000	EA		B	3709	05-17-1996		
2	610402	LENS PLANO CONVEX 30" F/L	1.0000	EA		B	3709	05-17-1996		
2	431752	O RING 13/16 X 1/16 TH 70	1.0000	EA		B	3709	05-17-1996		
2	447362	LENS RING E-HEAD SENSOR	1.0000	EA		B	3709	05-17-1996		
2	200412440	SCREW #4-40 X 3/8 FIL SLO	4.0000	EA		B	3709	05-17-1996		
2	220403200	WASHER #4 LOCK SPLIT RING	4.0000	EA		B	3709	05-17-1996		
2	454152	SCREW, ADJUSTMENT,	1.0000	EA		B	3709	05-17-1996		
2	433372	O RING 3/32 X 7/32 X 1/16	1.0000	EA		B	3709	05-17-1996		
2	220602200	WASHER #6 LOCK EXT TOOTH	1.0000	EA		B	3709	05-17-1996		
2	200606040	SCREW #6-32 X 3/16 PH SLO	1.0000	EA		B	3709	05-17-1996		
2	C11201/02	SEE EXTENDED DESCRIPTION	0.0000	EA		M				
2	443502	RETAINING NUT	1.0000	EA		B	3709	05-17-1996		
2	477142	LABEL, SERIAL NUMBER, SEN	1.0000	EA		B	3709	05-17-1996		
2	474772	LABEL GROUND WARNING	1.0000	EA		B	3709	05-17-1996		
2	T-C11201-1	DETERMINE IF CABLE IS REQ	0.0000	EA		B	3709	05-17-1996		
2	C11201/03	SEE EXTENDED DESCRIPTION	0.0000	EA		M				
2	999900013	CAP PLUG #SC-1-1/4	1.0000	EA		B	3709	05-17-1996		
2	990100028	SEALANT RTV SILICONE BLAC	1.0000	EA		B	3709	05-17-1996		
2	999900014	STEM BUMPER 3/8OD .275T	1.0000	EA		B	3709	05-17-1996		
1	D11198	PVC-(INT/EXT-E/F SERIES) (1.0000	EA		M P				
2	560052	CABLE PVC 2 COND 1100/200	1.0000	FT		B	3913	04-02-1997		
2	D11198/01	SEE EXTENDED DESCRIPTION	0.0000	EA		M				
2	D11198/02	SEE EXTENDED DESCRIPTION	0.0000	EA		M				
2	D11198/03	SEE EXTENDED DESCRIPTION	8.0000	EA		M				
2	575882	CONN. CIRC 10SL-3 BACKSHE	1.0000	EA		B	3913	04-02-1997		
2	3210G00X0	TUBING #10 PVC CLEAR	3.0000	IN		B	3913	04-02-1997		
2	3212G00X0	TUBING #12 PVC CLEAR	1.0000	IN		B	3913	04-02-1997		
2	575902	CONN. CIRC 10SL-3 STR PLU	1.0000	EA		B	3913	04-02-1997		
2	3216I1400	TUBING 1/4" SHRINKABLE BL	1.0000	IN		B	3913	04-02-1997		
2	990100027	ADHESIVE LOCTITE 272	1.0000	EA		B	3913	04-02-1997		
2	C-CABLE	DETERMINE CABLE LENGTH FR	1.0000	EA		M P	3913	04-02-1997		
2	477202	LABEL INFRARAIL (2.0" X 0	1.0000	EA		B	3913	04-02-1997		
1	U-D11198-C	12 FEET OF CABLE	1.0000	EA		M P				
2	560052	CABLE PVC 2 COND 1100/200	12.0000	FT		B				
1	U-M1-R729	MODULE ASSY M1-INFRARAIL	1.0000	EA		M P				
2	102103011	RES. 210K OHM MF 1/4W 1%	1.0000	EA		B				
2	101872011	RES. 18.7K OHM MF 1/4W 1%	1.0000	EA		B				
2	101243011	RES. 124K OHM MF 1/4W 1%	1.0000	EA		B				
2	101502011	RES. 15.0K OHM MF 1/4W 1%	1.0000	EA		B				
2	105902011	RES. 59.0K OHM MF 1/4W 1%	1.0000	EA		B				
2	101002011	RES. 10.0K OHM MF 1/4W 1%	1.0000	EA		B				

R729

Number :DN#27159 - IRCON INFRARAIL IRT SO-LI: 89433*2

Level	Part Number	Description	Quantity	UM	Alt	MB X	ECO No.	ECO Date	Start Use	End Use
2	109532011	RES. 95.3K OHM MF 1/4W 1%	1.0000	EA		B				
2	106341011	RES. 6.34K OHM MF 1/4W 1%	1.0000	EA		B				
2	101583011	RES. 158K OHM MF 1/4W 1%	1.0000	EA		B				
2	103831011	RES. 3.83K OHM MF 1/4W 1%	1.0000	EA		B				
2	102743011	RES. 274K OHM MF 1/4W 1%	1.0000	EA		B				
2	102151011	RES. 2.15K OHM MF 1/4W 1%	1.0000	EA		B				
2	104873011	RES. 487K OHM MF 1/4W 1%	1.0000	EA		B				
2	101211011	RES. 1.21K OHM MF 1/4W 1%	1.0000	EA		B				
2	109093011	RES. 909K OHM MF 1/4W 1%	1.0000	EA		B				
2	106340011	RES. 634 OHM MF 1/4W 1%	1.0000	EA		B				
2	101744011	RES. 1.74M OHM MF 1/4W 1%	1.0000	EA		B				
2	103320011	RES. 332 OHM MF 1/4W 1%	1.0000	EA		B				
2	102870011	RES. 287 OHM MF 1/4W 1%	1.0000	EA		B				
2	103574011	RES. 3.57M OHM MF 1/4W 1%	1.0000	EA		B				
1	D11191	INFRARAIL BOX ASSEMBLY	1.0000	EA		M P				
2	433332	ENCLOSURE, DIN BOX, MODIF	1.0000	EA		B	3671	04-08-1996		
2	C11187	POWER SUPPLY/ PEAK-PICKER	1.0000	EA		M P	3671	04-08-1996		
3	C20212	SCHEMATIC: POWER SUPPLY/	1.0000	EA		M P	4202	01-14-1999		
3	LDN200	PWR SUPPLY/ PP PCB ASSY	1.0000	EA		M P	4202	01-14-1999		
4	502505	PCB DIN RAIL POWER PEAK-P	1.0000	EA		B	3769	08-05-1996		
4	LDN200/01	SEE EXTENDED DESCRIPTION	0.0000	EA		M P				
4	533082	TRAN. MJE800 NPN - DARLIN	1.0000	EA		B	3769	08-05-1996		
4	LDN200/02	SEE EXTENDED DESCRIPTION	0.0000	EA		M P				
4	LDN200/03	SEE EXTENDED DESCRIPTION	0.0000	EA		M P				
4	530882	DIODE 1N4002 GP RECTIFIER	1.0000	EA		B	3769	08-05-1996		
4	532952	OP-AMP ULTRA LOW BIAS	2.0000	EA		B	3769	08-05-1996		
4	532322	IC 4053B ANALOG MUX/DEMUX	1.0000	EA		B	4842	07-31-2002		
4	531862	OP-AMP LM346N PROGRAM QUA	1.0000	EA		B	3769	08-05-1996		
4	102493011	RES. 249K OHM MF 1/4W 1%	1.0000	EA		B	3769	08-05-1996		
4	103321011	RES. 3.32K OHM MF 1/4W 1%	1.0000	EA		B	3769	08-05-1996		
4	101820011	RES. 182 OHM MF 1/4W 1%	1.0000	EA		B	3769	08-05-1996		
4	104421011	RES. 4.42K OHM MF 1/4W 1%	1.0000	EA		B	3769	08-05-1996		
4	106654011	RES. 6.65M OHM MF 1/4W 1%	1.0000	EA		B	3769	08-05-1996		
4	104993011	RES. 499K OHM MF 1/4W 1%	1.0000	EA		B	3769	08-05-1996		
4	104021011	RES. 4.02K OHM MF 1/4W 1%	1.0000	EA		B	3769	08-05-1996		
4	105364011	RES. 5.36M OHM MF 1/4W 1%	2.0000	EA		B	3769	08-05-1996		
4	103480011	RES. 348 OHM MF 1/4W 1%	1.0000	EA		B	3769	08-05-1996		
4	100000990	JUMPER DUMMY RESISTOR	5.0000	EA		B	3769	08-05-1996		
4	101000011	RES. 100 OHM MF 1/4W 1%	1.0000	EA		B	3769	08-05-1996		
4	101003011	RES. 100K OHM MF 1/4W 1%	1.0000	EA		B	3769	08-05-1996		
4	101004011	RES. 1.00M OHM MF 1/4W 1%	4.0000	EA		B	3769	08-05-1996		
4	102003011	RES. 200K OHM MF 1/4W 1%	2.0000	EA		B	3769	08-05-1996		
4	104991011	RES. 4.99K OHM MF 1/4W 1%	1.0000	EA		B	3769	08-05-1996		
4	101503011	RES. 150K OHM MF 1/4W 1%	1.0000	EA		B				
4	530572	DIODE 1N4446 SWITCHING	2.0000	EA		B	4906	05-19-2003		
4	530532	DIODE FD300 GENERAL PURPO	1.0000	EA		B	3769	08-05-1996		
4	521852	CAP. 0.68 MFD 50V CERAMIC	1.0000	EA		B	3769	08-05-1996		
4	521972	CAP. .047 MFD 50V CER X7	1.0000	EA		B	3769	08-05-1996		
4	521072	CAP. 22MFD 16V TANT 10%	2.0000	EA		B	3769	08-05-1996		
4	551122	CHOKO 9250-122 1.2 UH, .1	2.0000	EA		B	3769	08-05-1996		
4	521902	CAP. NPO 1000pf 200V .2LS	1.0000	EA		B	3769	08-05-1996		
4	521862	CAP. 3.3 MFD 50V CERAMC X	1.0000	EA		B	3769	08-05-1996		
4	521872	CAP. 1.0 MFD 50V CERAMIC	5.0000	EA		B	3769	08-05-1996		
4	522002	CAP. .01 MFD 200V CERAMIC	6.0000	EA		B	3769	08-05-1996		
4	531892	REG. LM317LZ +1.2/37V ADJ	1.0000	EA		B	3769	08-05-1996		
4	431902	BIVAR PERMO PAD 0.250 DIA	1.0000	EA		B	3769	08-05-1996		
4	530862	TRAN. 2N2222A NPN MED POW	1.0000	EA		B	3769	08-05-1996		
4	551152	INDUCTOR 100UH +/-10% IMS	2.0000	EA		B	3769	08-05-1996		
4	531882	DIODE LM385BZ-2.5 2.5V RE	6.0000	EA		B	3769	08-05-1996		
4	575602	CONN. HDR AMP STRAIGHT 5	1.0000	EA		B	3769	08-05-1996		
4	574592	CONN. HDR AMP STRAIGHT 4	1.0000	EA		B	3769	08-05-1996		
4	LDN200/04	SEE EXTENDED DESCRIPTION	0.0000	EA		M P				
4	572732	HEADER SNGL 36 PIN .1 CNT	11.0000	EA		B	3769	08-05-1996		
4	LDN200/05	SEE EXTENDED DESCRIPTION	0.0000	EA		M P				
2	C11186	PREAMP/ LINEARIZER PCB AS	1.0000	EA		M P	3671	04-08-1996		
3	C20211	SCHEMATIC: PREAMP/ LINEAR	1.0000	EA		M P	4785	03-05-2002		
3	LDN100	PREAMP/ LIN PCB ASSY INFR	1.0000	EA		M P	3659	04-12-1996		
4	502493	PCB DIN RAIL LINEARIZER	1.0000	EA		B	3767	08-07-1996		

Number :DN#27159 - IRCON INFRARAIL IRT SO-LI: 89433*2

Level	Part Number	Description	Quantity	UM	Alt	MB	X	ECO No.	ECO Date	Start Use	End Use
4	LDN100/01	SEE EXTENDED DESCRIPTION	0.0000	EA		M	P				
4	LDN100/02	SEE EXTENDED DESCRIPTION	0.0000	EA		M	P				
4	532982	OP-AMP AD548CQ LOW PWR	1.0000	EA		B		3767	08-07-1996		
4	531862	OP-AMP LM346N PROGRAM QUA	3.0000	EA		B		3767	08-07-1996		
4	530532	DIODE FD300 GENERAL PURPO	16.0000	EA		B		3767	08-07-1996		
4	514632	RES. 330K NETWORK 10 PIN	2.0000	EA		B		3767	08-07-1996		
4	514642	RES. 330K NETWORK 10 PIN	2.0000	EA		B		3767	08-07-1996		
4	104533011	RES. 453K OHM MF 1/4W 1%	1.0000	EA		B		3767	08-07-1996		
4	1010R0011	RES. 10.0 OHM MF 1/4W 1%	1.0000	EA		B		3767	08-07-1996		
4	102743011	RES. 274K OHM MF 1/4W 1%	1.0000	EA		B		3767	08-07-1996		
4	102103011	RES. 210K OHM MF 1/4W 1%	1.0000	EA		B		3767	08-07-1996		
4	105364011	RES. 5.36M OHM MF 1/4W 1%	6.0000	EA		B		3767	08-07-1996		
4	101002011	RES. 10.0K OHM MF 1/4W 1%	1.0000	EA		B		3767	08-07-1996		
4	101003011	RES. 100K OHM MF 1/4W 1%	1.0000	EA		B		3767	08-07-1996		
4	102003011	RES. 200K OHM MF 1/4W 1%	2.0000	EA		B		3767	08-07-1996		
4	101000011	RES. 100 OHM MF 1/4W 1%	2.0000	EA		B		3767	08-07-1996		
4	100000990	JUMPER DUMMY RESISTOR	1.0000	EA		B		3767	08-07-1996		
4	551122	CHOKE 9250-122 1.2 UH, .1	1.0000	EA		B		3767	08-07-1996		
4	540412	FERRITE BEAD ON LEAD AXIA	3.0000	EA		B		3767	08-07-1996		
4	522002	CAP. .01 MFD 200V CERAMIC	7.0000	EA		B		3767	08-07-1996		
4	521902	CAP. NPO 1000pf 200V .2LS	2.0000	EA		B		3767	08-07-1996		
4	521932	CAP. 100 PF COG 200V	1.0000	EA		B		3767	08-07-1996		
4	521962	CAP. 10Pf NPO 200V .2LS	2.0000	EA		B		3767	08-07-1996		
4	514612	POT. 50K 25T 1/2W 10%	1.0000	EA		B		3767	08-07-1996		
4	514242	POT. 25K OHM 25T 1/2W 10%	1.0000	EA		B		3767	08-07-1996		
4	514622	POT. 100K 25T 1/2W 10%	1.0000	EA		B		3767	08-07-1996		
4	574922	CONN. HDR AMP STRAIGHT 3	1.0000	EA		B		3767	08-07-1996		
4	LDN100/03	SEE EXTENDED DESCRIPTION	0.0000	EA		M	P				
4	574432	SOCKET 40 POS DIP .5HT EL	1.0000	EA		B		3767	08-07-1996		
4	LDN100/04	SEE EXTENDED DESCRIPTION	0.0000	EA		M	P				
4	526002	CAP. SMC 330Pf NPO 50V 5%	1.0000	EA		B		3767	08-07-1996		
4	572732	HEADER SNGL 36 PIN .1 CNT	11.0000	EA		B		3767	08-07-1996		
4	LDN100/05	SEE EXTENDED DESCRIPTION	0.0000	EA		M	P				
2	C11193	PCB INTERCONNECT ASSEMBLY	1.0000	EA		M	P	3671	04-08-1996		
3	LDN300	PCB INTERCONN ASSY (INFRA	1.0000	EA		M	P				
4	502533	PCB DIN RAIL POWER PEAK-P	1.0000	EA		B		3721	08-01-1996		
4	575922	CONN. FEMALE 11 POSITION	2.0000	EA		B		3721	08-01-1996		
2	477112	LABEL, COVER, DIN BOX	1.0000	EA		B		4909	06-11-2003		
2	C11190	DECAY RATE POT/ CONNECTOR	1.0000	EA		M	P	3671	04-08-1996		
3	LDN003	DECAY RATE POT/ CONN. ASS	1.0000	EA		M	P	4030	10-08-1997		
4	514592	POT. 50K OHM 1T 1/2W 10%	1.0000	EA		B					
4	LDN003/01	SEE EXTENDED DESCRIPTION	0.0000	EA		M	P				
4	302479000	WIRE 24AWG VIO/WHITE STRA	1.0000	IN		B					
4	302409000	WIRE 24AWG BLK/WHITE STRA	1.0000	IN		B					
4	302459000	WIRE 24AWG GRN/WHITE STRA	1.0000	IN		B					
4	574662	CONN. CONTACT 20-24 AWG C	3.0000	EA		B					
4	574692	CONN. HOUSING 5 POSITION-	1.0000	EA		B					
2	C11189	RESPONSE TIME POT/ CONNEC	1.0000	EA		M	P	3671	04-08-1996		
3	LDN002	RESP. TIME POT/ CONN. ASS	1.0000	EA		M	P				
4	514602	POT. 5M OHM 1T 1/2W 20% P	1.0000	EA		B					
4	302440000	WIRE 24AWG YEL/BLACK STRA	1.0000	IN		B					
4	302460000	WIRE 24AWG BLU/BLACK STRA	1.0000	IN		B					
4	302430000	WIRE 24AWG ORG/BLACK STRA	1.0000	IN		B					
4	574662	CONN. CONTACT 20-24 AWG C	3.0000	EA		B					
4	574682	CONN. HOUSING 4 POSITION-	1.0000	EA		B					
2	C11188	EMISSIVITY POT/ CONNECTOR	1.0000	EA		M	P	3671	04-08-1996		
3	LDN001	EMISSIVITY POT/ CONN. ASS	1.0000	EA		M	P	3767	08-07-1996		
4	513722	POT. 100K 2 DIGIT 1% DIGI	1.0000	EA		B		3767	08-07-1996		
4	30245X000	WIRE 24AWG GREEN STRANDED	1.0000	IN		B		3767	08-07-1996		
4	30249X000	WIRE 24AWG WHITE STRANDED	1.0000	IN		B		3767	08-07-1996		
4	30246X000	WIRE 24AWG BLUE STRANDED	1.0000	IN		B		3767	08-07-1996		
4	574662	CONN. CONTACT 20-24 AWG C	3.0000	EA		B		3767	08-07-1996		
4	574672	CONN. HOUSING 3 POSITION-	1.0000	EA		B		3767	08-07-1996		
4	477212	LABEL - CLEAR WINDOW	1.0000	EA		B		3767	08-07-1996		
2	575852	KNOB, 9MM COLLET TYPE,	2.0000	EA		B		3671	04-08-1996		
2	575872	POINTER, 9MM COLLET TYPE	2.0000	EA		B		3671	04-08-1996		
2	575862	CAP. 9MM COLLET TYPE KNOB	2.0000	EA		B		3671	04-08-1996		
2	C11194	MODULE ASSEMBLY - M1 - (I	1.0000	EA		M	P	3671	04-08-1996		

Number :DN#27159 - IRCON INFRARAIL IRT SO-LI: 89433*2

.....Level.....	..Part Number..Description.....	.Quantity.	.UM.	Alt.	MB X	.ECO No.	.ECO Date.	.Start Use	.End Use..
						UM				
3	573912	HEADER 40 PIN DIP .6 CENT	1.0000	EA		B				
3	T-C11194-1	SELECT "M1" MODULE VALUES	0.0000	EA		B				
3	T-C11194-3	GT M1 MODULE VALUES	0.0000	EA		B				
2	575912	CONN. KEYING ELEMENT (DN-	2.0000	EA		B	3671	04-08-1996		
2	477132	LABEL, SERIAL NUMBER, DIN	1.0000	EA		B	3671	04-08-1996		
2	477122	LABEL, DIN BOX, INFRARAIL	1.0000	EA		B	3671	04-08-1996		
2	574082	TERM. BLOCK JUMPER QUICK	1.0000	EA		B	3671	04-08-1996		
2	LDNKIT	MTG CLIP KIT FOR INFRARAI	1.0000	EA		M P	3671	04-08-1996		
3	990300010	CLIP MTG FOR DIN BOX	2.0000	EA		B	3694	04-17-1996		
3	LDNKIT/01	SEE EXTENDED DESCRIPTION	0.0000	EA		M P				
2	477182	LABEL-CE MARK (PRODUCTS)	1.0000	EA		B	3671	04-08-1996		



IRCON, INC T 847-967-5151
 7300 North Natchez Ave T 800-323-7660
 Niles, Illinois 60714 USA F 847-647-0948

Acknowledgment

ORDER DATE: 01 NOV 2005
 REV: DATE:

Customer No. 100426
 SOLD TO

SHIP TO

IRCON B.V.
 DATABANKWEG 6 C
 3821 AL AMERSFOORT
 THE NETHERLANDS

IRCON B.V.
 DATABANKWEG 6 C
 3821 AL AMERSFOORT
 THE NETHERLANDS

SPECIAL SHIPPING INSTRUCTIONS
 REF: 258640/WK27651

OUR ORDER No.		YOUR PO No.		F.O.B.		TAX	
89560		200540586		ORIGIN		Resale	
SHIP VIA		TERMS		DATE REQUESTED	SALES REPRESENTATIVE		
EXEL		0.00/0/180		11-23-05	1001 (100.00)		
LI	PART NO.	PRODUCT/DESCRIPTION	QTY	UNIT PRICE	DISC	NET PRICE	EXTENSION
1	DN-HO#27374 <i>W.O.# 19980</i>	DN_DNE31-13C <i>DNE99-99C</i> IRCON INFRARAIL IRT SENSING HEAD ONLY Consists of the following: 1.0000 - INFRARAIL HEAD ONLY 1.0000 - DN - E SERIES 1.0000 - D/100 RESOLUTION (E) 1.0000 - 800-1300C	1	363.61	0.0	363.61	363.61
		<i>Redo I po. No. R 729</i> <i>Temp range 450-1050C</i> <i>D/50 resolution +</i> <i>with cable break alarm</i>					
2	MOD-CHARGES	MODIFICATION OF PRODUCT	1	82.64	0.0	82.64	82.64
						<i>JTB 11/1/05</i>	
THIS ORDER IS ACCEPTED SUBJECT TO TERMS AND CONDITIONS SHOWN ON THIS AND THE REVERSE SIDE						GRAND TOTAL	ECU446.25

SHIP TO: IRCON, INC.
 7300 N. NATCHEZ AVE.
 NILES, IL 60714 USA

IF TAX EXEMPT, PLEASE PROVIDE COPY OF
 EXEMPTION OR DIRECT PAYMENT CERTIFICATE



IRCON, INC.
7300 North Natchez Avenue
Niles, Illinois 60714 USA

Telephone 847-967-5151
Toll Free 800-323-7660
Fax 847-647-0948

ISO 9001/QS 9000 TE
Quality Systems Certified

**Modified Standard Product
Data Form**

A modified standard product is a product that is based on a standard product found in the most recent price list. The modifications maybe items such as; temperature ranges, output types, resolution, response time and optical issues. A modified standard product form is to be completed and submitted to Steve Schumm and Gene Kalley for review and approval based on the modification (which we have done before). If the modification has not been done before, the approval will require the entire senior management team's approval BEFORE QUOTING. A modified standard product if approved; this product will become a price listed standard product. We can then pay commission as outlined in our most recent contract.

- Standard Product is a Model Number: DNE31-13C
- Standard Product List Price: \$ 440
- The product change requested would be: Reob R 729
450-10504, 1/50 + Cable Pk *Sales will attach specifics to this form.*
- The market is willing to pay: 540 for this product (total including standard price).
- What is engineering's expected time investment and cost: 1 hour Man Days
\$ 100⁰⁰
- What is production's expected purchasing and production time requirement: Days
- This new product has potential in the following application and estimated potential per year would be per year:

- This product will be not be quoted and produced as previously outlined.
- Agreed on this date of By production/purchasing
By engineering A-DONADO 11/2/05
W.O. # 19980
- Sales can now quote this project for \$ per unit.
 lead time.

 Add to standard product list in literature (Maxine)
 Add to price list (Vern)
cc/ Greg P, Paul V, Regional Sales Staff Globally



IRCON, INC T 847-967-5151
 7300 North Natchez Ave T 800-323-7660
 Niles, Illinois 60714 USA F 847-647-0948

Acknowledgment

ORDER DATE: 13 JAN 2006

REV: DATE:

Customer No. 002066

SOLD TO

SHIP TO

MUELLER COPPER TUBE
 400 MUELLER ROAD
 FULTON, MS 38843

MUELLER INDUSTRIES INC.
 STANDARD PRODUCTS DIV
 8285 TOURNAMENT DRIVE
 SUITE 150, ACCTS PAYABLE
 MEMPHIS, TN 38125

SPECIAL SHIPPING INSTRUCTIONS

OUR ORDER No.		YOUR PO No.		F.O.B.			TAX	
90138		F48096		ORIGIN			Resale	
SHIP VIA		TERMS		DATE REQUESTED	SALES REPRESENTATIVE			
UPS		0.00/0/30		01-31-06	1009 (100.00)			
LI	PART NO.	PRODUCT/DESCRIPTION		QTY	UNIT PRICE	DISC	NET PRICE	EXTENSION
1	DN-HO#28383 <i>w.o.# 20546</i>	DN_DNE31-13C <i>DNE99-99C</i> IRCON INFRARAIL IRT SENSING HEAD ONLY Consists of the following: 1.0000 - INFRARAIL HEAD ONLY 1.0000 - DN - E SERIES 1.0000 - D/100' RESOLUTION (E) 1.0000 - 800-1300C		1	1270.00	0.0	1270.00	1270.00
				<i>Redo Spec No R729 Temp 450 to 1050 C D/50 Resolution with cable break alarm</i>				
				<i>MAB 1/13/06</i>				
THIS ORDER IS ACCEPTED SUBJECT TO TERMS AND CONDITIONS SHOWN ON THIS AND THE REVERSE SIDE					GRAND TOTAL		USD1,270.00	

SHIP TO: IRCON, INC.
 7300 N. NATCHEZ AVE.
 NILES, IL 60714 USA

IF TAX EXEMPT, PLEASE PROVIDE COPY OF EXEMPTION OR DIRECT PAYMENT CERTIFICATE



IRCON, INC.
7300 North Natchez Avenue
Niles, Illinois 60714 USA

Telephone 847-967-5151
Toll Free 800-323-7660
Fax 847-647-0948

ISO 9001/OS 9000 TE
Quality Systems Certified

**Modified Standard Product
Data Form**

A modified standard product is a product that is based on a standard product found in the most recent price list. The modifications maybe items such as; temperature ranges, output types, resolution, response time and optical issues. A modified standard product form is to be completed and submitted to Steve Schumm and Gene Kalley for review and approval based on the modification (which we have done before). If the modification has not been done before, the approval will require the entire senior management team's approval BEFORE QUOTING. A modified standard product if approved; this product will become a price listed standard product. We can then pay commission as outlined in our most recent contract.

- Standard Product is a Model Number: DAVE31-13C
- Standard Product List Price: \$ 1120
- The product change requested would be: Reqd R729, 450-1050c
2/50+ Cable Bealcom *Sales will attach specifics to this form.*
- The market is willing to pay: 1270 for this product (total including standard price).
- What is engineering's expected time investment and cost: 1 hour Man Days
\$ 100⁰⁰
- What is production's expected purchasing and production time requirement: Days
- This new product has potential in the following application and estimated potential per year would be per year.

-
- This product will be not be quoted and produced as previously outlined.
 - Agreed on this date of By production/purchasing
By engineering ✓ A. DONADO 1/16/06
 - Sales can now quote this project for \$ per unit. W.O. # 20546
 lead time.

 Add to standard product list in literature (Maxine)
 Add to price list (Vern)
cc/ Greg P, Paul V, Regional Sales Staff Globally



IRCON, INC T 847-967-5151
 7300 North Natchez Ave T 800-323-7660
 Niles, Illinois 60714 USA F 847-647-0948

Acknowledgment

ORDER DATE: 12 JAN 2006

REV: DATE:

Customer No. 002066

SOLD TO

SHIP TO

MUELLER COPPER TUBE
 400 MUELLER ROAD
 FULTON, MS 38843

MUELLER INDUSTRIES INC.
 STANDARD PRODUCTS DIV
 8285 TOURNAMENT DRIVE
 SUITE 150, ACCTS PAYABLE
 MEMPHIS, TN 38125

SPECIAL SHIPPING INSTRUCTIONS

OUR ORDER No.		YOUR PO No.		F.O.B.			TAX
90133		F47978		ORIGIN			Resale
SHIP VIA		TERMS		DATE REQUESTED	SALES REPRESENTATIVE		
UPS		0.00/0/30		02-06-06	1009 (100.00)		
LI	PART NO.	PRODUCT/DESCRIPTION	QTY	UNIT PRICE	DISC	NET PRICE	EXTENSION
1	DN-HO#28370 <i>w.c.# 20547</i>	DN_DNE31-13C <i>DNE44-99C</i> IRCON INFRARAIL IRT SENSING HEAD ONLY Consists of the following: 1.0000 - INFRARAIL HEAD ONLY 1.0000 - DN - E SERIES 1.0000 - D/100 RESOLUTION (E) 1.0000 - 800-1300C	2	1270.00	0.0	1270.00	2540.00
<p><i>Head Type No R729 Temp range 450 to 1050C D/100 resolution and cable break alarm</i></p> <p><i>WTB 1/12/06</i></p>							
THIS ORDER IS ACCEPTED SUBJECT TO TERMS AND CONDITIONS SHOWN ON THIS AND THE REVERSE SIDE						GRAND TOTAL	USD2,540.00

SHIP TO: IRCON, INC.
 7300 N. NATCHEZ AVE.
 NILES, IL 60714 USA

IF TAX EXEMPT, PLEASE PROVIDE COPY OF
 EXEMPTION OR DIRECT PAYMENT CERTIFICATE



IRCON, INC.
 7300 North Natchez Avenue
 Niles, Illinois 60714 USA

Telephone 847-967-5151
 Toll Free 800-323-7660
 Fax 847-647-0948

ISO 9001/OS 9000 TE
 Quality Systems Certified

Modified Standard Product
Data Form

A modified standard product is a product that is based on a standard product found in the most recent price list. The modifications maybe items such as; temperature ranges, output types, resolution, response time and optical issues. A modified standard product form is to be completed and submitted to Steve Schumm and Gene Kalley for review and approval based on the modification (which we have done before). If the modification has not been done before, the approval will require the entire senior management team's approval BEFORE QUOTING. A modified standard product if approved; this product will become a price listed standard product. We can then pay commission as outlined in our most recent contract.

- Standard Product is a Model Number: DNEB1-13C
- Standard Product List Price: \$ 1120.-
- The product change requested would be: Reds R729, 450-1050c
D/50 + Cable Break Alarm *Sales will attach specifics to this form.*
- The market is willing to pay: 1270 for this product (total including standard price).
- What is engineering's expected time investment and cost: 1 hour Man Days
\$ 100⁰⁰
- What is production's expected purchasing and production time requirement: Days
- This new product has potential in the following application and estimated potential per year would be per year:

➤ This product will be not be quoted and produced as previously outlined.

➤ Agreed on this date of By production/purchasing
 By engineering A. DONADO 1/16/06

➤ Sales can now quote this project for \$ per unit. W.O. # 20547
 lead time.

 Add to standard product list in literature (Maxine)
 Add to price list (Vern)
 cc/ Greg P, Paul V, Regional Sales Staff Globally

W.O.# 20547

Number :DN-HO#28370 - IRCON INFRARAIL IRT SO-LI: 90133*1

Level	Part Number	Description	Quantity	UM	Alt	MB	X	ECO No.	ECO Date	Start Use	End Use
1	DN1DNE	DN PRICES	1.0000	EA		M	P				
1	C11201-R713	SENSING HEAD FINAL ASSY	1.0000	EA		M	P				
2	451323	FIELD STOP .044DIA	1.0000	EA		B		3709	05-17-1996		
2	C11201/01	SEE EXTENDED DESCRIPTION	0.0000	EA		M					
2	990300005	RETAINING RING 7/16 OD, .2	1.0000	EA		B		3709	05-17-1996		
2	431442	DET. LOCATOR MOD2	1.0000	EA		B		3709	05-17-1996		
2	C11209-R707	SH DETECTOR ASSEMBLY E HD	1.0000	EA		M	P	3709	05-17-1996		
3	LR721-D	DET ASSY FOR SPL# R721	1.0000	EA		M	P	3770	08-21-1996		
4	LR721-D/01	SEE EXTENDED DESCRIPTION	0.0000	EA		M	P				
4	431432	DET. HOLDER MR20 SERIES	1.0000	EA		B					
4	640552	FILTER, BANDPASS	1.0000	EA		B					
4	590942	DETECTOR InGaAs 1.6u	1.0000	EA		B					
4	LR721-D/02	SEE EXTENDED DESCRIPTION	0.0000	EA		M	P				
4	560372	CABLE PVC 1 COND SHIELD 2	3.0000	IN		B					
4	312430100	WIRE 24AWG BARE SOLID	1.0000	IN		B					
4	430292	CONN. GASKET 2000 SERIES	1.0000	EA		B					
4	575892	CONN. CIRC 3 RECPT 10SL-3	1.0000	EA		B					
4	490042	SPRING DETECTOR RETAINER	1.0000	EA		B					
4	630092	FOLDING MIRROR SH MROA SE	1.0000	EA		B					
4	490032	SPRING FOLDING MIRROR MOD	1.0000	EA		B					
4	200204130	SCREW #2-56 X 1/8 PH SLOT	1.0000	EA		B					
4	990100016	EPOXY HARDMAN #4001 3-5 M	1.0000	EA		B					
4	3214G00X0	TUBING #14 PVC CLEAR	1.0000	IN		B					
2	447352	SENSOR, E-HEAD	1.0000	EA		B		3709	05-17-1996		
2	610432	EYE LENS FOR A HEAD	1.0000	EA		B		3709	05-17-1996		
2	990100002	EPOXY HARDMAN #4005 GEN P	1.0000	EA		B		3709	05-17-1996		
2	447372	FIELD STOP, .312 DIA	1.0000	EA		B		3709	05-17-1996		
2	447382	FIELD STOP, .437 DIA	1.0000	EA		B		3709	05-17-1996		
2	610402	LENS PLANO CONVEX 30" F/L	1.0000	EA		B		3709	05-17-1996		
2	431752	O RING 13/16 X 1/16 TH 70	1.0000	EA		B		3709	05-17-1996		
2	447362	LENS RING E-HEAD SENSOR	1.0000	EA		B		3709	05-17-1996		
2	200412440	SCREW #4-40 X 3/8 FIL SLO	4.0000	EA		B		3709	05-17-1996		
2	220403200	WASHER #4 LOCK SPLIT RING	4.0000	EA		B		3709	05-17-1996		
2	454152	SCREW, ADJUSTMENT,	1.0000	EA		B		3709	05-17-1996		
2	433372	O RING 3/32 X 7/32 X 1/16	1.0000	EA		B		3709	05-17-1996		
2	220602200	WASHER #6 LOCK EXT TOOTH	1.0000	EA		B		3709	05-17-1996		
2	200606040	SCREW #6-32 X 3/16 PH SLO	1.0000	EA		B		3709	05-17-1996		
2	C11201/02	SEE EXTENDED DESCRIPTION	0.0000	EA		M					
2	443502	RETAINING NUT	1.0000	EA		B		3709	05-17-1996		
2	477142	LABEL, SERIAL NUMBER, SEN	1.0000	EA		B		3709	05-17-1996		
2	474772	LABEL GROUND WARNING	1.0000	EA		B		3709	05-17-1996		
2	T-C11201-1	DETERMINE IF CABLE IS REQ	0.0000	EA		B		3709	05-17-1996		
2	C11201/03	SEE EXTENDED DESCRIPTION	0.0000	EA		M					
2	999900013	CAP PLUG #SC-1-1/4	1.0000	EA		B		3709	05-17-1996		
2	990100028	SEALANT RTV SILICONE BLAC	1.0000	EA		B		3709	05-17-1996		
2	999900014	STEM BUMPER 3/8OD .275T	1.0000	EA		B		3709	05-17-1996		

R 729 (sensor only)

W O # 20546

Number :DN-HO#28383 - IRCON INFRARAIL IRT SO-LI: 90138*1

Level	Part Number	Description	Quantity	UM	Alt	MB	X	ECO No.	ECO Date	Start Use	End Use
1	DN1DNE	DN PRICES	1.0000	EA							
1	OK C11201-R713	SENSING HEAD FINAL ASSY	1.0000	EA							
2	451323	FIELD STOP .044DIA	1.0000	EA		B		3709	05-17-1996		
2	C11201/01	SEE EXTENDED DESCRIPTION	0.0000	EA		M					
2	990300005	RETAINING RING 7/16 OD,.2	1.0000	EA		B		3709	05-17-1996		
2	431442	DET. LOCATOR MOD2	1.0000	EA		B		3709	05-17-1996		
2	C11209-R707	SH DETECTOR ASSEMBLY E HD	1.0000	EA		M	P	3709	05-17-1996		
3	LR721-D	DET ASSY FOR SPL# R721	1.0000	EA		M	P	3770	08-21-1996		
4	LR721-D/01	SEE EXTENDED DESCRIPTION	0.0000	EA		M	P				
4	431432	DET. HOLDER MR20 SERIES	1.0000	EA		B					
4	640552	FILTER, BANDPASS	1.0000	EA		B					
4	590942	DETECTOR InGaAs 1.6u	1.0000	EA		B					
4	LR721-D/02	SEE EXTENDED DESCRIPTION	0.0000	EA		M	P				
4	560372	CABLE PVC 1 COND SHIELD 2	3.0000	IN		B					
4	312430100	WIRE 24AWG BARE SOLID	1.0000	IN		B					
4	430292	CONN. GASKET 2000 SERIES	1.0000	EA		B					
4	575892	CONN. CIRC 3 RECPT 10SL-3	1.0000	EA		B					
4	490042	SPRING DETECTOR RETAINER	1.0000	EA		B					
4	630092	FOLDING MIRROR SH MROA SE	1.0000	EA		B					
4	490032	SPRING FOLDING MIRROR MOD	1.0000	EA		B					
4	200204130	SCREW #2-56 X 1/8 PH SLOT	1.0000	EA		B					
4	990100016	EPOXY HARDMAN #4001 3-5 M	1.0000	EA		B					
4	3214G00X0	TUBING #14 PVC CLEAR	1.0000	IN		B					
2	447352	SENSOR, E-HEAD	1.0000	EA		B		3709	05-17-1996		
2	610432	EYE LENS FOR A HEAD	1.0000	EA		B		3709	05-17-1996		
2	990100002	EPOXY HARDMAN #4005 GEN P	1.0000	EA		B		3709	05-17-1996		
2	447372	FIELD STOP, .312 DIA	1.0000	EA		B		3709	05-17-1996		
2	447382	FIELD STOP, .437 DIA	1.0000	EA		B		3709	05-17-1996		
2	610402	LENS PLANO CONVEX 30" F/L	1.0000	EA		B		3709	05-17-1996		
2	431752	O RING 13/16 X 1/16 TH 70	1.0000	EA		B		3709	05-17-1996		
2	447362	LENS RING E-HEAD SENSOR	1.0000	EA		B		3709	05-17-1996		
2	200412440	SCREW #4-40 X 3/8 FIL SLO	4.0000	EA		B		3709	05-17-1996		
2	220403200	WASHER #4 LOCK SPLIT RING	4.0000	EA		B		3709	05-17-1996		
2	454152	SCREW, ADJUSTMENT,	1.0000	EA		B		3709	05-17-1996		
2	433372	O RING 3/32 X 7/32 X 1/16	1.0000	EA		B		3709	05-17-1996		
2	220602200	WASHER #6 LOCK EXT TOOTH	1.0000	EA		B		3709	05-17-1996		
2	200606040	SCREW #6-32 X 3/16 PH SLO	1.0000	EA		B		3709	05-17-1996		
2	C11201/02	SEE EXTENDED DESCRIPTION	0.0000	EA		M					
2	443502	RETAINING NUT	1.0000	EA		B		3709	05-17-1996		
2	477142	LABEL, SERIAL NUMBER, SEN	1.0000	EA		B		3709	05-17-1996		
2	474772	LABEL GROUND WARNING	1.0000	EA		B		3709	05-17-1996		
2	T-C11201-1	DETERMINE IF CABLE IS REQ	0.0000	EA		B		3709	05-17-1996		
2	C11201/03	SEE EXTENDED DESCRIPTION	0.0000	EA		M					
2	999900013	CAP PLUG #SC-1-1/4	1.0000	EA		B		3709	05-17-1996		
2	990100028	SEALANT RTV SILICONE BLAC	1.0000	EA		B		3709	05-17-1996		
2	999900014	STEM BUMPER 3/8OD .275T	1.0000	EA		B		3709	05-17-1996		

R729 (Sensor Only)

Acknowledgment



IRCON, INC.
7300 N. Natchez Ave.
Niles, IL 60714 USA

Phone 847-967-5151
Toll Free 800-323-7660
Fax 847-647-0948

SOLD TO _____ CUSTOMER NO. 100426

IRCON B.V.
DATABANKWEG 6 C
3821 AL AMERSFOORT

THE NETHERLANDS

REQUEST DATE (MM-DD-YY) 03-04-05 PROMISE DATE (MM-DD-YY) 03-04-05

OUR ORDER NO. 87563 ORDER DATE (MM-DD-YY) 02-18-05

YOUR ORDER NO. 200540090

TERMS 0.00/0/180

QUOTE # _____

F.O.B. ORIGIN

SHIPPING ADDRESS _____ TAX CODE NO TAX

IRCON B.V.
DATABANKWEG 6 C
3821 AL AMERSFOORT

THE NETHERLANDS

CODE 1001 (100.00)

VIA EXEL

SPECIAL SHIPPING INSTRUCTIONS REF: 4800003193

DNE99-99C

LI	PART NO.	DESCRIPTION	QTY	DSCNT %	UNIT PRICE	AMOUNT
1	DN#24331 <i>W.O. # 18170</i>	DN_DNE31-13C IRCON INFRARAIL IRT SYSTEM-COMLETE Consists of the following: 1.0000 - INFRARAIL 1.0000 - DN - E SERIES 1.0000 - Std Cbl Lgth 4 meters. 12ft 1.0000 - D/100 RESOLUTION (E) 1.0000 - 800-1300C DN_DNE31-13C	1	0.00	614.93	614.93
2	MOD-CHARGES	MODIFICATION OF PRODUCT	1	0.00	76.87	76.87
3	L11201	KIT CABLE E/F INT/EXT - S PVC - INFRARAIL	4	0.00	57.65	230.60
					GRAND TOTAL	ECU922.40

Rede Spec No R 729
Temp - 450-1050 C
D/50 Resolution
cable break alarm

Rth
2/8

THIS ORDER IS ACCEPTED SUBJECT TO TERMS AND CONDITIONS SHOWN ON THIS AND THE REVERSE SIDE

SHIP TO: IRCON, INC.
7300 N. NACHEZ AVE.
NILES, IL 60714 USA

IF TAX EXEMPT, PLEASE PROVIDE COPY OF EXEMPTION OR DIRECT PAYMENT CERTIFICATE.



IRCON, INC.
7300 North Natchez Avenue
Niles, Illinois 60714 USA

Telephone 847-967-5151
Toll Free 800-323-7660
Fax 847-647-0948

ISO 9001/QS 9000 TE
Quality Systems Certified

Modified Standard Product
Data Form

A modified standard product is a product that is based on a standard product found in the most recent price list. The modifications maybe items such as; temperature ranges, output types, resolution, response time and optical issues. A modified standard product form is to be completed and submitted to Steve Schumm and Gene Kalley for review and approval based on the modification (which we have done before). If the modification has not been done before, the approval will require the entire senior management team's approval BEFORE QUOTING. A modified standard product if approved; this product will become a price listed standard product. We can then pay commission as outlined in our most recent contract.

➤ Standard Product is a Model Number: DA/E 31-13C

➤ Standard Product List Price: \$ 900

➤ The product change requested would be: Reels R729

450-1050G D/50 Cable Break *Sales will attach specifics to this form.*

➤ The market is willing to pay \$ 1000 for this product (total including standard price).

➤ What is engineering's expected time investment and cost: 1 HOUR Man Days
\$ 100.00

➤ What is production's expected purchasing and production time requirement: Days

➤ This new product has potential in the following application and estimated potential per year would be per year:

➤ This product will be not be quoted and produced as previously outlined.

➤ Agreed on this date of By production/purchasing

By engineering A. DONADO 2/21/05

➤ Sales can now quote this project for \$ per unit. W.O.# 18170

 lead time.

 Add to standard product list in literature (Maxine)
 Add to price list (Vern)

cc/ Greg P, Paul V, Regional Sales Staff Globally



IRCON, INC T 847-967-5151
 7300 North Natchez Ave T 800-323-7660
 Niles, Illinois 60714 USA F 847-647-0948

Acknowledgment

ORDER DATE: 26 JAN 2006

REV: DATE:

Customer No. 100426

SOLD TO

SHIP TO

IRCON B.V.
 DATABANKWEG 6 C
 3821 AL AMERSFOORT
 THE NETHERLANDS

IRCON B.V.
 DATABANKWEG 6 C
 3821 AL AMERSFOORT
 THE NETHERLANDS

SPECIAL SHIPPING INSTRUCTIONS

REF: 260303/WK27863

OUR ORDER No.		YOUR PO No.		F.O.B.			TAX
90244		1146		ORIGIN			Resale
SHIP VIA		TERMS		DATE REQUESTED	SALES REPRESENTATIVE		
EXEL		0.00/0/180		02-10-06	1001 (100.00)		
LI	PART NO.	PRODUCT/DESCRIPTION	QTY	UNIT PRICE	DISC	NET PRICE	EXTENSION
1	DN#28533 <i>w.o.# 20646</i>	DN_DNE31-13C <i>DNE99-99C</i> IRCON INFRARAIL IRT SYSTEM-COMplete Consists of the following: 1.0000 - INFRARAIL 1.0000 - DN - E SERIES 1.0000 - Std Cbl Lgth 4 meters. 12ft 1.0000 - D/100 RESOLUTION (E) 1.0000 - 800-1300C	1	675.11	0.0	675.11	675.11
							<i>Redl Spec No R729 Temp range 450-1050C D/50 resolution with cable break alarm.</i>
2	MOD-CHARGES	MODIFICATION OF PRODUCT	1	84.39	0.0	84.39	84.39
3	DN-EM#28534	DN_DNE31-13C <i>DNE99-99C</i> IRCON INFRARAIL IRT PROCESSOR MODULE ONLY Consists of the following: 1.0000 - DN ELECTRONIC MODULE 1.0000 - DN - E SERIES 1.0000 - D/100 RESOLUTION (E) 1.0000 - 800-1300C	1	408.44	0.0	408.44	408.44
							<i>Same as item 1.</i>
4	MOD-CHARGES	MODIFICATION OF PRODUCT	1	84.39	0.0	84.39	84.39
THIS ORDER IS ACCEPTED SUBJECT TO TERMS AND CONDITIONS SHOWN ON THIS AND THE REVERSE SIDE				GRAND TOTAL		ECU1,252.33	

SHIP TO: IRCON, INC.
 7300 N. NATCHEZ AVE.
 NILES, IL 60714 USA

IF TAX EXEMPT, PLEASE PROVIDE COPY OF EXEMPTION OR DIRECT PAYMENT CERTIFICATE



IRCON, INC.
7300 North Natchez Avenue
Niles, Illinois 60714 USA

Telephone 847-967-5151
Toll Free 800-323-7660
Fax 847-647-0948

ISO 9001/QS 9000 TE
Quality Systems Certified

Modified Standard Product Data Form

A modified standard product is a product that is based on a standard product found in the most recent price list. The modifications maybe items such as; temperature ranges, output types, resolution, response time and optical issues. A modified standard product form is to be completed and submitted to Steve Schumm and Gene Kalley for review and approval based on the modification (which we have done before). If the modification has not been done before, the approval will require the entire senior management team's approval BEFORE QUOTING. A modified standard product if approved; this product will become a price listed standard product. We can then pay commission as outlined in our most recent contract.

- Standard Product is a Model Number: DNE31-13C
- Standard Product List Price: \$ 900
- The product change requested would be: Red R729, 450-1050C
0/50 res, cable & alarm *Sales will attach specifics to this form.*
- The market is willing to pay \$ 1000 for this product (total including standard price).
- What is engineering's expected time investment and cost: 1 hour Man Days
\$ 100.00
- What is production's expected purchasing and production time requirement: _____ Days
- This new product has potential in the following application and estimated potential per year would be _____ per year:

➤ This product will be not be _____ quoted and produced as previously outlined.

➤ Agreed on this date of _____ By production/purchasing _____

By engineering A. DONADO 1/30/06

➤ Sales can now quote this project for \$ _____ per unit. W.O. # 20647 &

_____ lead time. 20646

_____ Add to standard product list in literature (Maxine)

_____ Add to price list (Vern)

cc/ Greg P, Paul V, Regional Sales Staff Globally

W.O.# 20647

Number :DN-EM#28534 - IRCON INFRARAIL IRT SO-LI: 90244*3

Level	Part Number	Description	Quantity	UM	Alt	MB X	ECO No.	ECO Date	Start Use	End Use
1	DN2DN	DN PRICES	1.0000	EA		M P				
1	D11191	INFRARAIL BOX ASSEMBLY	1.0000	EA		M P				
2	433332	ENCLOSURE, DIN BOX, MODIF	1.0000	EA		B	3671	04-08-1996		
2	C11187	POWER SUPPLY/ PEAK-PICKER	1.0000	EA		M P	3671	04-08-1996		
3	C20212	SCHEMATIC: POWER SUPPLY/	1.0000	EA		M P	4202	01-14-1999		
3	LDN200	PWR SUPPLY/ PP PCB ASSY	1.0000	EA		M P	4202	01-14-1999		
4	502505	PCB DIN RAIL POWER PEAK-P	1.0000	EA		B	3769	08-05-1996		
4	LDN200/01	SEE EXTENDED DESCRIPTION	0.0000	EA		M P				
4	533082	TRAN. MJE800 NPN - DARLIN	1.0000	EA		B	3769	08-05-1996		
4	LDN200/02	SEE EXTENDED DESCRIPTION	0.0000	EA		M P				
4	LDN200/03	SEE EXTENDED DESCRIPTION	0.0000	EA		M P				
4	530882	DIODE 1N4002 GP RECTIFIER	1.0000	EA		B	3769	08-05-1996		
4	532952	OP-AMP ULTRA LOW BIAS	2.0000	EA		B	3769	08-05-1996		
4	532322	IC 4053B ANALOG MUX/DEMUX	1.0000	EA		B	4842	07-31-2002		
4	531862	OP-AMP LM346N PROGRAM QUA	1.0000	EA		B	3769	08-05-1996		
4	102493011	RES. 249K OHM MF 1/4W 1%	1.0000	EA		B	3769	08-05-1996		
4	103321011	RES. 3.32K OHM MF 1/4W 1%	1.0000	EA		B	3769	08-05-1996		
4	101820011	RES. 182 OHM MF 1/4W 1%	1.0000	EA		B	3769	08-05-1996		
4	104421011	RES. 4.42K OHM MF 1/4W 1%	1.0000	EA		B	3769	08-05-1996		
4	106654011	RES. 6.65M OHM MF 1/4W 1%	1.0000	EA		B	3769	08-05-1996		
4	104993011	RES. 499K OHM MF 1/4W 1%	1.0000	EA		B	3769	08-05-1996		
4	104021011	RES. 4.02K OHM MF 1/4W 1%	1.0000	EA		B	3769	08-05-1996		
4	105364011	RES. 5.36M OHM MF 1/4W 1%	2.0000	EA		B	3769	08-05-1996		
4	103480011	RES. 348 OHM MF 1/4W 1%	1.0000	EA		B	3769	08-05-1996		
4	100000990	JUMPER DUMMY RESISTOR	5.0000	EA		B	3769	08-05-1996		
4	101000011	RES. 100 OHM MF 1/4W 1%	1.0000	EA		B	3769	08-05-1996		
4	101003011	RES. 100K OHM MF 1/4W 1%	1.0000	EA		B	3769	08-05-1996		
4	101004011	RES. 1.00M OHM MF 1/4W 1%	4.0000	EA		B	3769	08-05-1996		
4	102003011	RES. 200K OHM MF 1/4W 1%	2.0000	EA		B	3769	08-05-1996		
4	104991011	RES. 4.99K OHM MF 1/4W 1%	1.0000	EA		B	3769	08-05-1996		
4	101503011	RES. 150K OHM MF 1/4W 1%	1.0000	EA		B				
4	530572	DIODE 1N4446 SWITCHING	2.0000	EA		B	4906	05-19-2003		
4	530532	DIODE FD300 GENERAL PURPO	1.0000	EA		B	3769	08-05-1996		
4	521852	CAP. 0.68 MFD 50V CERAMIC	1.0000	EA		B	3769	08-05-1996		
4	521972	CAP. .047 MFD 50V CER X7	1.0000	EA		B	3769	08-05-1996		
4	521072	CAP. 22MFD 16V TANT 10%	2.0000	EA		B	3769	08-05-1996		
4	551122	CHOKO 9250-122 1.2 UH, .1	2.0000	EA		B	3769	08-05-1996		
4	521902	CAP. NPO 1000pf 200V .2LS	1.0000	EA		B	3769	08-05-1996		
4	521862	CAP. 3.3 MFD 50V CERAMC X	1.0000	EA		B	3769	08-05-1996		
4	521872	CAP. 1.0 MFD 50V CERAMIC	5.0000	EA		B	3769	08-05-1996		
4	522002	CAP. .01 MFD 200V CERAMIC	6.0000	EA		B	3769	08-05-1996		
4	531892	REG. LM317LZ +1.2/37V ADJ	1.0000	EA		B	3769	08-05-1996		
4	431902	BIVAR PERMO PAD 0.250 DIA	1.0000	EA		B	3769	08-05-1996		
4	530862	TRAN. 2N2222A NPN MED POW	1.0000	EA		B	3769	08-05-1996		
4	551152	INDUCTOR 100UH +/-10% IMS	2.0000	EA		B	3769	08-05-1996		
4	531882	DIODE LM385BZ-2.5 2.5V RE	6.0000	EA		B	3769	08-05-1996		
4	575602	CONN. HDR AMP STRAIGHT 5	1.0000	EA		B	3769	08-05-1996		
4	574592	CONN. HDR AMP STRAIGHT 4	1.0000	EA		B	3769	08-05-1996		
4	LDN200/04	SEE EXTENDED DESCRIPTION	0.0000	EA		M P				
4	572732	HEADER SNGL 36 PIN .1 CNT	11.0000	EA		B	3769	08-05-1996		
4	LDN200/05	SEE EXTENDED DESCRIPTION	0.0000	EA		M P				
2	C11186	PREAMP/ LINEARIZER PCB AS	1.0000	EA		M P	3671	04-08-1996		
3	C20211	SCHEMATIC: PREAMP/ LINEAR	1.0000	EA		M P	4785	03-05-2002		
3	LDN100	PREAMP/ LIN PCB ASSY INFR	1.0000	EA		M P	3659	04-12-1996		
4	502493	PCB DIN RAIL LINEARIZER	1.0000	EA		B	3767	08-07-1996		
4	LDN100/01	SEE EXTENDED DESCRIPTION	0.0000	EA		M P				
4	LDN100/02	SEE EXTENDED DESCRIPTION	0.0000	EA		M P				
4	532982	OP-AMP AD548CQ LOW PWR	1.0000	EA		B	3767	08-07-1996		
4	531862	OP-AMP LM346N PROGRAM QUA	3.0000	EA		B	3767	08-07-1996		
4	530532	DIODE FD300 GENERAL PURPO	16.0000	EA		B	3767	08-07-1996		
4	514632	RES. 330K NETWORK 10 PIN	2.0000	EA		B	3767	08-07-1996		
4	514642	RES. 330K NETWORK 10 PIN	2.0000	EA		B	3767	08-07-1996		
4	104533011	RES. 453K OHM MF 1/4W 1%	1.0000	EA		B	3767	08-07-1996		
4	1010R0011	RES. 10.0 OHM MF 1/4W 1%	1.0000	EA		B	3767	08-07-1996		
4	102743011	RES. 274K OHM MF 1/4W 1%	1.0000	EA		B	3767	08-07-1996		
4	102103011	RES. 210K OHM MF 1/4W 1%	1.0000	EA		B	3767	08-07-1996		
4	105364011	RES. 5.36M OHM MF 1/4W 1%	6.0000	EA		B	3767	08-07-1996		
4	101002011	RES. 10.0K OHM MF 1/4W 1%	1.0000	EA		B	3767	08-07-1996		

Proprietary and Confidential to IRCON INC

R729 (ELECTRONIC MODULE ONLY)

Number :DN-EM#28534 - IRCON INFRARAIL IRT SO-LI: 90244*3

Level	Part Number	Description	Quantity	UM	Alt	MB X	ECO No.	ECO Date	Start Use	End Use
4	101003011	RES. 100K OHM MF 1/4W 1%	1.0000	EA		B	3767	08-07-1996		
4	102003011	RES. 200K OHM MF 1/4W 1%	2.0000	EA		B	3767	08-07-1996		
4	101000011	RES. 100 OHM MF 1/4W 1%	2.0000	EA		B	3767	08-07-1996		
4	100000990	JUMPER DUMMY RESISTOR	1.0000	EA		B	3767	08-07-1996		
4	551122	CHOKO 9250-122 1.2 UH, .1	1.0000	EA		B	3767	08-07-1996		
4	540412	FERRITE BEAD ON LEAD AXIA	3.0000	EA		B	3767	08-07-1996		
4	522002	CAP. .01 MFD 200V CERAMIC	7.0000	EA		B	3767	08-07-1996		
4	521902	CAP. NPO 1000pf 200V .2LS	2.0000	EA		B	3767	08-07-1996		
4	521932	CAP. 100 PF COG 200V	1.0000	EA		B	3767	08-07-1996		
4	521962	CAP. 10Pf NPO 200V .2LS	2.0000	EA		B	3767	08-07-1996		
4	514612	POT. 50K 25T 1/2W 10%	1.0000	EA		B	3767	08-07-1996		
4	514242	POT. 25K OHM 25T 1/2W 10%	1.0000	EA		B	3767	08-07-1996		
4	514622	POT. 100K 25T 1/2W 10%	1.0000	EA		B	3767	08-07-1996		
4	574922	CONN. HDR AMP STRAIGHT 3	1.0000	EA		B	3767	08-07-1996		
4	LDN100/03	SEE EXTENDED DESCRIPTION	0.0000	EA		M P				
4	574432	SOCKET 40 POS DIP .5HT EL	1.0000	EA		B	3767	08-07-1996		
4	LDN100/04	SEE EXTENDED DESCRIPTION	0.0000	EA		M P				
4	526002	CAP. SMC 330Pf NPO 50V 5%	1.0000	EA		B	3767	08-07-1996		
4	572732	HEADER SNGL 36 PIN .1 CNT	11.0000	EA		B	3767	08-07-1996		
4	LDN100/05	SEE EXTENDED DESCRIPTION	0.0000	EA		M P				
2	C11193	PCB INTERCONNECT ASSEMBLY	1.0000	EA		M P	3671	04-08-1996		
3	LDN300	PCB INTERCONN ASSY (INFRA	1.0000	EA		M P				
4	502533	PCB DIN RAIL POWER PEAK-P	1.0000	EA		B	3721	08-01-1996		
4	575922	CONN. FEMALE 11 POSITION	2.0000	EA		B	3721	08-01-1996		
2	477112	LABEL, COVER, DIN BOX	1.0000	EA		B	4909	06-11-2003		
2	C11190	DECAY RATE POT/ CONNECTOR	1.0000	EA		M P	3671	04-08-1996		
3	LDN003	DECAY RATE POT/ CONN. ASS	1.0000	EA		M P	4030	10-08-1997		
4	514592	POT. 50K OHM 1T 1/2W 10%	1.0000	EA		B				
4	LDN003/01	SEE EXTENDED DESCRIPTION	0.0000	EA		M P				
4	302479000	WIRE 24AWG VIO/WHITE STRA	1.0000	IN		B				
4	302409000	WIRE 24AWG BLK/WHITE STRA	1.0000	IN		B				
4	302459000	WIRE 24AWG GRN/WHITE STRA	1.0000	IN		B				
4	574662	CONN. CONTACT 20-24 AWG C	3.0000	EA		B				
4	574692	CONN. HOUSING 5 POSITION-	1.0000	EA		B				
2	C11189	RESPONSE TIME POT/ CONNEC	1.0000	EA		M P	3671	04-08-1996		
3	LDN002	RESP. TIME POT/ CONN. ASS	1.0000	EA		M P				
4	514602	POT. 5M OHM 1T 1/2W 20% P	1.0000	EA		B				
4	302440000	WIRE 24AWG YEL/BLACK STRA	1.0000	IN		B				
4	302460000	WIRE 24AWG BLU/BLACK STRA	1.0000	IN		B				
4	302430000	WIRE 24AWG ORG/BLACK STRA	1.0000	IN		B				
4	574662	CONN. CONTACT 20-24 AWG C	3.0000	EA		B				
4	574682	CONN. HOUSING 4 POSITION-	1.0000	EA		B				
2	C11188	EMISSIVITY POT/ CONNECTOR	1.0000	EA		M P	3671	04-08-1996		
3	LDN001	EMISSIVITY POT/ CONN. ASS	1.0000	EA		M P	3767	08-07-1996		
4	513722	POT. 100K 2 DIGIT 1% DIGI	1.0000	EA		B	3767	08-07-1996		
4	30245X000	WIRE 24AWG GREEN STRANDED	1.0000	IN		B	3767	08-07-1996		
4	30249X000	WIRE 24AWG WHITE STRANDED	1.0000	IN		B	3767	08-07-1996		
4	30246X000	WIRE 24AWG BLUE STRANDED	1.0000	IN		B	3767	08-07-1996		
4	574662	CONN. CONTACT 20-24 AWG C	3.0000	EA		B	3767	08-07-1996		
4	574672	CONN. HOUSING 3 POSITION-	1.0000	EA		B	3767	08-07-1996		
4	477212	LABEL - CLEAR WINDOW	1.0000	EA		B	3767	08-07-1996		
2	575852	KNOB, 9MM COLLET TYPE,	2.0000	EA		B	3671	04-08-1996		
2	575872	POINTER, 9MM COLLET TYPE	2.0000	EA		B	3671	04-08-1996		
2	575862	CAP. 9MM COLLET TYPE KNOB	2.0000	EA		B	3671	04-08-1996		
2	C11194	MODULE ASSEMBLY - M1 - (I	1.0000	EA		M P	3671	04-08-1996		
3	573912	HEADER 40 PIN DIP .6 CENT	1.0000	EA		B				
3	T-C11194-1	SELECT "M1" MODULE VALUES	0.0000	EA		B				
3	T-C11194-3	GT M1 MODULE VALUES	0.0000	EA		B				
2	575912	CONN. KEYING ELEMENT (DN-	2.0000	EA		B	3671	04-08-1996		
2	477132	LABEL, SERIAL NUMBER, DIN	1.0000	EA		B	3671	04-08-1996		
2	477122	LABEL, DIN BOX, INFRARAIL	1.0000	EA		B	3671	04-08-1996		
2	574082	TERM. BLOCK JUMPER QUICK	1.0000	EA		B	3671	04-08-1996		
2	LDNKIT	MTG CLIP KIT FOR INFRARAI	1.0000	EA		M P	3671	04-08-1996		
3	990300010	CLIP MTG FOR DIN BOX	2.0000	EA		B	3694	04-17-1996		
3	LDNKIT/01	SEE EXTENDED DESCRIPTION	0.0000	EA		M P				
2	477182	LABEL-CE MARK (PRODUCTS)	1.0000	EA		B	3671	04-08-1996		
1	U-M1-R729	MODULE ASSEMBLY - M1-INFRARAIL	1.0000	EA		M P				
2	102103011	RES. 210K OHM MF 1/4W 1%	1.0000	EA		B				

Number :DN-EM#28534 - IRCON INFRARAIL IRT SO-LI: 90244*3

Level	Part Number	Description	Quantity	UM	Alt	MB X	ECO No.	ECO Date	Start Use	End Use
2	101872011	RES. 18.7K OHM MF 1/4W 1%	1.0000	EA		B				
2	101243011	RES. 124K OHM MF 1/4W 1%	1.0000	EA		B				
2	101502011	RES. 15.0K OHM MF 1/4W 1%	1.0000	EA		B				
2	105902011	RES. 59.0K OHM MF 1/4W 1%	1.0000	EA		B				
2	101002011	RES. 10.0K OHM MF 1/4W 1%	1.0000	EA		B				
2	109532011	RES. 95.3K OHM MF 1/4W 1%	1.0000	EA		B				
2	106341011	RES. 6.34K OHM MF 1/4W 1%	1.0000	EA		B				
2	101583011	RES. 158K OHM MF 1/4W 1%	1.0000	EA		B				
2	103831011	RES. 3.83K OHM MF 1/4W 1%	1.0000	EA		B				
2	102743011	RES. 274K OHM MF 1/4W 1%	1.0000	EA		B				
2	102151011	RES. 2.15K OHM MF 1/4W 1%	1.0000	EA		B				
2	104873011	RES. 487K OHM MF 1/4W 1%	1.0000	EA		B				
2	101211011	RES. 1.21K OHM MF 1/4W 1%	1.0000	EA		B				
2	109093011	RES. 909K OHM MF 1/4W 1%	1.0000	EA		B				
2	106340011	RES. 634 OHM MF 1/4W 1%	1.0000	EA		B				
2	101744011	RES. 1.74M OHM MF 1/4W 1%	1.0000	EA		B				
2	103320011	RES. 332 OHM MF 1/4W 1%	1.0000	EA		B				
2	102870011	RES. 287 OHM MF 1/4W 1%	1.0000	EA		B				
2	103574011	RES. 3.57M OHM MF 1/4W 1%	1.0000	EA		B				



IRCON, INC T 847-967-5151
 7300 North Natchez Ave T 800-323-7660
 Niles, Illinois 60714 USA F 847-647-0948

Acknowledgment

ORDER DATE: 13 APR 2006
 REV: DATE:

Customer No. 100426
 SOLD TO

SHIP TO
 OTTO JUNKER GMBH
 JAGERHAUSSTRASSE 22
 SIMMERATH, 52152
 DEUTSCHLAND

IRCON B.V.
 DATABANKWEG 6 C
 3821 AL AMERSFOORT
 THE NETHERLANDS

SPECIAL SHIPPING INSTRUCTIONS

OUR ORDER No.		YOUR PO No.		F.O.B.		TAX	
90864		1300		ORIGIN		Resale	
SHIP VIA		TERMS		DATE REQUESTED	SALES REPRESENTATIVE		
UPS SCS		0.00/0/180		05-12-06	1001 (100.00)		
LI	PART NO.	PRODUCT/DESCRIPTION	QTY	UNIT PRICE	DISC	NET PRICE	EXTENSION
1	DN-HO#29576 <i>wo.# 21284</i>	DN_DNE31-13C IRCON INFRARAIL IRT SENSING HEAD ONLY <i>DNE99-99C</i> Consists of the following: 1.0000 - INFRARAIL HEAD ONLY 1.0000 - DN - E SERIES 1.0000 - D/100 RESOLUTION (E) 1.0000 - 800-1300C	1	362.40	0.0	362.40	362.40
2	MOD-CHARGES	MODIFICATION OF PRODUCT <i>Temp range 450-1050C</i> <i>D/50 resolution</i> <i>Cable heat alarm</i>	1	82.36	0.0	82.36	82.36
THIS ORDER IS ACCEPTED SUBJECT TO TERMS AND CONDITIONS SHOWN ON THIS AND THE REVERSE SIDE						GRAND TOTAL	ECU444.76

SHIP TO: IRCON, INC.
 7300 N. NATCHEZ AVE.
 NILES, IL 60714 USA

IF TAX EXEMPT, PLEASE PROVIDE COPY OF EXEMPTION OR DIRECT PAYMENT CERTIFICATE



IRCON, INC.
 7300 North Natchez Avenue
 Niles, Illinois 60714 USA

Telephone 847-967-5151
 Toll Free 800-323-7660
 Fax 847-647-0948

ISO 9001/OS 9000 TE
 Quality Systems Certified

**Modified Standard Product
 Data Form**

A modified standard product is a product that is based on a standard product found in the most recent price list. The modifications maybe items such as; temperature ranges, output types, resolution, response time and optical issues. A modified standard product form is to be completed and submitted to Steve Schumm and Gene Kalley for review and approval based on the modification (which we have done before). If the modification has not been done before, the approval will require the entire senior management team's approval BEFORE QUOTING. A modified standard product if approved; this product will become a price listed standard product. We can then pay commission as outlined in our most recent contract.

- Standard Product is a Model Number: DNE13-13C
- Standard Product List Price: \$ 540.-
- The product change requested would be: Reds R729-450-1056C
D/50 with cable bracket *Sales will attach specifics to this form.*
- The market is willing to pay \$640 for this product (total including standard price).
- What is engineering's expected time investment and cost: 1 HOUR Man Days
\$ 100.00
- What is production's expected purchasing and production time requirement: Days
- This new product has potential in the following application and estimated potential per year would be per year:

- This product will be not be quoted and produced as previously outlined.
- Agreed on this date of _____ By production/purchasing _____
 By engineering A-DONADO 4/19/06
W.O.# 21218
- Sales can now quote this project for \$ _____ per unit.
 _____ lead time.

_____ Add to standard product list in literature (Maxine)
 _____ Add to price list (Vern)
 cc/ Greg P, Paul V, Regional Sales Staff Globally

W.O. #21284

Number :DN-HO#29576 - IRCON INFRARAIL IRT SO-LI: 90864*1

Level	Part Number	Description	Quantity	UM	Alt	MB	X	ECO No.	ECO Date	Start Use	End Use
1	DN1DNE	DN PRICES	1.0000	EA		M	P				
1	C11201-R713	SENSING HEAD FINAL ASSY	1.0000	EA		M	P				
2	451323	FIELD STOP .044DIA	1.0000	EA		B		3709	05-17-1996		
2	C11201/01	SEE EXTENDED DESCRIPTION	0.0000	EA		M					
2	990300005	RETAINING RING 7/16 OD, .2	1.0000	EA		B		3709	05-17-1996		
2	431442	DET. LOCATOR MOD2	1.0000	EA		B		3709	05-17-1996		
2	C11209-R707	SH DETECTOR ASSEMBLY E HD	1.0000	EA		M	P	3709	05-17-1996		
3	LR721-D	DET ASSY FOR SPL# R721	1.0000	EA		M	P	3770	08-21-1996		
4	LR721-D/01	SEE EXTENDED DESCRIPTION	0.0000	EA		M	P				
4	431432	DET. HOLDER MR20 SERIES	1.0000	EA		B					
4	640552	FILTER, BANDPASS	1.0000	EA		B					
4	590942	DETECTOR InGaAs 1.6u	1.0000	EA		B					
4	LR721-D/02	SEE EXTENDED DESCRIPTION	0.0000	EA		M	P				
4	560372	CABLE PVC 1 COND SHIELD 2	3.0000	IN		B					
4	312430100	WIRE 24AWG BARE SOLID	1.0000	IN		B					
4	430292	CONN. GASKET 2000 SERIES	1.0000	EA		B					
4	575892	CONN. CIRC 3 RECPT 10SL-3	1.0000	EA		B					
4	490042	SPRING DETECTOR RETAINER	1.0000	EA		B					
4	630092	FOLDING MIRROR SH MROA SE	1.0000	EA		B					
4	490032	SPRING FOLDING MIRROR MOD	1.0000	EA		B					
4	200204130	SCREW #2-56 X 1/8 PH SLOT	1.0000	EA		B					
4	990100016	EPOXY HARDMAN #4001 3-5 M	1.0000	EA		B					
4	3214G00X0	TUBING #14 PVC CLEAR	1.0000	IN		B					
2	447352	SENSOR, E-HEAD	1.0000	EA		B		3709	05-17-1996		
2	610432	EYE LENS FOR A HEAD	1.0000	EA		B		3709	05-17-1996		
2	990100002	EPOXY HARDMAN #4005 GEN P	1.0000	EA		B		3709	05-17-1996		
2	447372	FIELD STOP, .312 DIA	1.0000	EA		B		3709	05-17-1996		
2	447382	FIELD STOP, .437 DIA	1.0000	EA		B		3709	05-17-1996		
2	610402	LENS PLANO CONVEX 30" F/L	1.0000	EA		B		3709	05-17-1996		
2	431752	O RING 13/16 X 1/16 TH 70	1.0000	EA		B		3709	05-17-1996		
2	447362	LENS RING E-HEAD SENSOR	1.0000	EA		B		3709	05-17-1996		
2	200412440	SCREW #4-40 X 3/8 FIL SLO	4.0000	EA		B		3709	05-17-1996		
2	220403200	WASHER #4 LOCK SPLIT RING	4.0000	EA		B		3709	05-17-1996		
2	454152	SCREW, ADJUSTMENT,	1.0000	EA		B		3709	05-17-1996		
2	433372	O RING 3/32 X 7/32 X 1/16	1.0000	EA		B		3709	05-17-1996		
2	220602200	WASHER #6 LOCK EXT TOOTH	1.0000	EA		B		3709	05-17-1996		
2	200606040	SCREW #6-32 X 3/16 PH SLO	1.0000	EA		B		3709	05-17-1996		
2	C11201/02	SEE EXTENDED DESCRIPTION	0.0000	EA		M					
2	443502	RETAINING NUT	1.0000	EA		B		3709	05-17-1996		
2	477142	LABEL, SERIAL NUMBER, SEN	1.0000	EA		B		3709	05-17-1996		
2	474772	LABEL GROUND WARNING	1.0000	EA		B		3709	05-17-1996		
2	T-C11201-1	DETERMINE IF CABLE IS REQ	0.0000	EA		B		3709	05-17-1996		
2	C11201/03	SEE EXTENDED DESCRIPTION	0.0000	EA		M					
2	999900013	CAP PLUG #SC-1-1/4	1.0000	EA		B		3709	05-17-1996		
2	990100028	SEALANT RTV SILICONE BLAC	1.0000	EA		B		3709	05-17-1996		
2	999900014	STEM BUMPER 3/8OD .275T	1.0000	EA		B		3709	05-17-1996		

OK

R729 (sensor ONLY)



IRCON, INC T 847-967-5151
 7300 North Natchez Ave T 800-323-7660
 Niles, Illinois 60714 USA F 847-647-0948

Acknowledgment

ORDER DATE: 06 JUL 2006
 REV: DATE:

Customer No. 004000

SOLD TO

HERAEUS ELECTRO-NITE
 MEXICANA, S.A. DE C.V.
 AV DELTA 1400 PARQUE INDL
 STA. MARIA RAMOS ARIZPE
 COAHUILA, CP 25900
 MEXICO

SHIP TO

HERAEUS ELECTRO-NITE
 % VILLARREAL LOGISTIC INC
 8423 EL GATO RD SUITE A
 EL PORTAL INDUSTRIAL PARK
 LAREDO, TX 78045

SPECIAL SHIPPING INSTRUCTIONS

OUR ORDER No.		YOUR PO No.		F.O.B.		TAX	
91518		06/20650		ORIGIN		Resale	
SHIP VIA		TERMS		DATE REQUESTED	SALES REPRESENTATIVE		
UPS BLUE COLLECT		0.00/0/30		08-04-06	1037 (100.00)		
LI	PART NO.	PRODUCT/DESCRIPTION	QTY	UNIT PRICE	DISC	NET PRICE	EXTENSION
1	DN#30542	DN_DNS20-16C IRCON INFRARAIL IRT SYSTEM-COMPLETE Consists of the following: 1.0000 - INFRARAIL 1.0000 - DN - S SERIES 1.0000 - P1-LENS (L12021) 1.0000 - Std Cbl Lgth 12ft 1.0000 - D/200 1.0000 - 900 TO 1600C P/N 88102011	2	1748.00	0.0	1748.00	3496.00
2	DN-HO#30543 <i>W.O.# 21891</i>	DN_DNE21-13C <i>DN E99-99C</i> IRCON INFRARAIL IRT SENSING HEAD ONLY Consists of the following: 1.0000 - INFRARAIL HEAD ONLY 1.0000 - DN - E SERIES 1.0000 - D/100 RESOLUTION (E) 1.0000 - 800-1300C P/N 88102611	1	1100.00	0.0	1100.00	1100.00
3	DN-C#30544	CBDNSSILI INFRARAIL CABLE ONLY Consists of the following: 1.0000 - DN CB/CABLE ASSY'S 1.0000 - S SERIES CABLE/ASSY 1.0000 - SIL. INTERC. CB ASSY 75.0000 - Cable Length in feet	2	684.00	0.0	684.00	1368.00
THIS ORDER IS ACCEPTED SUBJECT TO TERMS AND CONDITIONS SHOWN ON THIS AND THE REVERSE SIDE						GRAND TOTAL	

*Redo Special No R729
 Temp range 450 to 1050C
 P/50 resolution
 P/B 2/6*

SHIP TO: IRCON, INC.
 7300 N. NATCHEZ AVE.
 NILES, IL 60714 USA

IF TAX EXEMPT, PLEASE PROVIDE COPY OF
 EXEMPTION OR DIRECT PAYMENT CERTIFICATE



IRCON, INC.
7300 North Natchez Avenue
Niles, Illinois 60714 USA

Telephone 847-967-5151
Toll Free 800-323-7660
Fax 847-647-0948

ISO 9001/OS 9000 TE
Quality Systems Certified

Modified Standard Product Data Form

A modified standard product is a product that is based on a standard product found in the most recent price list. The modifications maybe items such as; temperature ranges, output types, resolution, response time and optical issues. A modified standard product form is to be completed and submitted to Steve Schumm and Gene Kalley for review and approval based on the modification (which we have done before). If the modification has not been done before, the approval will require the entire senior management team's approval BEFORE QUOTING. A modified standard product if approved; this product will become a price listed standard product. We can then pay commission as outlined in our most recent contract.

- Standard Product is a Model Number: ONE31-13C
- Standard Product List Price: \$896.5
- The product change requested would be: Reds R729-450 to 1050C
D/50 rev. Sales will attach specifics to this form.
- The market is willing to pay \$1100 for this product (total including standard price).
- What is engineering's expected time investment and cost: 1 hour Man Days
\$100⁰⁰
- What is production's expected purchasing and production time requirement: _____ Days
- This new product has potential in the following application and estimated potential per year would be _____ per year.

➤ This product will be not be _____ quoted and produced as previously outlined.

➤ Agreed on this date of _____ By production/purchasing _____
By engineering A. DONADO 7/10/06

➤ Sales can now quote this project for \$ _____ per unit.

_____ lead time.

_____ Add to standard product list in literature (Maxine)

_____ Add to price list (Vern)

cc/ Greg P, Paul V, Regional Sales Staff Globally

W.O.#20646

Number :DN#28533 - IRCON INFRARAIL IRT SO-LI: 90244*1

Level	Part Number	Description	Quantity	UM	Alt	MB X	ECO No.	ECO Date	Start Use	End Use
1	DN0DNE	DN PRICES	1.0000	EA		M P				
1	C11201-R713	SENSING HEAD FINAL ASSY	1.0000	EA		M P				
2	451323	FIELD STOP .044DIA	1.0000	EA		B	3709	05-17-1996		
2	C11201/01	SEE EXTENDED DESCRIPTION	0.0000	EA		M				
2	990300005	RETAINING RING 7/16 OD, .2	1.0000	EA		B	3709	05-17-1996		
2	431442	DET. LOCATOR MOD2	1.0000	EA		B	3709	05-17-1996		
2	C11209-R707	SH DETECTOR ASSEMBLY E HD	1.0000	EA		M P	3709	05-17-1996		
3	LR721-D	DET ASSY FOR SPL# R721	1.0000	EA		M P	3770	08-21-1996		
4	LR721-D/01	SEE EXTENDED DESCRIPTION	0.0000	EA		M P				
4	431432	DET. HOLDER MR20 SERIES	1.0000	EA		B				
4	640552	FILTER, BANDPASS	1.0000	EA		B				
4	590942	DETECTOR InGaAs 1.6u	1.0000	EA		B				
4	LR721-D/02	SEE EXTENDED DESCRIPTION	0.0000	EA		M P				
4	560372	CABLE PVC 1 COND SHIELD 2	3.0000	IN		B				
4	312430100	WIRE 24AWG BARE SOLID	1.0000	IN		B				
4	430292	CONN. GASKET 2000 SERIES	1.0000	EA		B				
4	575892	CONN. CIRC 3 RECPT 10SL-3	1.0000	EA		B				
4	490042	SPRING DETECTOR RETAINER	1.0000	EA		B				
4	630092	FOLDING MIRROR SH MROA SE	1.0000	EA		B				
4	490032	SPRING FOLDING MIRROR MOD	1.0000	EA		B				
4	200204130	SCREW #2-56 X 1/8 PH SLOT	1.0000	EA		B				
4	990100016	EPOXY HARDMAN #4001 3-5 M	1.0000	EA		B				
4	3214G00X0	TUBING #14 PVC CLEAR	1.0000	IN		B				
2	447352	SENSOR, E-HEAD	1.0000	EA		B	3709	05-17-1996		
2	610432	EYE LENS FOR A HEAD	1.0000	EA		B	3709	05-17-1996		
2	990100002	EPOXY HARDMAN #4005 GEN P	1.0000	EA		B	3709	05-17-1996		
2	447372	FIELD STOP, .312 DIA	1.0000	EA		B	3709	05-17-1996		
2	447382	FIELD STOP, .437 DIA	1.0000	EA		B	3709	05-17-1996		
2	610402	LENS PLANO CONVEX 30" F/L	1.0000	EA		B	3709	05-17-1996		
2	431752	O RING 13/16 X 1/16 TH 70	1.0000	EA		B	3709	05-17-1996		
2	447362	LENS RING E-HEAD SENSOR	1.0000	EA		B	3709	05-17-1996		
2	200412440	SCREW #4-40 X 3/8 FIL SLO	4.0000	EA		B	3709	05-17-1996		
2	220403200	WASHER #4 LOCK SPLIT RING	4.0000	EA		B	3709	05-17-1996		
2	454152	SCREW, ADJUSTMENT,	1.0000	EA		B	3709	05-17-1996		
2	433372	O RING 3/32 X 7/32 X 1/16	1.0000	EA		B	3709	05-17-1996		
2	220602200	WASHER #6 LOCK EXT TOOTH	1.0000	EA		B	3709	05-17-1996		
2	200606040	SCREW #6-32 X 3/16 PH SLO	1.0000	EA		B	3709	05-17-1996		
2	C11201/02	SEE EXTENDED DESCRIPTION	0.0000	EA		M				
2	443502	RETAINING NUT	1.0000	EA		B	3709	05-17-1996		
2	477142	LABEL, SERIAL NUMBER, SEN	1.0000	EA		B	3709	05-17-1996		
2	474772	LABEL GROUND WARNING	1.0000	EA		B	3709	05-17-1996		
2	T-C11201-1	DETERMINE IF CABLE IS REQ	0.0000	EA		B	3709	05-17-1996		
2	C11201/03	SEE EXTENDED DESCRIPTION	0.0000	EA		M				
2	999900013	CAP PLUG #SC-1-1/4	1.0000	EA		B	3709	05-17-1996		
2	990100028	SEALANT RTV SILICONE BLAC	1.0000	EA		B	3709	05-17-1996		
2	999900014	STEM BUMPER 3/8OD .275T	1.0000	EA		B	3709	05-17-1996		
1	D11198	PVC-(INT/EXT-E/F SERIES) (1.0000	EA		M P				
2	560052	CABLE PVC 2 COND 1100/200	1.0000	FT		B	3913	04-02-1997		
2	D11198/01	SEE EXTENDED DESCRIPTION	0.0000	EA		M				
2	D11198/02	SEE EXTENDED DESCRIPTION	0.0000	EA		M				
2	D11198/03	SEE EXTENDED DESCRIPTION	8.0000	EA		M				
2	575882	CONN. CIRC 10SL-3 BACKSHE	1.0000	EA		B	3913	04-02-1997		
2	3210G00X0	TUBING #10 PVC CLEAR	3.0000	IN		B	3913	04-02-1997		
2	3212G00X0	TUBING #12 PVC CLEAR	1.0000	IN		B	3913	04-02-1997		
2	575902	CONN. CIRC 10SL-3 STR PLU	1.0000	EA		B	3913	04-02-1997		
2	3216I1400	TUBING 1/4" SHRINKABLE BL	1.0000	IN		B	3913	04-02-1997		
2	990100027	ADHESIVE LOCTITE 272	1.0000	EA		B	3913	04-02-1997		
2	C-CABLE	DETERMINE CABLE LENGTH FR	1.0000	EA		M P	3913	04-02-1997		
2	477202	LABEL INFRARAIL (2.0" X 0	1.0000	EA		B	3913	04-02-1997		
1	U-D11198-C	12 FEET OF CABLE	1.0000	EA		M P				
2	560052	CABLE PVC 2 COND 1100/200	12.0000	FT		B				
1	U-M1-R729	MODULE ASSY M1-INFRARAIL	1.0000	EA		M P				
2	102103011	RES. 210K OHM MF 1/4W 1%	1.0000	EA		B				
2	101872011	RES. 18.7K OHM MF 1/4W 1%	1.0000	EA		B				
2	101243011	RES. 124K OHM MF 1/4W 1%	1.0000	EA		B				
2	101502011	RES. 15.0K OHM MF 1/4W 1%	1.0000	EA		B				
2	105902011	RES. 59.0K OHM MF 1/4W 1%	1.0000	EA		B				
2	101002011	RES. 10.0K OHM MF 1/4W 1%	1.0000	EA		B				

R729

Number :DN#28533 - IRCON INFRARAIL IRT SO-LI: 90244*1

Level	Part Number	Description	Quantity	UM	Alt	MB X	ECO No.	ECO Date	Start Use	End Use
2	109532011	RES. 95.3K OHM MF 1/4W 1%	1.0000	EA		B				
2	106341011	RES. 6.34K OHM MF 1/4W 1%	1.0000	EA		B				
2	101583011	RES. 158K OHM MF 1/4W 1%	1.0000	EA		B				
2	103831011	RES. 3.83K OHM MF 1/4W 1%	1.0000	EA		B				
2	102743011	RES. 274K OHM MF 1/4W 1%	1.0000	EA		B				
2	102151011	RES. 2.15K OHM MF 1/4W 1%	1.0000	EA		B				
2	104873011	RES. 487K OHM MF 1/4W 1%	1.0000	EA		B				
2	101211011	RES. 1.21K OHM MF 1/4W 1%	1.0000	EA		B				
2	109093011	RES. 909K OHM MF 1/4W 1%	1.0000	EA		B				
2	106340011	RES. 634 OHM MF 1/4W 1%	1.0000	EA		B				
2	101744011	RES. 1.74M OHM MF 1/4W 1%	1.0000	EA		B				
2	103320011	RES. 332 OHM MF 1/4W 1%	1.0000	EA		B				
2	102870011	RES. 287 OHM MF 1/4W 1%	1.0000	EA		B				
2	103574011	RES. 3.57M OHM MF 1/4W 1%	1.0000	EA		B				
1	D11191	INFRARAIL BOX ASSEMBLY	1.0000	EA		M P				
2	433332	ENCLOSURE, DIN BOX, MODIF	1.0000	EA		B	3671	04-08-1996		
2	C11187	POWER SUPPLY/ PEAK-PICKER	1.0000	EA		M P	3671	04-08-1996		
3	C20212	SCHEMATIC: POWER SUPPLY/	1.0000	EA		M P	4202	01-14-1999		
3	LDN200	PWR SUPPLY/ PP PCB ASSY	1.0000	EA		M P	4202	01-14-1999		
4	502505	PCB DIN RAIL POWER PEAK-P	1.0000	EA		B	3769	08-05-1996		
4	LDN200/01	SEE EXTENDED DESCRIPTION	0.0000	EA		M P				
4	533082	TRAN. MJE800 NPN - DARLIN	1.0000	EA		B	3769	08-05-1996		
4	LDN200/02	SEE EXTENDED DESCRIPTION	0.0000	EA		M P				
4	LDN200/03	SEE EXTENDED DESCRIPTION	0.0000	EA		M P				
4	530882	DIODE 1N4002 GP RECTIFIER	1.0000	EA		B	3769	08-05-1996		
4	532952	OP-AMP ULTRA LOW BIAS	2.0000	EA		B	3769	08-05-1996		
4	532322	IC 4053B ANALOG MUX/DEMUX	1.0000	EA		B	4842	07-31-2002		
4	531862	OP-AMP LM346N PROGRAM QUA	1.0000	EA		B	3769	08-05-1996		
4	102493011	RES. 249K OHM MF 1/4W 1%	1.0000	EA		B	3769	08-05-1996		
4	103321011	RES. 3.32K OHM MF 1/4W 1%	1.0000	EA		B	3769	08-05-1996		
4	101820011	RES. 182 OHM MF 1/4W 1%	1.0000	EA		B	3769	08-05-1996		
4	104421011	RES. 4.42K OHM MF 1/4W 1%	1.0000	EA		B	3769	08-05-1996		
4	106654011	RES. 6.65M OHM MF 1/4W 1%	1.0000	EA		B	3769	08-05-1996		
4	104993011	RES. 499K OHM MF 1/4W 1%	1.0000	EA		B	3769	08-05-1996		
4	104021011	RES. 4.02K OHM MF 1/4W 1%	1.0000	EA		B	3769	08-05-1996		
4	105364011	RES. 5.36M OHM MF 1/4W 1%	2.0000	EA		B	3769	08-05-1996		
4	103480011	RES. 348 OHM MF 1/4W 1%	1.0000	EA		B	3769	08-05-1996		
4	100000990	JUMPER DUMMY RESISTOR	5.0000	EA		B	3769	08-05-1996		
4	101000011	RES. 100 OHM MF 1/4W 1%	1.0000	EA		B	3769	08-05-1996		
4	101003011	RES. 100K OHM MF 1/4W 1%	1.0000	EA		B	3769	08-05-1996		
4	101004011	RES. 1.00M OHM MF 1/4W 1%	4.0000	EA		B	3769	08-05-1996		
4	102003011	RES. 200K OHM MF 1/4W 1%	2.0000	EA		B	3769	08-05-1996		
4	104991011	RES. 4.99K OHM MF 1/4W 1%	1.0000	EA		B	3769	08-05-1996		
4	101503011	RES. 150K OHM MF 1/4W 1%	1.0000	EA		B				
4	530572	DIODE 1N4446 SWITCHING	2.0000	EA		B	4906	05-19-2003		
4	530532	DIODE FD300 GENERAL PURPO	1.0000	EA		B	3769	08-05-1996		
4	521852	CAP. 0.68 MFD 50V CERAMIC	1.0000	EA		B	3769	08-05-1996		
4	521972	CAP. .047 MFD 50V CER X7	1.0000	EA		B	3769	08-05-1996		
4	521072	CAP. 22MFD 16V TANT 10%	2.0000	EA		B	3769	08-05-1996		
4	551122	CHOKE 9250-122 1.2 UH, .1	2.0000	EA		B	3769	08-05-1996		
4	521902	CAP. NPO 1000pf 200V .2LS	1.0000	EA		B	3769	08-05-1996		
4	521862	CAP. 3.3 MFD 50V CERAMC X	1.0000	EA		B	3769	08-05-1996		
4	521872	CAP. 1.0 MFD 50V CERAMIC	5.0000	EA		B	3769	08-05-1996		
4	522002	CAP. .01 MFD 200V CERAMIC	6.0000	EA		B	3769	08-05-1996		
4	531892	REG. LM317LZ +1.2/37V ADJ	1.0000	EA		B	3769	08-05-1996		
4	431902	BIVAR PERMO PAD 0.250 DIA	1.0000	EA		B	3769	08-05-1996		
4	530862	TRAN. 2N2222A NPN MED POW	1.0000	EA		B	3769	08-05-1996		
4	551152	INDUCTOR 100UH +/-10% IMS	2.0000	EA		B	3769	08-05-1996		
4	531882	DIODE LM385BZ-2.5 2.5V RE	6.0000	EA		B	3769	08-05-1996		
4	575602	CONN. HDR AMP STRAIGHT 5	1.0000	EA		B	3769	08-05-1996		
4	574592	CONN. HDR AMP STRAIGHT 4	1.0000	EA		B	3769	08-05-1996		
4	LDN200/04	SEE EXTENDED DESCRIPTION	0.0000	EA		M P				
4	572732	HEADER SNGL 36 PIN .1 CNT	11.0000	EA		B	3769	08-05-1996		
4	LDN200/05	SEE EXTENDED DESCRIPTION	0.0000	EA		M P				
2	C11186	PREAMP/ LINEARIZER PCB AS	1.0000	EA		M P	3671	04-08-1996		
3	C20211	SCHEMATIC: PREAMP/ LINEAR	1.0000	EA		M P	4785	03-05-2002		
3	LDN100	PREAMP/ LIN PCB ASSY INFR	1.0000	EA		M P	3659	04-12-1996		
4	502493	PCB DIN RAIL LINEARIZER	1.0000	EA		B	3767	08-07-1996		

Number :DN#28533 - IRCON INFRARAIL IRT SO-LI: 90244*1

Level	Part Number	Description	Quantity	UM	Alt	MB	X	ECO No.	ECO Date	Start Use	End Use
4	LDN100/01	SEE EXTENDED DESCRIPTION	0.0000	EA		M	P				
4	LDN100/02	SEE EXTENDED DESCRIPTION	0.0000	EA		M	P				
4	532982	OP-AMP AD548CQ LOW PWR	1.0000	EA		B		3767	08-07-1996		
4	531862	OP-AMP LM346N PROGRAM QUA	3.0000	EA		B		3767	08-07-1996		
4	530532	DIODE FD300 GENERAL PURPO	16.0000	EA		B		3767	08-07-1996		
4	514632	RES. 330K NETWORK 10 PIN	2.0000	EA		B		3767	08-07-1996		
4	514642	RES. 330K NETWORK 10 PIN	2.0000	EA		B		3767	08-07-1996		
4	104533011	RES. 453K OHM MF 1/4W 1%	1.0000	EA		B		3767	08-07-1996		
4	1010R0011	RES. 10.0 OHM MF 1/4W 1%	1.0000	EA		B		3767	08-07-1996		
4	102743011	RES. 274K OHM MF 1/4W 1%	1.0000	EA		B		3767	08-07-1996		
4	102103011	RES. 210K OHM MF 1/4W 1%	1.0000	EA		B		3767	08-07-1996		
4	105364011	RES. 5.36M OHM MF 1/4W 1%	6.0000	EA		B		3767	08-07-1996		
4	101002011	RES. 10.0K OHM MF 1/4W 1%	1.0000	EA		B		3767	08-07-1996		
4	101003011	RES. 100K OHM MF 1/4W 1%	1.0000	EA		B		3767	08-07-1996		
4	102003011	RES. 200K OHM MF 1/4W 1%	2.0000	EA		B		3767	08-07-1996		
4	101000011	RES. 100 OHM MF 1/4W 1%	2.0000	EA		B		3767	08-07-1996		
4	100000990	JUMPER DUMMY RESISTOR	1.0000	EA		B		3767	08-07-1996		
4	551122	CHOKO 9250-122 1.2 UH, .1	1.0000	EA		B		3767	08-07-1996		
4	540412	FERRITE BEAD ON LEAD AXIA	3.0000	EA		B		3767	08-07-1996		
4	522002	CAP. .01 MFD 200V CERAMIC	7.0000	EA		B		3767	08-07-1996		
4	521902	CAP. NPO 1000pf 200V .2LS	2.0000	EA		B		3767	08-07-1996		
4	521932	CAP. 100 PF COG 200V	1.0000	EA		B		3767	08-07-1996		
4	521962	CAP. 10Pf NPO 200V .2LS	2.0000	EA		B		3767	08-07-1996		
4	514612	POT. 50K 25T 1/2W 10%	1.0000	EA		B		3767	08-07-1996		
4	514242	POT. 25K OHM 25T 1/2W 10%	1.0000	EA		B		3767	08-07-1996		
4	514622	POT. 100K 25T 1/2W 10%	1.0000	EA		B		3767	08-07-1996		
4	574922	CONN. HDR AMP STRAIGHT 3	1.0000	EA		B		3767	08-07-1996		
4	LDN100/03	SEE EXTENDED DESCRIPTION	0.0000	EA		M	P				
4	574432	SOCKET 40 POS DIP .5HT EL	1.0000	EA		B		3767	08-07-1996		
4	LDN100/04	SEE EXTENDED DESCRIPTION	0.0000	EA		M	P				
4	526002	CAP. SMC 330PF NPO 50V 5%	1.0000	EA		B		3767	08-07-1996		
4	572732	HEADER SNGL 36 PIN .1 CNT	11.0000	EA		B		3767	08-07-1996		
4	LDN100/05	SEE EXTENDED DESCRIPTION	0.0000	EA		M	P				
2	C11193	PCB INTERCONNECT ASSEMBLY	1.0000	EA		M	P	3671	04-08-1996		
3	LDN300	PCB INTERCONN ASSY (INFRA	1.0000	EA		M	P				
4	502533	PCB DIN RAIL POWER PEAK-P	1.0000	EA		B		3721	08-01-1996		
4	575922	CONN. FEMALE 11 POSITION	2.0000	EA		B		3721	08-01-1996		
2	477112	LABEL, COVER, DIN BOX	1.0000	EA		B		4909	06-11-2003		
2	C11190	DECAY RATE POT/ CONNECTOR	1.0000	EA		M	P	3671	04-08-1996		
3	LDN003	DECAY RATE POT/ CONN. ASS	1.0000	EA		M	P	4030	10-08-1997		
4	514592	POT. 50K OHM 1T 1/2W 10%	1.0000	EA		B					
4	LDN003/01	SEE EXTENDED DESCRIPTION	0.0000	EA		M	P				
4	302479000	WIRE 24AWG VIO/WHITE STRA	1.0000	IN		B					
4	302409000	WIRE 24AWG BLK/WHITE STRA	1.0000	IN		B					
4	302459000	WIRE 24AWG GRN/WHITE STRA	1.0000	IN		B					
4	574662	CONN. CONTACT 20-24 AWG C	3.0000	EA		B					
4	574692	CONN. HOUSING 5 POSITION-	1.0000	EA		B					
2	C11189	RESPONSE TIME POT/ CONN	1.0000	EA		M	P	3671	04-08-1996		
3	LDN002	RESP. TIME POT/ CONN. ASS	1.0000	EA		M	P				
4	514602	POT. 5M OHM 1T 1/2W 20% P	1.0000	EA		B					
4	302440000	WIRE 24AWG YEL/BLACK STRA	1.0000	IN		B					
4	302460000	WIRE 24AWG BLU/BLACK STRA	1.0000	IN		B					
4	302430000	WIRE 24AWG ORG/BLACK STRA	1.0000	IN		B					
4	574662	CONN. CONTACT 20-24 AWG C	3.0000	EA		B					
4	574682	CONN. HOUSING 4 POSITION-	1.0000	EA		B					
2	C11188	EMISSIVITY POT/ CONNECTOR	1.0000	EA		M	P	3671	04-08-1996		
3	LDN001	EMISSIVITY POT/ CONN. ASS	1.0000	EA		M	P	3767	08-07-1996		
4	513722	POT. 100K 2 DIGIT 1% DIGI	1.0000	EA		B		3767	08-07-1996		
4	30245X000	WIRE 24AWG GREEN STRANDED	1.0000	IN		B		3767	08-07-1996		
4	30249X000	WIRE 24AWG WHITE STRANDED	1.0000	IN		B		3767	08-07-1996		
4	30246X000	WIRE 24AWG BLUE STRANDED	1.0000	IN		B		3767	08-07-1996		
4	574662	CONN. CONTACT 20-24 AWG C	3.0000	EA		B		3767	08-07-1996		
4	574672	CONN. HOUSING 3 POSITION-	1.0000	EA		B		3767	08-07-1996		
4	477212	LABEL - CLEAR WINDOW	1.0000	EA		B		3767	08-07-1996		
2	575852	KNOB, 9MM COLLET TYPE,	2.0000	EA		B		3671	04-08-1996		
2	575872	POINTER, 9MM COLLET TYPE	2.0000	EA		B		3671	04-08-1996		
2	575862	CAP. 9MM COLLET TYPE KNOB	2.0000	EA		B		3671	04-08-1996		
2	C11194	MODULE ASSEMBLY - M1 - (I	1.0000	EA		M	P	3671	04-08-1996		

Number :DN#28533 - IRCON INFRARAIL IRT SO-LI: 90244*1

Level	Part Number	Description	Quantity	UM	Alt.	MB X	ECO No.	ECO Date	Start Use	End Use
3	573912	HEADER 40 PIN DIP .6 CENT	1.0000	EA		B				
3	T-C11194-1	SELECT "M1" MODULE VALUES	0.0000	EA		B				
3	T-C11194-3	GT M1 MODULE VALUES	0.0000	EA		B				
2	575912	CONN. KEYING ELEMENT (DN-	2.0000	EA		B	3671	04-08-1996		
2	477132	LABEL, SERIAL NUMBER, DIN	1.0000	EA		B	3671	04-08-1996		
2	477122	LABEL, DIN BOX, INFRARAIL	1.0000	EA		B	3671	04-08-1996		
2	574082	TERM. BLOCK JUMPER QUICK	1.0000	EA		B	3671	04-08-1996		
2	LDNKIT	MTG CLIP KIT FOR INFRARAI	1.0000	EA		M P	3671	04-08-1996		
3	990300010	CLIP MTG FOR DIN BOX	2.0000	EA		B	3694	04-17-1996		
3	LDNKIT/01	SEE EXTENDED DESCRIPTION	0.0000	EA		M P				
2	477182	LABEL-CE MARK (PRODUCTS)	1.0000	EA		B	3671	04-08-1996		

W.O.#

Number :DN-HO#30543 - IRCON INFRARAIL IRT SO-LI: 91518*2

Level	Part Number	Description	Quantity	UM	Alt	MB X	ECO No.	ECO Date	Start Use	End Use
1	DN1DNE	DN PRICES	1.0000	EA		M P				
1	C11201-R713	SENSING HEAD FINAL ASSY	1.0000	EA		M P				
2	451323	FIELD STOP .044DIA	1.0000	EA		B	3709	05-17-1996		
2	C11201/01	SEE EXTENDED DESCRIPTION	0.0000	EA		M				
2	990300005	RETAINING RING 7/16 OD, .2	1.0000	EA		B	3709	05-17-1996		
2	431442	DET. LOCATOR MOD2	1.0000	EA		B	3709	05-17-1996		
2	C11209-R707	SH DETECTOR ASSEMBLY E HD	1.0000	EA		M P	3709	05-17-1996		
3	LR721-D	DET ASSY FOR SPL# R721	1.0000	EA		M P	3770	08-21-1996		
4	LR721-D/01	SEE EXTENDED DESCRIPTION	0.0000	EA		M P				
4	431432	DET. HOLDER MR20 SERIES	1.0000	EA		B				
4	640552	FILTER, BANDPASS	1.0000	EA		B				
4	590942	DETECTOR InGaAs 1.6u	1.0000	EA		B				
4	LR721-D/02	SEE EXTENDED DESCRIPTION	0.0000	EA		M P				
4	560372	CABLE PVC 1 COND SHIELD 2	3.0000	IN		B				
4	312430100	WIRE 24AWG BARE SOLID	1.0000	IN		B				
4	430292	CONN. GASKET 2000 SERIES	1.0000	EA		B				
4	575892	CONN. CIRC 3 RECPT 10SL-3	1.0000	EA		B				
4	490042	SPRING DETECTOR RETAINER	1.0000	EA		B				
4	630092	FOLDING MIRROR SH MROA SE	1.0000	EA		B				
4	490032	SPRING FOLDING MIRROR MOD	1.0000	EA		B				
4	200204130	SCREW #2-56 X 1/8 PH SLOT	1.0000	EA		B				
4	990100016	EPOXY HARDMAN #4001 3-5 M	1.0000	EA		B				
4	3214G00X0	TUBING #14 PVC CLEAR	1.0000	IN		B				
2	447352	SENSOR, E-HEAD	1.0000	EA		B	3709	05-17-1996		
2	610432	EYE LENS FOR A HEAD	1.0000	EA		B	3709	05-17-1996		
2	990100002	EPOXY HARDMAN #4005 GEN P	1.0000	EA		B	3709	05-17-1996		
2	447372	FIELD STOP, .312 DIA	1.0000	EA		B	3709	05-17-1996		
2	447382	FIELD STOP, .437 DIA	1.0000	EA		B	3709	05-17-1996		
2	610402	LENS PLANO CONVEX 30" F/L	1.0000	EA		B	3709	05-17-1996		
2	431752	O RING 13/16 X 1/16 TH 70	1.0000	EA		B	3709	05-17-1996		
2	447362	LENS RING E-HEAD SENSOR	1.0000	EA		B	3709	05-17-1996		
2	200412440	SCREW #4-40 X 3/8 FIL SLO	4.0000	EA		B	3709	05-17-1996		
2	220403200	WASHER #4 LOCK SPLIT RING	4.0000	EA		B	3709	05-17-1996		
2	454152	SCREW, ADJUSTMENT,	1.0000	EA		B	3709	05-17-1996		
2	433372	O RING 3/32 X 7/32 X 1/16	1.0000	EA		B	3709	05-17-1996		
2	220602200	WASHER #6 LOCK EXT TOOTH	1.0000	EA		B	3709	05-17-1996		
2	200606040	SCREW #6-32 X 3/16 PH SLO	1.0000	EA		B	3709	05-17-1996		
2	C11201/02	SEE EXTENDED DESCRIPTION	0.0000	EA		M				
2	443502	RETAINING NUT	1.0000	EA		B	3709	05-17-1996		
2	477142	LABEL, SERIAL NUMBER, SEN	1.0000	EA		B	3709	05-17-1996		
2	474772	LABEL GROUND WARNING	1.0000	EA		B	3709	05-17-1996		
2	T-C11201-1	DETERMINE IF CABLE IS REQ	0.0000	EA		B	3709	05-17-1996		
2	C11201/03	SEE EXTENDED DESCRIPTION	0.0000	EA		M				
2	999900013	CAP PLUG #SC-1-1/4	1.0000	EA		B	3709	05-17-1996		
2	990100028	SEALANT RTV SILICONE BLAC	1.0000	EA		B	3709	05-17-1996		
2	999900014	STEM BUMPER 3/8OD .275T	1.0000	EA		B	3709	05-17-1996		

R729 (Sensor Only)

W.O.# 19980

Number :DN-HO#27374 - IRCON INFRARAIL IRT SO-LI: 89560*1

Level	Part Number	Description	Quantity	UM	Alt.	MB X	ECO No.	ECO Date	Start Use	End Use
1	DN1DNE	DN PRICES	1.0000	EA		M P				
1	C11201-R713	SENSING HEAD FINAL ASSY	1.0000	EA		M P				
2	451323	FIELD STOP .044DIA	1.0000	EA		B	3709	05-17-1996		
2	C11201/01	SEE EXTENDED DESCRIPTION	0.0000	EA		M				
2	990300005	RETAINING RING 7/16 OD,.2	1.0000	EA		B	3709			
2	431442	DET. LOCATOR MOD2	1.0000	EA		B	3709	05-17-1996		
2	C11209-R707	SH DETECTOR ASSEMBLY E HD	1.0000	EA		M P	3709	05-17-1996		
3	LR721-D	DET ASSY FOR SPL# R721	1.0000	EA		M P	3770	08-21-1996		
4	LR721-D/01	SEE EXTENDED DESCRIPTION	0.0000	EA		M P				
4	431432	DET. HOLDER MR20 SERIES	1.0000	EA		B				
4	640552	FILTER, BANDPASS	1.0000	EA		B				
4	590942	DETECTOR InGaAs 1.6u	1.0000	EA		B				
4	LR721-D/02	SEE EXTENDED DESCRIPTION	0.0000	EA		M P				
4	560372	CABLE PVC 1 COND SHIELD 2	3.0000	IN		B				
4	312430100	WIRE 24AWG BARE SOLID	1.0000	IN		B				
4	430292	CONN. GASKET 2000 SERIES	1.0000	EA		B				
4	575892	CONN. CIRC 3 RECPT 10SL-3	1.0000	EA		B				
4	490042	SPRING DETECTOR RETAINER	1.0000	EA		B				
4	630092	FOLDING MIRROR SH MROA SE	1.0000	EA		B				
4	490032	SPRING FOLDING MIRROR MOD	1.0000	EA		B				
4	200204130	SCREW #2-56 X 1/8 PH SLOT	1.0000	EA		B				
4	990100016	EPOXY HARDMAN #4001 3-5 M	1.0000	EA		B				
4	3214G00X0	TUBING #14 PVC CLEAR	1.0000	IN		B				
2	447352	SENSOR, E-HEAD	1.0000	EA		B	3709	05-17-1996		
2	610432	EYE LENS FOR A HEAD	1.0000	EA		B	3709	05-17-1996		
2	990100002	EPOXY HARDMAN #4005 GEN P	1.0000	EA		B	3709	05-17-1996		
2	447372	FIELD STOP, .312 DIA	1.0000	EA		B	3709	05-17-1996		
2	447382	FIELD STOP, .437 DIA	1.0000	EA		B	3709	05-17-1996		
2	610402	LENS PLANO CONVEX 30" F/L	1.0000	EA		B	3709	05-17-1996		
2	431752	O RING 13/16 X 1/16 TH 70	1.0000	EA		B	3709	05-17-1996		
2	447362	LENS RING E-HEAD SENSOR	1.0000	EA		B	3709	05-17-1996		
2	200412440	SCREW #4-40 X 3/8 FIL SLO	4.0000	EA		B	3709	05-17-1996		
2	220403200	WASHER #4 LOCK SPLIT RING	4.0000	EA		B	3709	05-17-1996		
2	454152	SCREW, ADJUSTMENT,	1.0000	EA		B	3709	05-17-1996		
2	433372	O RING 3/32 X 7/32 X 1/16	1.0000	EA		B	3709	05-17-1996		
2	220602200	WASHER #6 LOCK EXT TOOTH	1.0000	EA		B	3709	05-17-1996		
2	200606040	SCREW #6-32 X 3/16 PH SLO	1.0000	EA		B	3709	05-17-1996		
2	C11201/02	SEE EXTENDED DESCRIPTION	0.0000	EA		M				
2	443502	RETAINING NUT	1.0000	EA		B	3709	05-17-1996		
2	477142	LABEL, SERIAL NUMBER, SEN	1.0000	EA		B	3709	05-17-1996		
2	474772	LABEL GROUND WARNING	1.0000	EA		B	3709	05-17-1996		
2	T-C11201-1	DETERMINE IF CABLE IS REQ	0.0000	EA		B	3709	05-17-1996		
2	C11201/03	SEE EXTENDED DESCRIPTION	0.0000	EA		M				
2	999900013	CAP PLUG #SC-1-1/4	1.0000	EA		B	3709	05-17-1996		
2	990100028	SEALANT RTV SILICONE BLAC	1.0000	EA		B	3709	05-17-1996		
2	999900014	STEM BUMPER 3/8OD .275T	1.0000	EA		B	3709	05-17-1996		

R729 (Sensor Only)



IRCON, INC T 847-967-5151
 7300 North Natchez Ave T 800-323-7660
 Niles, Illinois 60714 USA F 847-647-0948

Acknowledgment

ORDER DATE: 12 JUL 2006

REV: DATE:

Customer No. 003639
SOLD TO

SHIP TO

PEI MIDSOUTH, INC.
 SUITE 304
 201 HOLIDAY BLVD.
 COVINGTON, LA 70433

PEI MIDSOUTH, INC.
 SUITE 304
 201 HOLIDAY BLVD.
 COVINGTON, LA 70433

SPECIAL SHIPPING INSTRUCTIONS

OUR ORDER No.		YOUR PO No.		F.O.B.			TAX		
91561		06-20439		ORIGIN			Resale		
SHIP VIA		TERMS		DATE REQUESTED		SALES REPRESENTATIVE			
UPS		0.00/0/30		08-03-06		1237 (100.00)			
LI	PART NO.	PRODUCT/DESCRIPTION			QTY	UNIT PRICE	DISC	NET PRICE	EXTENSION
1	DN-HO#30572 <i>W.O.# 21914</i>	DN_DNE31-13C <i>DNE99-99C</i> IRCON INFRARAIL IRT SENSING HEAD ONLY Consists of the following: 1.0000 - INFRARAIL HEAD ONLY 1.0000 - DN - E SERIES 1.0000 - D/100 RESOLUTION (E) 1.0000 - 800-1300C			1	1370.00	0.0	1370.00	1370.00
		<i>Redo Spec. No R 729 Temp range 450 to 1050C D/50 resolution with cable break alarm</i>							
2	DN#30573 <i>W.O.# 21915</i>	DN_DNE31-13C <i>DNE99-99C</i> IRCON INFRARAIL IRT SYSTEM-COMPLETE Consists of the following: 1.0000 - INFRARAIL 1.0000 - DN - E SERIES 1.0000 - Std Cbl Lgth 12ft 1.0000 - D/100 RESOLUTION (E) 1.0000 - 800-1300C			2	2685.00	0.0	2685.00	5370.00
		<i>Same as item No 1</i>							
THIS ORDER IS ACCEPTED SUBJECT TO TERMS AND CONDITIONS SHOWN ON THIS AND THE REVERSE SIDE						GRAND TOTAL		USD6,740.00	

SHIP TO: IRCON, INC.
 7300 N. NATCHEZ AVE.
 NILES, IL 60714 USA

IF TAX EXEMPT, PLEASE PROVIDE COPY OF EXEMPTION OR DIRECT PAYMENT CERTIFICATE



IRCON, INC.
 7300 North Natchez Avenue
 Niles, Illinois 60714 USA

Telephone 847-967-5151
 Toll Free 800-323-7660
 Fax 847-647-0948

ISO 9001/OS 9000 TE
 Quality Systems Certified

**Modified Standard Product
 Data Form**

A modified standard product is a product that is based on a standard product found in the most recent price list. The modifications maybe items such as; temperature ranges, output types, resolution, response time and optical issues. A modified standard product form is to be completed and submitted to Steve Schumm and Gene Kalley for review and approval based on the modification (which we have done before). If the modification has not been done before, the approval will require the entire senior management team's approval BEFORE QUOTING. A modified standard product if approved; this product will become a price listed standard product. We can then pay commission as outlined in our most recent contract.

- Standard Product is a Model Number: DNE31-13C
- Standard Product List Price: \$ 2185 complete system
- The product change requested would be: Redo R729, 450-1050c
0/50 with Cable Break Alarm *Sales will attach specifics to this form.*
- The market is willing to pay \$2685 for this product (total including standard price).
- What is engineering's expected time investment and cost: 1 hour Man Days
\$ 100⁰⁰
- What is production's expected purchasing and production time requirement: _____ Days
- This new product has potential in the following application and estimated potential per year would be _____ per year.

- This product will be not be _____ quoted and produced as previously outlined.
- Agreed on this date of _____ By production/purchasing _____
 By engineering A.D. 7/12/06
- Sales can now quote this project for \$ _____ per unit. w.o.# 21914 & 21915
 _____ lead time.

____ Add to standard product list in literature (Maxine)
 ____ Add to price list (Vern)
 cc/ Greg P, Paul V, Regional Sales Staff Globally

W.O.# 21914

Number :DN-HO#30572 - IRCON INFRARAIL IRT SO-LI: 91561*1

Level	Part Number	Description	Quantity	UM	Alt.	MB X	ECO No.	ECO Date	Start Use	End Use
1	DN1DNE	DN PRICES	1.0000	EA		M P				
1	C11201-R713	SENSING HEAD FINAL ASSY	1.0000	EA		M P				
2	451323	FIELD STOP .044DIA	1.0000	EA		B	3709	05-17-1996		
2	C11201/01	SEE EXTENDED DESCRIPTION	0.0000	EA		M				
2	990300005	RETAINING RING 7/16 OD, .2	1.0000	EA		B	3709	05-17-1996		
2	431442	DET. LOCATOR MOD2	1.0000	EA		B	3709	05-17-1996		
2	C11209-R707	SH DETECTOR ASSEMBLY E HD	1.0000	EA		M P	3709	05-17-1996		
3	LR721-D	DET ASSY FOR SPL# R721	1.0000	EA		M P	3770	08-21-1996		
4	LR721-D/01	SEE EXTENDED DESCRIPTION	0.0000	EA		M P				
4	431432	DET. HOLDER MR20 SERIES	1.0000	EA		B				
4	640552	FILTER, BANDPASS	1.0000	EA		B				
4	590942	DETECTOR InGaAs 1.6u	1.0000	EA		B				
4	LR721-D/02	SEE EXTENDED DESCRIPTION	0.0000	EA		M P				
4	560372	CABLE PVC 1 COND SHIELD 2	3.0000	IN		B				
4	312430100	WIRE 24AWG BARE SOLID	1.0000	IN		B				
4	430292	CONN. GASKET 2000 SERIES	1.0000	EA		B				
4	575892	CONN. CIRC 3 RECPT 10SL-3	1.0000	EA		B				
4	490042	SPRING DETECTOR RETAINER	1.0000	EA		B				
4	630092	FOLDING MIRROR SH MROA SE	1.0000	EA		B				
4	490032	SPRING FOLDING MIRROR MOD	1.0000	EA		B				
4	200204130	SCREW #2-56 X 1/8 PH SLOT	1.0000	EA		B				
4	990100016	EPOXY HARDMAN #4001 3-5 M	1.0000	EA		B				
4	3214G00X0	TUBING #14 PVC CLEAR	1.0000	IN		B				
2	447352	SENSOR, E-HEAD	1.0000	EA		B	3709	05-17-1996		
2	610432	EYE LENS FOR A HEAD	1.0000	EA		B	3709	05-17-1996		
2	990100002	EPOXY HARDMAN #4005 GEN P	1.0000	EA		B	3709	05-17-1996		
2	447372	FIELD STOP, .312 DIA	1.0000	EA		B	3709	05-17-1996		
2	447382	FIELD STOP, .437 DIA	1.0000	EA		B	3709	05-17-1996		
2	610402	LENS PLANO CONVEX 30" F/L	1.0000	EA		B	3709	05-17-1996		
2	431752	O RING 13/16 X 1/16 TH 70	1.0000	EA		B	3709	05-17-1996		
2	447362	LENS RING E-HEAD SENSOR	1.0000	EA		B	3709	05-17-1996		
2	200412440	SCREW #4-40 X 3/8 FIL SLO	4.0000	EA		B	3709	05-17-1996		
2	220403200	WASHER #4 LOCK SPLIT RING	4.0000	EA		B	3709	05-17-1996		
2	454152	SCREW, ADJUSTMENT,	1.0000	EA		B	3709	05-17-1996		
2	433372	O RING 3/32 X 7/32 X 1/16	1.0000	EA		B	3709	05-17-1996		
2	220602200	WASHER #6 LOCK EXT TOOTH	1.0000	EA		B	3709	05-17-1996		
2	200606040	SCREW #6-32 X 3/16 PH SLO	1.0000	EA		B	3709	05-17-1996		
2	C11201/02	SEE EXTENDED DESCRIPTION	0.0000	EA		M				
2	443502	RETAINING NUT	1.0000	EA		B	3709	05-17-1996		
2	477142	LABEL, SERIAL NUMBER, SEN	1.0000	EA		B	3709	05-17-1996		
2	474772	LABEL GROUND WARNING	1.0000	EA		B	3709	05-17-1996		
2	T-C11201-1	DETERMINE IF CABLE IS REQ	0.0000	EA		B	3709	05-17-1996		
2	C11201/03	SEE EXTENDED DESCRIPTION	0.0000	EA		M				
2	999900013	CAP PLUG #SC-1-1/4	1.0000	EA		B	3709	05-17-1996		
2	990100028	SEALANT RTV SILICONE BLAC	1.0000	EA		B	3709	05-17-1996		
2	999900014	STEM BUMPER 3/8OD .275T	1.0000	EA		B	3709	05-17-1996		

OK

R729 (SENSOR ONLY)

W.O. 21915

Number :DN#30573 - IRCON INFRARAIL IRT SO-LI: 91561*2

Level	Part Number	Description	Quantity	UM	Alt	MB X	ECO No.	ECO Date	Start Use	End Use
	DNODNE	DN PRICES	1.0000	EA		M P				
1	C11201-R713	SENSING HEAD FINAL ASSY	1.0000	EA		M P				
2	451323	FIELD STOP .044DIA	1.0000	EA		B	3709	05-17-1996		
2	C11201/01	SEE EXTENDED DESCRIPTION	0.0000	EA		M				
2	990300005	RETAINING RING 7/16 OD, .2	1.0000	EA		B	3709	05-17-1996		
2	431442	DET. LOCATOR MOD2	1.0000	EA		B	3709	05-17-1996		
2	C11209-R707	SH DETECTOR ASSEMBLY E HD	1.0000	EA		M P	3709	05-17-1996		
3	LR721-D	DET ASSY FOR SPL# R721	1.0000	EA		M P	3770	08-21-1996		
4	LR721-D/01	SEE EXTENDED DESCRIPTION	0.0000	EA		M P				
4	431432	DET. HOLDER MR20 SERIES	1.0000	EA		B				
4	640552	FILTER, BANDPASS	1.0000	EA		B				
4	590942	DETECTOR InGaAs 1.6u	1.0000	EA		B				
4	LR721-D/02	SEE EXTENDED DESCRIPTION	0.0000	EA		M P				
4	560372	CABLE PVC 1 COND SHIELD 2	3.0000	IN		B				
4	312430100	WIRE 24AWG BARE SOLID	1.0000	IN		B				
4	430292	CONN. GASKET 2000 SERIES	1.0000	EA		B				
4	575892	CONN. CIRC 3 RECPT 10SL-3	1.0000	EA		B				
4	490042	SPRING DETECTOR RETAINER	1.0000	EA		B				
4	630092	FOLDING MIRROR SH MROA SE	1.0000	EA		B				
4	490032	SPRING FOLDING MIRROR MOD	1.0000	EA		B				
4	200204130	SCREW #2-56 X 1/8 PH SLOT	1.0000	EA		B				
4	990100016	EPOXY HARDMAN #4001 3-5 M	1.0000	EA		B				
4	3214G00X0	TUBING #14 PVC CLEAR	1.0000	IN		B				
2	447352	SENSOR, E-HEAD	1.0000	EA		B	3709	05-17-1996		
2	610432	EYE LENS FOR A HEAD	1.0000	EA		B	3709	05-17-1996		
2	990100002	EPOXY HARDMAN #4005 GEN P	1.0000	EA		B	3709	05-17-1996		
2	447372	FIELD STOP, .312 DIA	1.0000	EA		B	3709	05-17-1996		
2	447382	FIELD STOP, .437 DIA	1.0000	EA		B	3709	05-17-1996		
2	610402	LENS PLANO CONVEX 30" F/L	1.0000	EA		B	3709	05-17-1996		
2	431752	O RING 13/16 X 1/16 TH 70	1.0000	EA		B	3709	05-17-1996		
2	447362	LENS RING E-HEAD SENSOR	1.0000	EA		B	3709	05-17-1996		
2	200412440	SCREW #4-40 X 3/8 FIL SLO	4.0000	EA		B	3709	05-17-1996		
2	220403200	WASHER #4 LOCK SPLIT RING	4.0000	EA		B	3709	05-17-1996		
2	454152	SCREW, ADJUSTMENT,	1.0000	EA		B	3709	05-17-1996		
2	433372	O RING 3/32 X 7/32 X 1/16	1.0000	EA		B	3709	05-17-1996		
2	220602200	WASHER #6 LOCK EXT TOOTH	1.0000	EA		B	3709	05-17-1996		
2	200606040	SCREW #6-32 X 3/16 PH SLO	1.0000	EA		B	3709	05-17-1996		
2	C11201/02	SEE EXTENDED DESCRIPTION	0.0000	EA		M				
2	443502	RETAINING NUT	1.0000	EA		B	3709	05-17-1996		
2	477142	LABEL, SERIAL NUMBER, SEN	1.0000	EA		B	3709	05-17-1996		
2	474772	LABEL GROUND WARNING	1.0000	EA		B	3709	05-17-1996		
2	T-C11201-1	DETERMINE IF CABLE IS REQ	0.0000	EA		B	3709	05-17-1996		
2	C11201/03	SEE EXTENDED DESCRIPTION	0.0000	EA		M				
2	999900013	CAP PLUG #SC-1-1/4	1.0000	EA		B	3709	05-17-1996		
2	990100028	SEALANT RTV SILICONE BLAC	1.0000	EA		B	3709	05-17-1996		
2	999900014	STEM BUMPER 3/8OD .275T	1.0000	EA		B	3709	05-17-1996		
1	D11198	PVC-(INT/EXT-E/F SERIES) (1.0000	EA		M P				
2	560052	CABLE PVC 2 COND 1100/200	1.0000	FT		B	3913	04-02-1997		
2	D11198/01	SEE EXTENDED DESCRIPTION	0.0000	EA		M				
2	D11198/02	SEE EXTENDED DESCRIPTION	0.0000	EA		M				
2	D11198/03	SEE EXTENDED DESCRIPTION	8.0000	EA		M				
2	575882	CONN. CIRC 10SL-3 BACKSHE	1.0000	EA		B	3913	04-02-1997		
2	3210G00X0	TUBING #10 PVC CLEAR	3.0000	IN		B	3913	04-02-1997		
2	3212G00X0	TUBING #12 PVC CLEAR	1.0000	IN		B	3913	04-02-1997		
2	575902	CONN. CIRC 10SL-3 STR PLU	1.0000	EA		B	3913	04-02-1997		
2	321611400	TUBING 1/4" SHRINKABLE BL	1.0000	IN		B	3913	04-02-1997		
2	990100027	ADHESIVE LOCTITE 272	1.0000	EA		B	3913	04-02-1997		
2	C-CABLE	DETERMINE CABLE LENGTH FR	1.0000	EA		M P	3913	04-02-1997		
2	477202	LABEL INFRARAIL (2.0" X 0	1.0000	EA		B	3913	04-02-1997		
1	U-D11198-C	12 FEET OF CABLE	1.0000	EA		M P				
2	560052	CABLE PVC 2 COND 1100/200	12.0000	FT		B				
1	U-M1-R729	MODULE ASSY M1-INFRARAIL	1.0000	EA		M P				
2	102103011	RES. 210K OHM MF 1/4W 1%	1.0000	EA		B				
2	101872011	RES. 18.7K OHM MF 1/4W 1%	1.0000	EA		B				
2	101243011	RES. 124K OHM MF 1/4W 1%	1.0000	EA		B				
2	101502011	RES. 15.0K OHM MF 1/4W 1%	1.0000	EA		B				
2	105902011	RES. 59.0K OHM MF 1/4W 1%	1.0000	EA		B				
2	101002011	RES. 10.0K OHM MF 1/4W 1%	1.0000	EA		B				

R729

Number :DN#30573 - IRCON INFRARAIL IRT SO-LI: 91561*2

Level	Part Number	Description	Quantity	UM	Alt	MB X	ECO No.	ECO Date	Start Use	End Use
2	109532011	RES. 95.3K OHM MF 1/4W 1%	1.0000	EA		B				
2	106341011	RES. 6.34K OHM MF 1/4W 1%	1.0000	EA		B				
2	101583011	RES. 158K OHM MF 1/4W 1%	1.0000	EA		B				
2	103831011	RES. 3.83K OHM MF 1/4W 1%	1.0000	EA		B				
2	102743011	RES. 274K OHM MF 1/4W 1%	1.0000	EA		B				
2	102151011	RES. 2.15K OHM MF 1/4W 1%	1.0000	EA		B				
2	104873011	RES. 487K OHM MF 1/4W 1%	1.0000	EA		B				
2	101211011	RES. 1.21K OHM MF 1/4W 1%	1.0000	EA		B				
2	109093011	RES. 909K OHM MF 1/4W 1%	1.0000	EA		B				
2	106340011	RES. 634 OHM MF 1/4W 1%	1.0000	EA		B				
2	101744011	RES. 1.74M OHM MF 1/4W 1%	1.0000	EA		B				
2	103320011	RES. 332 OHM MF 1/4W 1%	1.0000	EA		B				
2	102870011	RES. 287 OHM MF 1/4W 1%	1.0000	EA		B				
2	103574011	RES. 3.57M OHM MF 1/4W 1%	1.0000	EA		B				
1	D11191	INFRARAIL BOX ASSEMBLY	1.0000	EA		M P				
2	433332	ENCLOSURE, DIN BOX, MODIF	1.0000	EA		B	3671	04-08-1996		
2	C11187	POWER SUPPLY/ PEAK-PICKER	1.0000	EA		M P	3671	04-08-1996		
3	C20212	SCHEMATIC: POWER SUPPLY/	1.0000	EA		M P	4202	01-14-1999		
3	LDN200	PWR SUPPLY/ PP PCB ASSY	1.0000	EA		M P	4202	01-14-1999		
4	502505	PCB DIN RAIL POWER PEAK-P	1.0000	EA		B	3769	08-05-1996		
4	LDN200/01	SEE EXTENDED DESCRIPTION	0.0000	EA		M P				
4	533082	TRAN. MJE800 NPN - DARLIN	1.0000	EA		B	3769	08-05-1996		
4	LDN200/02	SEE EXTENDED DESCRIPTION	0.0000	EA		M P				
4	LDN200/03	SEE EXTENDED DESCRIPTION	0.0000	EA		M P				
4	530882	DIODE 1N4002 GP RECTIFIER	1.0000	EA		B	3769	08-05-1996		
4	532952	OP-AMP ULTRA LOW BIAS	2.0000	EA		B	3769	08-05-1996		
4	532322	IC 4053B ANALOG MUX/DEMUX	1.0000	EA		B	4842	07-31-2002		
4	531862	OP-AMP LM346N PROGRAM QUA	1.0000	EA		B	3769	08-05-1996		
4	102493011	RES. 249K OHM MF 1/4W 1%	1.0000	EA		B	3769	08-05-1996		
4	103321011	RES. 3.32K OHM MF 1/4W 1%	1.0000	EA		B	3769	08-05-1996		
4	101820011	RES. 182 OHM MF 1/4W 1%	1.0000	EA		B	3769	08-05-1996		
4	104421011	RES. 4.42K OHM MF 1/4W 1%	1.0000	EA		B	3769	08-05-1996		
4	106654011	RES. 6.65M OHM MF 1/4W 1%	1.0000	EA		B	3769	08-05-1996		
4	104993011	RES. 499K OHM MF 1/4W 1%	1.0000	EA		B	3769	08-05-1996		
4	104021011	RES. 4.02K OHM MF 1/4W 1%	1.0000	EA		B	3769	08-05-1996		
4	105364011	RES. 5.36M OHM MF 1/4W 1%	2.0000	EA		B	3769	08-05-1996		
4	103480011	RES. 348 OHM MF 1/4W 1%	1.0000	EA		B	3769	08-05-1996		
4	100000990	JUMPER DUMMY RESISTOR	5.0000	EA		B	3769	08-05-1996		
4	101000011	RES. 100 OHM MF 1/4W 1%	1.0000	EA		B	3769	08-05-1996		
4	101003011	RES. 100K OHM MF 1/4W 1%	1.0000	EA		B	3769	08-05-1996		
4	101004011	RES. 1.00M OHM MF 1/4W 1%	4.0000	EA		B	3769	08-05-1996		
4	102003011	RES. 200K OHM MF 1/4W 1%	2.0000	EA		B	3769	08-05-1996		
4	104991011	RES. 4.99K OHM MF 1/4W 1%	1.0000	EA		B	3769	08-05-1996		
4	101503011	RES. 150K OHM MF 1/4W 1%	1.0000	EA		B				
4	530572	DIODE 1N4446 SWITCHING	2.0000	EA		B	4906	05-19-2003		
4	530532	DIODE FD300 GENERAL PURPO	1.0000	EA		B	3769	08-05-1996		
4	521852	CAP. 0.68 MFD 50V CERAMIC	1.0000	EA		B	3769	08-05-1996		
4	521972	CAP. .047 MFD 50V CER X7	1.0000	EA		B	3769	08-05-1996		
4	521072	CAP. 22MFD 16V TANT 10%	2.0000	EA		B	3769	08-05-1996		
4	551122	CHOKE 9250-122 1.2 UH, .1	2.0000	EA		B	3769	08-05-1996		
4	521902	CAP. NPO 1000pf 200V .2LS	1.0000	EA		B	3769	08-05-1996		
4	521862	CAP. 3.3 MFD 50V CERAMC X	1.0000	EA		B	3769	08-05-1996		
4	521872	CAP. 1.0 MFD 50V CERAMIC	5.0000	EA		B	3769	08-05-1996		
4	522002	CAP. .01 MFD 200V CERAMIC	6.0000	EA		B	3769	08-05-1996		
4	531892	REG. LM317LZ +1.2/37V ADJ	1.0000	EA		B	3769	08-05-1996		
4	431902	BIVAR PERMO PAD 0.250 DIA	1.0000	EA		B	3769	08-05-1996		
4	530862	TRAN. 2N2222A NPN MED POW	1.0000	EA		B	3769	08-05-1996		
4	551152	INDUCTOR 100UH +/-10% IMS	2.0000	EA		B	3769	08-05-1996		
4	531882	DIODE LM385BZ-2.5 2.5V RE	6.0000	EA		B	3769	08-05-1996		
4	575602	CONN. HDR AMP STRAIGHT 5	1.0000	EA		B	3769	08-05-1996		
4	574592	CONN. HDR AMP STRAIGHT 4	1.0000	EA		B	3769	08-05-1996		
4	LDN200/04	SEE EXTENDED DESCRIPTION	0.0000	EA		M P				
4	572732	HEADER SNGL 36 PIN .1 CNT	11.0000	EA		B	3769	08-05-1996		
4	LDN200/05	SEE EXTENDED DESCRIPTION	0.0000	EA		M P				
2	C11186	PREAMP/ LINEARIZER PCB AS	1.0000	EA		M P	3671	04-08-1996		
3	C20211	SCHEMATIC: PREAMP/ LINEAR	1.0000	EA		M P	4785	03-05-2002		
3	LDN100	PREAMP/ LIN PCB ASSY INFR	1.0000	EA		M P	3659	04-12-1996		
4	502493	PCB DIN RAIL LINEARIZER	1.0000	EA		B	3767	08-07-1996		

Number :DN#30573 - IRCON INFRARAIL IRT SO-LI: 91561*2

Level	Part Number	Description	Quantity	UM	Alt	MB X	ECO No.	ECO Date	Start Use	End Use
4	LDN100/01	SEE EXTENDED DESCRIPTION	0.0000	EA		M P				
4	LDN100/02	SEE EXTENDED DESCRIPTION	0.0000	EA		M P				
4	532982	OP-AMP AD548CQ LOW PWR	1.0000	EA		B	3767	08-07-1996		
4	531862	OP-AMP LM346N PROGRAM QUA	3.0000	EA		B	3767	08-07-1996		
4	530532	DIODE FD300 GENERAL PURPO	16.0000	EA		B	3767	08-07-1996		
4	514632	RES. 330K NETWORK 10 PIN	2.0000	EA		B	3767	08-07-1996		
4	514642	RES. 330K NETWORK 10 PIN	2.0000	EA		B	3767	08-07-1996		
4	104533011	RES. 453K OHM MF 1/4W 1%	1.0000	EA		B	3767	08-07-1996		
4	1010R0011	RES. 10.0 OHM MF 1/4W 1%	1.0000	EA		B	3767	08-07-1996		
4	102743011	RES. 274K OHM MF 1/4W 1%	1.0000	EA		B	3767	08-07-1996		
4	102103011	RES. 210K OHM MF 1/4W 1%	1.0000	EA		B	3767	08-07-1996		
4	105364011	RES. 5.36M OHM MF 1/4W 1%	6.0000	EA		B	3767	08-07-1996		
4	101002011	RES. 10.0K OHM MF 1/4W 1%	1.0000	EA		B	3767	08-07-1996		
4	101003011	RES. 100K OHM MF 1/4W 1%	1.0000	EA		B	3767	08-07-1996		
4	102003011	RES. 200K OHM MF 1/4W 1%	2.0000	EA		B	3767	08-07-1996		
4	101000011	RES. 100 OHM MF 1/4W 1%	2.0000	EA		B	3767	08-07-1996		
4	100000990	JUMPER DUMMY RESISTOR	1.0000	EA		B	3767	08-07-1996		
4	551122	CHOKO 9250-122 1.2 UH, .1	1.0000	EA		B	3767	08-07-1996		
4	540412	FERRITE BEAD ON LEAD AXIA	3.0000	EA		B	3767	08-07-1996		
4	522002	CAP. .01 MFD 200V CERAMIC	7.0000	EA		B	3767	08-07-1996		
4	521902	CAP. NPO 1000pf 200V .2LS	2.0000	EA		B	3767	08-07-1996		
4	521932	CAP. 100 PF COG 200V	1.0000	EA		B	3767	08-07-1996		
4	521962	CAP. 10Pf NPO 200V .2LS	2.0000	EA		B	3767	08-07-1996		
4	514612	POT. 50K 25T 1/2W 10%	1.0000	EA		B	3767	08-07-1996		
4	514242	POT. 25K OHM 25T 1/2W 10%	1.0000	EA		B	3767	08-07-1996		
4	514622	POT. 100K 25T 1/2W 10%	1.0000	EA		B	3767	08-07-1996		
4	574922	CONN. HDR AMP STRAIGHT 3	1.0000	EA		B	3767	08-07-1996		
4	LDN100/03	SEE EXTENDED DESCRIPTION	0.0000	EA		M P				
4	574432	SOCKET 40 POS DIP .5HT EL	1.0000	EA		B	3767	08-07-1996		
4	LDN100/04	SEE EXTENDED DESCRIPTION	0.0000	EA		M P				
4	526002	CAP. SMC 330PF NPO 50V 5%	1.0000	EA		B	3767	08-07-1996		
4	572732	HEADER SNGL 36 PIN .1 CNT	11.0000	EA		B	3767	08-07-1996		
4	LDN100/05	SEE EXTENDED DESCRIPTION	0.0000	EA		M P				
2	C11193	PCB INTERCONNECT ASSEMBLY	1.0000	EA		M P	3671	04-08-1996		
3	LDN300	PCB INTERCONN ASSY (INFRA	1.0000	EA		M P				
4	502533	PCB DIN RAIL POWER PEAK-P	1.0000	EA		B	3721	08-01-1996		
4	575922	CONN. FEMALE 11 POSITION	2.0000	EA		B	3721	08-01-1996		
2	477112	LABEL, COVER, DIN BOX	1.0000	EA		B	4909	06-11-2003		
2	C11190	DECAY RATE POT/ CONNECTOR	1.0000	EA		M P	3671	04-08-1996		
3	LDN003	DECAY RATE POT/ CONN. ASS	1.0000	EA		M P	4030	10-08-1997		
4	514592	POT. 50K OHM 1T 1/2W 10%	1.0000	EA		B				
4	LDN003/01	SEE EXTENDED DESCRIPTION	0.0000	EA		M P				
4	302479000	WIRE 24AWG VIO/WHITE STRA	1.0000	IN		B				
4	302409000	WIRE 24AWG BLK/WHITE STRA	1.0000	IN		B				
4	302459000	WIRE 24AWG GRN/WHITE STRA	1.0000	IN		B				
4	574662	CONN. CONTACT 20-24 AWG C	3.0000	EA		B				
4	574692	CONN. HOUSING 5 POSITION-	1.0000	EA		B				
2	C11189	RESPONSE TIME POT/ CONNEC	1.0000	EA		M P	3671	04-08-1996		
3	LDN002	RESP. TIME POT/ CONN. ASS	1.0000	EA		M P				
4	514602	POT. 5M OHM 1T 1/2W 20% P	1.0000	EA		B				
4	302440000	WIRE 24AWG YEL/BLACK STRA	1.0000	IN		B				
4	302460000	WIRE 24AWG BLU/BLACK STRA	1.0000	IN		B				
4	302430000	WIRE 24AWG ORG/BLACK STRA	1.0000	IN		B				
4	574662	CONN. CONTACT 20-24 AWG C	3.0000	EA		B				
4	574682	CONN. HOUSING 4 POSITION-	1.0000	EA		B				
2	C11188	EMISSIVITY POT/ CONNECTOR	1.0000	EA		M P	3671	04-08-1996		
3	LDN001	EMISSIVITY POT/ CONN. ASS	1.0000	EA		M P	3767	08-07-1996		
4	513722	POT. 100K 2 DIGIT 1% DIGI	1.0000	EA		B	3767	08-07-1996		
4	30245X000	WIRE 24AWG GREEN STRANDED	1.0000	IN		B	3767	08-07-1996		
4	30249X000	WIRE 24AWG WHITE STRANDED	1.0000	IN		B	3767	08-07-1996		
4	30246X000	WIRE 24AWG BLUE STRANDED	1.0000	IN		B	3767	08-07-1996		
4	574662	CONN. CONTACT 20-24 AWG C	3.0000	EA		B	3767	08-07-1996		
4	574672	CONN. HOUSING 3 POSITION-	1.0000	EA		B	3767	08-07-1996		
4	477212	LABEL - CLEAR WINDOW	1.0000	EA		B	3767	08-07-1996		
2	575852	KNOB, 9MM COLLET TYPE,	2.0000	EA		B	3671	04-08-1996		
2	575872	POINTER, 9MM COLLET TYPE	2.0000	EA		B	3671	04-08-1996		
2	575862	CAP. 9MM COLLET TYPE KNOB	2.0000	EA		B	3671	04-08-1996		
2	C11194	MODULE ASSEMBLY - M1 - (I	1.0000	EA		M P	3671	04-08-1996		

Number :DN#30573 - IRCON INFRARAIL IRT SO-LI: 91561*2

.....Level.....	..Part Number..Description.....	.Quantity.	.UM.	Alt.	MB X	.ECO No.	.ECO Date.	.Start Use	.End Use..
				UM						
3	573912	HEADER 40 PIN DIP .6 CENT	1.0000	EA		B				
3	T-C11194-1	SELECT "M1" MODULE VALUES	0.0000	EA		B				
3	T-C11194-3	GT M1 MODULE VALUES	0.0000	EA		B				
2	575912	CONN. KEYING ELEMENT (DN-	2.0000	EA		B	3671	04-08-1996		
2	477132	LABEL, SERIAL NUMBER, DIN	1.0000	EA		B	3671	04-08-1996		
2	477122	LABEL, DIN BOX, INFRARAIL	1.0000	EA		B	3671	04-08-1996		
2	574082	TERM. BLOCK JUMPER QUICK	1.0000	EA		B	3671	04-08-1996		
2	LDNKIT	MTG CLIP KIT FOR INFRARAI	1.0000	EA		M P	3671	04-08-1996		
3	990300010	CLIP MTG FOR DIN BOX	2.0000	EA		B	3694	04-17-1996		
3	LDNKIT/01	SEE EXTENDED DESCRIPTION	0.0000	EA		M P				
2	477182	LABEL-CE MARK (PRODUCTS)	1.0000	EA		B	3671	04-08-1996		



IRCON, INC T 847-967-5151
 7300 North Natchez Ave T 800-323-7660
 Niles, Illinois 60714 USA F 847-647-0948

Acknowledgment

ORDER DATE: 04 AUG 2006

REV: DATE:

Customer No. 100426

SOLD TO

SHIP TO

OTTO JUNKER GMBH
 JAGERHAUSSTRASSE 22
 SIMMERATH, 52152
 GERMANY

IRCON B.V.
 DATABANKWEG 6 C
 3821 AL AMERSFOORT
 THE NETHERLANDS

SPECIAL SHIPPING INSTRUCTIONS

OUR ORDER No.		YOUR PO No.		F.O.B.			TAX
91740		1511		ORIGIN			Resale
SHIP VIA		TERMS		DATE REQUESTED	SALES REPRESENTATIVE		
UPS SCS		0.00/0/180		09-08-06	1001 (100.00)		
LI	PART NO.	PRODUCT/DESCRIPTION	QTY	UNIT PRICE	DISC	NET PRICE	EXTENSION
1	DN#30800 <i>W.O.# 22077</i>	DN_DNE31-120 <i>Eqg-99c</i> IRCON INFRARAIL IRT SYSTEM-COMPLETE Consists of the following: 1.0000 - INFRARAIL 1.0000 - DN - E SERIES 1.0000 - Std Cbl Lgth 4 meters. 12m 1.0000 - D/100 RESOLUTION (E) 1.0000 - 800-1300C	1	626.67	0.0	626.67	626.67
2	MOD-CHARGES	MODIFICATION OF PRODUCT	1	78.33	0.0	78.33	78.33
THIS ORDER IS ACCEPTED SUBJECT TO TERMS AND CONDITIONS SHOWN ON THIS AND THE REVERSE SIDE				GRAND TOTAL		ECU705.00	

*Redo spec to R729
 Temp range 450 to 1050C
 D/50 resolution
 with cable Break alarm*

*RPB
 8/4*

SHIP TO: IRCON, INC.
 7300 N. NATCHEZ AVE.
 NILES, IL 60714 USA

IF TAX EXEMPT, PLEASE PROVIDE COPY OF
 EXEMPTION OR DIRECT PAYMENT CERTIFICATE



IRCON, INC.
7300 North Natchez Avenue
Niles, Illinois 60714 USA

Telephone 847-967-5151
Toll Free 800-323-7660
Fax 847-647-0948

ISO 9001/OS 9000 IE
Quality Systems Certified

Modified Standard Product
Data Form

A modified standard product is a product that is based on a standard product found in the most recent price list. The modifications maybe items such as; temperature ranges, output types, resolution, response time and optical issues. A modified standard product form is to be completed and submitted to Steve Schumm and Gene Kalley for review and approval based on the modification (which we have done before). If the modification has not been done before, the approval will require the entire senior management team's approval BEFORE QUOTING. A modified standard product if approved; this product will become a price listed standard product. We can then pay commission as outlined in our most recent contract.

- Standard Product is a Model Number: DNE31-13C
- Standard Product List Price: \$ 800
- The product change requested would be: Req R729-450-1050C
0/50 Res Cable Breakdown *Sales will attach specifics to this form.*
- The market is willing to pay: 900 for this product (total including standard price).
- What is engineering's expected time investment and cost: 1 hour Man Days
\$ 100⁰⁰
- What is production's expected purchasing and production time requirement: Days
- This new product has potential in the following application and estimated potential per year would be per year.

-
- This product will be not be quoted and produced as previously outlined.
 - Agreed on this date of By production/purchasing
By engineering A. DONADO 8/7/06
 - Sales can now quote this project for \$ per unit. W.O.# 22077
 lead time.

 Add to standard product list in literature (Maxine)
 Add to price list (Vern)
cc/ Greg P, Paul V, Regional Sales Staff Globally

W.O.# 22298

Number :DN-HO#31180 - IRCON INFRARAIL IRT SO-LI: 91932*1

Level	Part Number	Description	Quantity	UM	Alt	MB X	ECO No.	ECO Date	Start Use	End Use
1	DN1DNE	DN PRICES	1.0000	EA		M P				
1	OK C11201-R713	SENSING HEAD FINAL ASSY	1.0000	EA		M P				
2	451323	FIELD STOP .044DIA	1.0000	EA		B	3709	05-17-1996		
2	C11201/01	SEE EXTENDED DESCRIPTION	0.0000	EA		M				
2	990300005	RETAINING RING 7/16 OD, .2	1.0000	EA		B	3709	05-17-1996		
2	431442	DET. LOCATOR MOD2	1.0000	EA		B	3709	05-17-1996		
2	C11209-R707	SH DETECTOR ASSEMBLY E HD	1.0000	EA		M P	3709	05-17-1996		
3	LR721-D	DET ASSY FOR SPL# R721	1.0000	EA		M P	3770	08-21-1996		
4	LR721-D/01	SEE EXTENDED DESCRIPTION	0.0000	EA		M P				
4	431432	DET. HOLDER MR20 SERIES	1.0000	EA		B				
4	640552	FILTER, BANDPASS	1.0000	EA		B				
4	590942	DETECTOR InGaAs 1.6u	1.0000	EA		B				
4	LR721-D/02	SEE EXTENDED DESCRIPTION	0.0000	EA		M P				
4	560372	CABLE PVC 1 COND SHIELD 2	3.0000	IN		B				
4	312430100	WIRE 24AWG BARE SOLID	1.0000	IN		B				
4	430292	CONN. GASKET 2000 SERIES	1.0000	EA		B				
4	575892	CONN. CIRC 3 RECPT 10SL-3	1.0000	EA		B				
4	490042	SPRING DETECTOR RETAINER	1.0000	EA		B				
4	630092	FOLDING MIRROR SH MROA SE	1.0000	EA		B				
4	490032	SPRING FOLDING MIRROR MOD	1.0000	EA		B				
4	200204130	SCREW #2-56 X 1/8 PH SLOT	1.0000	EA		B				
4	990100016	EPOXY HARDMAN #4001 3-5 M	1.0000	EA		B				
4	3214G00X0	TUBING #14 PVC CLEAR	1.0000	IN		B				
2	447352	SENSOR, E-HEAD	1.0000	EA		B	3709	05-17-1996		
2	610432	EYE LENS FOR A HEAD	1.0000	EA		B	3709	05-17-1996		
2	990100002	EPOXY HARDMAN #4005 GEN P	1.0000	EA		B	3709	05-17-1996		
2	447372	FIELD STOP, .312 DIA	1.0000	EA		B	3709	05-17-1996		
2	447382	FIELD STOP, .437 DIA	1.0000	EA		B	3709	05-17-1996		
2	610402	LENS PLANO CONVEX 30" F/L	1.0000	EA		B	3709	05-17-1996		
2	431752	O RING 13/16 X 1/16 TH 70	1.0000	EA		B	3709	05-17-1996		
2	447362	LENS RING E-HEAD SENSOR	1.0000	EA		B	3709	05-17-1996		
2	200412440	SCREW #4-40 X 3/8 FIL SLO	4.0000	EA		B	3709	05-17-1996		
2	220403200	WASHER #4 LOCK SPLIT RING	4.0000	EA		B	3709	05-17-1996		
2	454152	SCREW, ADJUSTMENT,	1.0000	EA		B	3709	05-17-1996		
2	433372	O RING 3/32 X 7/32 X 1/16	1.0000	EA		B	3709	05-17-1996		
2	220602200	WASHER #6 LOCK EXT TOOTH	1.0000	EA		B	3709	05-17-1996		
2	200606040	SCREW #6-32 X 3/16 PH SLO	1.0000	EA		B	3709	05-17-1996		
2	C11201/02	SEE EXTENDED DESCRIPTION	0.0000	EA		M				
2	443502	RETAINING NUT	1.0000	EA		B	3709	05-17-1996		
2	477142	LABEL, SERIAL NUMBER, SEN	1.0000	EA		B	3709	05-17-1996		
2	474772	LABEL GROUND WARNING	1.0000	EA		B	3709	05-17-1996		
2	T-C11201-1	DETERMINE IF CABLE IS REQ	0.0000	EA		B	3709	05-17-1996		
2	C11201/03	SEE EXTENDED DESCRIPTION	0.0000	EA		M				
2	999900013	CAP PLUG #SC-1-1/4	1.0000	EA		B	3709	05-17-1996		
2	990100028	SEALANT RTV SILICONE BLAC	1.0000	EA		B	3709	05-17-1996		
2	999900014	STEM BUMPER 3/8OD .275T	1.0000	EA		B	3709	05-17-1996		

R729 (Sensor Only)

W.O.# 22077

Number :DN#30800 - IRCON INFRARAIL IRT SO-LI: 91740*1

Level	Part Number	Description	Quantity	UM	Alt	MB X	ECO No.	ECO Date	Start Use	End Use
1	DN0DNE	DN PRICES	1.0000	EA		M P				
1	C11201-R713	SENSING HEAD FINAL ASSY	1.0000	EA		M P				
2	451323	FIELD STOP .044DIA	1.0000	EA		B	3709	05-17-1996		
2	C11201/01	SEE EXTENDED DESCRIPTION	0.0000	EA		M				
2	990300005	RETAINING RING 7/16 OD, .2	1.0000	EA		B	3709	05-17-1996		
2	431442	DET. LOCATOR MOD2	1.0000	EA		B	3709	05-17-1996		
2	C11209-R707	SH DETECTOR ASSEMBLY E HD	1.0000	EA		M P	3709	05-17-1996		
3	LR721-D	DET ASSY FOR SPL# R721	1.0000	EA		M P	3770	08-21-1996		
4	LR721-D/01	SEE EXTENDED DESCRIPTION	0.0000	EA		M P				
4	431432	DET. HOLDER MR20 SERIES	1.0000	EA		B				
4	640552	FILTER, BANDPASS	1.0000	EA		B				
4	590942	DETECTOR InGaAs 1.6u	1.0000	EA		B				
4	LR721-D/02	SEE EXTENDED DESCRIPTION	0.0000	EA		M P				
4	560372	CABLE PVC 1 COND SHIELD 2	3.0000	IN		B				
4	312430100	WIRE 24AWG BARE SOLID	1.0000	IN		B				
4	430292	CONN. GASKET 2000 SERIES	1.0000	EA		B				
4	575892	CONN. CIRC 3 RECPT 10SL-3	1.0000	EA		B				
4	490042	SPRING DETECTOR RETAINER	1.0000	EA		B				
4	630092	FOLDING MIRROR SH MROA SE	1.0000	EA		B				
4	490032	SPRING FOLDING MIRROR MOD	1.0000	EA		B				
4	200204130	SCREW #2-56 X 1/8 PH SLOT	1.0000	EA		B				
4	990100016	EPOXY HARDMAN #4001 3-5 M	1.0000	EA		B				
4	3214G00X0	TUBING #14 PVC CLEAR	1.0000	IN		B				
2	447352	SENSOR, E-HEAD	1.0000	EA		B	3709	05-17-1996		
2	610432	EYE LENS FOR A HEAD	1.0000	EA		B	3709	05-17-1996		
2	990100002	EPOXY HARDMAN #4005 GEN P	1.0000	EA		B	3709	05-17-1996		
2	447372	FIELD STOP, .312 DIA	1.0000	EA		B	3709	05-17-1996		
2	447382	FIELD STOP, .437 DIA	1.0000	EA		B	3709	05-17-1996		
2	610402	LENS PLANO CONVEX 30" F/L	1.0000	EA		B	3709	05-17-1996		
2	431752	O RING 13/16 X 1/16 TH 70	1.0000	EA		B	3709	05-17-1996		
2	447362	LENS RING E-HEAD SENSOR	1.0000	EA		B	3709	05-17-1996		
2	200412440	SCREW #4-40 X 3/8 FIL SLO	4.0000	EA		B	3709	05-17-1996		
2	220403200	WASHER #4 LOCK SPLIT RING	4.0000	EA		B	3709	05-17-1996		
2	454152	SCREW, ADJUSTMENT,	1.0000	EA		B	3709	05-17-1996		
2	433372	O RING 3/32 X 7/32 X 1/16	1.0000	EA		B	3709	05-17-1996		
2	220602200	WASHER #6 LOCK EXT TOOTH	1.0000	EA		B	3709	05-17-1996		
2	200606040	SCREW #6-32 X 3/16 PH SLO	1.0000	EA		B	3709	05-17-1996		
2	C11201/02	SEE EXTENDED DESCRIPTION	0.0000	EA		M				
2	443502	RETAINING NUT	1.0000	EA		B	3709	05-17-1996		
2	477142	LABEL, SERIAL NUMBER, SEN	1.0000	EA		B	3709	05-17-1996		
2	474772	LABEL GROUND WARNING	1.0000	EA		B	3709	05-17-1996		
2	T-C11201-1	DETERMINE IF CABLE IS REQ	0.0000	EA		B	3709	05-17-1996		
2	C11201/03	SEE EXTENDED DESCRIPTION	0.0000	EA		M				
2	999900013	CAP PLUG #SC-1-1/4	1.0000	EA		B	3709	05-17-1996		
2	990100028	SEALANT RTV SILICONE BLAC	1.0000	EA		B	3709	05-17-1996		
2	999900014	STEM BUMPER 3/8OD .275T	1.0000	EA		B	3709	05-17-1996		
1	D11198	PVC-(INT/EXT-E/F SERIES) (1.0000	EA		M P				
2	560052	CABLE PVC 2 COND 1100/200	1.0000	FT		B	3913	04-02-1997		
2	D11198/01	SEE EXTENDED DESCRIPTION	0.0000	EA		M				
2	D11198/02	SEE EXTENDED DESCRIPTION	0.0000	EA		M				
2	D11198/03	SEE EXTENDED DESCRIPTION	8.0000	EA		M				
2	575882	CONN. CIRC 10SL-3 BACKSHE	1.0000	EA		B	3913	04-02-1997		
2	3210G00X0	TUBING #10 PVC CLEAR	3.0000	IN		B	3913	04-02-1997		
2	3212G00X0	TUBING #12 PVC CLEAR	1.0000	IN		B	3913	04-02-1997		
2	575902	CONN. CIRC 10SL-3 STR PLU	1.0000	EA		B	3913	04-02-1997		
2	321611400	TUBING 1/4" SHRINKABLE BL	1.0000	IN		B	3913	04-02-1997		
2	990100027	ADHESIVE LOCTITE 272	1.0000	EA		B	3913	04-02-1997		
2	C-CABLE	DETERMINE CABLE LENGTH FR	1.0000	EA		M P	3913	04-02-1997		
2	477202	LABEL INFRARAIL (2.0" X 0	1.0000	EA		B	3913	04-02-1997		
1	U-D11198-C	12 FEET OF CABLE	1.0000	EA		M P				
2	560052	CABLE PVC 2 COND 1100/200	12.0000	FT		B				
1	U-M1-R729	MODULE ASSY M1-INFRARAIL	1.0000	EA		M P				
2	102103011	RES. 210K OHM MF 1/4W 1%	1.0000	EA		B				
2	101872011	RES. 18.7K OHM MF 1/4W 1%	1.0000	EA		B				
2	101243011	RES. 124K OHM MF 1/4W 1%	1.0000	EA		B				
2	101502011	RES. 15.0K OHM MF 1/4W 1%	1.0000	EA		B				
2	105902011	RES. 59.0K OHM MF 1/4W 1%	1.0000	EA		B				
2	101002011	RES. 10.0K OHM MF 1/4W 1%	1.0000	EA		B				

R 729

Number :DN#30800 - IRCON INFRARAIL IRT SO-LI: 91740*1

Level	Part Number	Description	Quantity	UM	Alt	MB X	ECO No.	ECO Date	Start Use	End Use
2	109532011	RES. 95.3K OHM MF 1/4W 1%	1.0000	EA		B				
2	106341011	RES. 6.34K OHM MF 1/4W 1%	1.0000	EA		B				
2	101583011	RES. 158K OHM MF 1/4W 1%	1.0000	EA		B				
2	103831011	RES. 3.83K OHM MF 1/4W 1%	1.0000	EA		B				
2	102743011	RES. 274K OHM MF 1/4W 1%	1.0000	EA		B				
2	102151011	RES. 2.15K OHM MF 1/4W 1%	1.0000	EA		B				
2	104873011	RES. 487K OHM MF 1/4W 1%	1.0000	EA		B				
2	101211011	RES. 1.21K OHM MF 1/4W 1%	1.0000	EA		B				
2	109093011	RES. 909K OHM MF 1/4W 1%	1.0000	EA		B				
2	106340011	RES. 634 OHM MF 1/4W 1%	1.0000	EA		B				
2	101744011	RES. 1.74M OHM MF 1/4W 1%	1.0000	EA		B				
2	103320011	RES. 332 OHM MF 1/4W 1%	1.0000	EA		B				
2	102870011	RES. 287 OHM MF 1/4W 1%	1.0000	EA		B				
2	103574011	RES. 3.57M OHM MF 1/4W 1%	1.0000	EA		B				
1	D11191	INFRARAIL BOX ASSEMBLY	1.0000	EA		M P				
2	433332	ENCLOSURE, DIN BOX, MODIF	1.0000	EA		B	3671	04-08-1996		
2	C11187	POWER SUPPLY/ PEAK-PICKER	1.0000	EA		M P	3671	04-08-1996		
3	C20212	SCHEMATIC: POWER SUPPLY/	1.0000	EA		M P	4202	01-14-1999		
3	LDN200	PWR SUPPLY/ PP PCB ASSY	1.0000	EA		M P	4202	01-14-1999		
4	502505	PCB DIN RAIL POWER PEAK-P	1.0000	EA		B	3769	08-05-1996		
4	LDN200/01	SEE EXTENDED DESCRIPTION	0.0000	EA		M P				
4	533082	TRAN. MJE800 NPN - DARLIN	1.0000	EA		B	3769	08-05-1996		
4	LDN200/02	SEE EXTENDED DESCRIPTION	0.0000	EA		M P				
4	LDN200/03	SEE EXTENDED DESCRIPTION	0.0000	EA		M P				
4	530882	DIODE 1N4002 GP RECTIFIER	1.0000	EA		B	3769	08-05-1996		
4	532952	OP-AMP ULTRA LOW BIAS	2.0000	EA		B	3769	08-05-1996		
4	532322	IC 4053B ANALOG MUX/DEMUX	1.0000	EA		B	4842	07-31-2002		
4	531862	OP-AMP LM346N PROGRAM QUA	1.0000	EA		B	3769	08-05-1996		
4	102493011	RES. 249K OHM MF 1/4W 1%	1.0000	EA		B	3769	08-05-1996		
4	103321011	RES. 3.32K OHM MF 1/4W 1%	1.0000	EA		B	3769	08-05-1996		
4	101820011	RES. 182 OHM MF 1/4W 1%	1.0000	EA		B	3769	08-05-1996		
4	104421011	RES. 4.42K OHM MF 1/4W 1%	1.0000	EA		B	3769	08-05-1996		
4	106654011	RES. 6.65M OHM MF 1/4W 1%	1.0000	EA		B	3769	08-05-1996		
4	104993011	RES. 499K OHM MF 1/4W 1%	1.0000	EA		B	3769	08-05-1996		
4	104021011	RES. 4.02K OHM MF 1/4W 1%	1.0000	EA		B	3769	08-05-1996		
4	105364011	RES. 5.36M OHM MF 1/4W 1%	2.0000	EA		B	3769	08-05-1996		
4	103480011	RES. 348 OHM MF 1/4W 1%	1.0000	EA		B	3769	08-05-1996		
4	100000990	JUMPER DUMMY RESISTOR	5.0000	EA		B	3769	08-05-1996		
4	101000011	RES. 100 OHM MF 1/4W 1%	1.0000	EA		B	3769	08-05-1996		
4	101003011	RES. 100K OHM MF 1/4W 1%	1.0000	EA		B	3769	08-05-1996		
4	101004011	RES. 1.00M OHM MF 1/4W 1%	4.0000	EA		B	3769	08-05-1996		
4	102003011	RES. 200K OHM MF 1/4W 1%	2.0000	EA		B	3769	08-05-1996		
4	104991011	RES. 4.99K OHM MF 1/4W 1%	1.0000	EA		B	3769	08-05-1996		
4	101503011	RES. 150K OHM MF 1/4W 1%	1.0000	EA		B				
4	530572	DIODE 1N4446 SWITCHING	2.0000	EA		B	4906	05-19-2003		
4	530532	DIODE FD300 GENERAL PURPO	1.0000	EA		B	3769	08-05-1996		
4	521852	CAP. 0.68 MFD 50V CERAMIC	1.0000	EA		B	3769	08-05-1996		
4	521972	CAP. .047 MFD 50V CER X7	1.0000	EA		B	3769	08-05-1996		
4	521072	CAP. 22MFD 16V TANT 10%	2.0000	EA		B	3769	08-05-1996		
4	551122	CHOKE 9250-122 1.2 UH, .1	2.0000	EA		B	3769	08-05-1996		
4	521902	CAP. NPO 1000pf 200V .2LS	1.0000	EA		B	3769	08-05-1996		
4	521862	CAP. 3.3 MFD 50V CERAMC X	1.0000	EA		B	3769	08-05-1996		
4	521872	CAP. 1.0 MFD 50V CERAMIC	5.0000	EA		B	3769	08-05-1996		
4	522002	CAP. .01 MFD 200V CERAMIC	6.0000	EA		B	3769	08-05-1996		
4	531892	REG. LM317LZ +1.2/37V ADJ	1.0000	EA		B	3769	08-05-1996		
4	431902	BIVAR PERMO PAD 0.250 DIA	1.0000	EA		B	3769	08-05-1996		
4	530862	TRAN. 2N2222A NPN MED POW	1.0000	EA		B	3769	08-05-1996		
4	551152	INDUCTOR 100UH +/-10% IMS	2.0000	EA		B	3769	08-05-1996		
4	531882	DIODE LM385BZ-2.5 2.5V RE	6.0000	EA		B	3769	08-05-1996		
4	575602	CONN. HDR AMP STRAIGHT 5	1.0000	EA		B	3769	08-05-1996		
4	574592	CONN. HDR AMP STRAIGHT 4	1.0000	EA		B	3769	08-05-1996		
4	LDN200/04	SEE EXTENDED DESCRIPTION	0.0000	EA		M P				
4	572732	HEADER SNGL 36 PIN .1 CNT	11.0000	EA		B	3769	08-05-1996		
4	LDN200/05	SEE EXTENDED DESCRIPTION	0.0000	EA		M P				
2	C11186	PREAMP/ LINEARIZER PCB AS	1.0000	EA		M P	3671	04-08-1996		
3	C20211	SCHEMATIC: PREAMP/ LINEAR	1.0000	EA		M P	4785	03-05-2002		
3	LDN100	PREAMP/ LIN PCB ASSY INFR	1.0000	EA		M P	3659	04-12-1996		
4	502493	PCB DIN RAIL LINEARIZER	1.0000	EA		B	3767	08-07-1996		

Number :DN#30800 - IRCON INFRARAIL IRT SO-LI: 91740*1

Level	Part Number	Description	Quantity	UM	Alt	MB X	ECO No.	ECO Date	Start Use	End Use
4	LDN100/01	SEE EXTENDED DESCRIPTION	0.0000	EA		M P				
4	LDN100/02	SEE EXTENDED DESCRIPTION	0.0000	EA		M P				
4	532982	OP-AMP AD548CQ LOW PWR	1.0000	EA		B	3767	08-07-1996		
4	531862	OP-AMP LM346N PROGRAM QUA	3.0000	EA		B	3767	08-07-1996		
4	530532	DIODE FD300 GENERAL PURPO	16.0000	EA		B	3767	08-07-1996		
4	514632	RES. 330K NETWORK 10 PIN	2.0000	EA		B	3767	08-07-1996		
4	514642	RES. 330K NETWORK 10 PIN	2.0000	EA		B	3767	08-07-1996		
4	104533011	RES. 453K OHM MF 1/4W 1%	1.0000	EA		B	3767	08-07-1996		
4	1010R0011	RES. 10.0 OHM MF 1/4W 1%	1.0000	EA		B	3767	08-07-1996		
4	102743011	RES. 274K OHM MF 1/4W 1%	1.0000	EA		B	3767	08-07-1996		
4	102103011	RES. 210K OHM MF 1/4W 1%	1.0000	EA		B	3767	08-07-1996		
4	105364011	RES. 5.36M OHM MF 1/4W 1%	6.0000	EA		B	3767	08-07-1996		
4	101002011	RES. 10.0K OHM MF 1/4W 1%	1.0000	EA		B	3767	08-07-1996		
4	101003011	RES. 100K OHM MF 1/4W 1%	1.0000	EA		B	3767	08-07-1996		
4	102003011	RES. 200K OHM MF 1/4W 1%	2.0000	EA		B	3767	08-07-1996		
4	101000011	RES. 100 OHM MF 1/4W 1%	2.0000	EA		B	3767	08-07-1996		
4	100000990	JUMPER DUMMY RESISTOR	1.0000	EA		B	3767	08-07-1996		
4	551122	CHOKE 9250-122 1.2 UH, .1	1.0000	EA		B	3767	08-07-1996		
4	540412	FERRITE BEAD ON LEAD AXIA	3.0000	EA		B	3767	08-07-1996		
4	522002	CAP. .01 MFD 200V CERAMIC	7.0000	EA		B	3767	08-07-1996		
4	521902	CAP. NPO 1000pf 200V .2LS	2.0000	EA		B	3767	08-07-1996		
4	521932	CAP. 100 PF COG 200V	1.0000	EA		B	3767	08-07-1996		
4	521962	CAP. 10Pf NPO 200V .2LS	2.0000	EA		B	3767	08-07-1996		
4	514612	POT. 50K 25T 1/2W 10%	1.0000	EA		B	3767	08-07-1996		
4	514242	POT. 25K OHM 25T 1/2W 10%	1.0000	EA		B	3767	08-07-1996		
4	514622	POT. 100K 25T 1/2W 10%	1.0000	EA		B	3767	08-07-1996		
4	574922	CONN. HDR AMP STRAIGHT 3	1.0000	EA		B	3767	08-07-1996		
4	LDN100/03	SEE EXTENDED DESCRIPTION	0.0000	EA		M P				
4	574432	SOCKET 40 POS DIP .5HT EL	1.0000	EA		B	3767	08-07-1996		
4	LDN100/04	SEE EXTENDED DESCRIPTION	0.0000	EA		M P				
4	526002	CAP. SMC 330Pf NPO 50V 5%	1.0000	EA		B	3767	08-07-1996		
4	572732	HEADER SNGL 36 PIN .1 CNT	11.0000	EA		B	3767	08-07-1996		
4	LDN100/05	SEE EXTENDED DESCRIPTION	0.0000	EA		M P				
2	C11193	PCB INTERCONNECT ASSEMBLY	1.0000	EA		M P	3671	04-08-1996		
3	LDN300	PCB INTERCONN ASSY (INFRA	1.0000	EA		M P				
4	502533	PCB DIN RAIL POWER PEAK-P	1.0000	EA		B	3721	08-01-1996		
4	575922	CONN. FEMALE 11 POSITION	2.0000	EA		B	3721	08-01-1996		
2	477112	LABEL, COVER, DIN BOX	1.0000	EA		B	4909	06-11-2003		
2	C11190	DECAY RATE POT/ CONNECTOR	1.0000	EA		M P	3671	04-08-1996		
3	LDN003	DECAY RATE POT/ CONN. ASS	1.0000	EA		M P	4030	10-08-1997		
4	514592	POT. 50K OHM 1T 1/2W 10%	1.0000	EA		B				
4	LDN003/01	SEE EXTENDED DESCRIPTION	0.0000	EA		M P				
4	302479000	WIRE 24AWG VIO/WHITE STRA	1.0000	IN		B				
4	302409000	WIRE 24AWG BLK/WHITE STRA	1.0000	IN		B				
4	302459000	WIRE 24AWG GRN/WHITE STRA	1.0000	IN		B				
4	574662	CONN. CONTACT 20-24 AWG C	3.0000	EA		B				
4	574692	CONN. HOUSING 5 POSITION-	1.0000	EA		B				
2	C11189	RESPONSE TIME POT/ CONNEC	1.0000	EA		M P	3671	04-08-1996		
3	LDN002	RESP. TIME POT/ CONN. ASS	1.0000	EA		M P				
4	514602	POT. 5M OHM 1T 1/2W 20% P	1.0000	EA		B				
4	302440000	WIRE 24AWG YEL/BLACK STRA	1.0000	IN		B				
4	302460000	WIRE 24AWG BLU/BLACK STRA	1.0000	IN		B				
4	302430000	WIRE 24AWG ORG/BLACK STRA	1.0000	IN		B				
4	574662	CONN. CONTACT 20-24 AWG C	3.0000	EA		B				
4	574682	CONN. HOUSING 4 POSITION-	1.0000	EA		B				
2	C11188	EMISSIVITY POT/ CONNECTOR	1.0000	EA		M P	3671	04-08-1996		
3	LDN001	EMISSIVITY POT/ CONN. ASS	1.0000	EA		M P	3767	08-07-1996		
4	513722	POT. 100K 2 DIGIT 1% DIGI	1.0000	EA		B	3767	08-07-1996		
4	30245X000	WIRE 24AWG GREEN STRANDED	1.0000	IN		B	3767	08-07-1996		
4	30249X000	WIRE 24AWG WHITE STRANDED	1.0000	IN		B	3767	08-07-1996		
4	30246X000	WIRE 24AWG BLUE STRANDED	1.0000	IN		B	3767	08-07-1996		
4	574662	CONN. CONTACT 20-24 AWG C	3.0000	EA		B	3767	08-07-1996		
4	574672	CONN. HOUSING 3 POSITION-	1.0000	EA		B	3767	08-07-1996		
4	477212	LABEL - CLEAR WINDOW	1.0000	EA		B	3767	08-07-1996		
2	575852	KNOB, 9MM COLLET TYPE,	2.0000	EA		B	3671	04-08-1996		
2	575872	POINTER, 9MM COLLET TYPE	2.0000	EA		B	3671	04-08-1996		
2	575862	CAP. 9MM COLLET TYPE KNOB	2.0000	EA		B	3671	04-08-1996		
2	C11194	MODULE ASSEMBLY - M1 - (I	1.0000	EA		M P	3671	04-08-1996		

Number :DN#30800 - IRCON INFRARAIL IRT SO-LI: 91740*1

Level	Part Number	Description	Quantity	UM	Alt.	MB	X	ECO No.	ECO Date	Start Use	End Use
3	573912	HEADER 40 PIN DIP .6 CENT	1.0000	EA			B				
3	T-C11194-1	SELECT "M1" MODULE VALUES	0.0000	EA			B				
3	T-C11194-3	GT M1 MODULE VALUES	0.0000	EA			B				
2	575912	CONN. KEYING ELEMENT (DN-	2.0000	EA			B	3671	04-08-1996		
2	477132	LABEL, SERIAL NUMBER, DIN	1.0000	EA			B	3671	04-08-1996		
2	477122	LABEL, DIN BOX, INFRARAIL	1.0000	EA			B	3671	04-08-1996		
2	574082	TERM. BLOCK JUMPER QUICK	1.0000	EA			B	3671	04-08-1996		
2	LDNKIT	MTG CLIP KIT FOR INFRARAI	1.0000	EA			M	P 3671	04-08-1996		
3	990300010	CLIP MTG FOR DIN BOX	2.0000	EA			B	3694	04-17-1996		
3	LDNKIT/01	SEE EXTENDED DESCRIPTION	0.0000	EA			M	P			
2	477182	LABEL-CE MARK (PRODUCTS)	1.0000	EA			B	3671	04-08-1996		



IRCON, INC T 847-967-5151
 7300 North Natchez Ave T 800-323-7660
 Niles, Illinois 60714 USA F 847-647-0948

Acknowledgment

ORDER DATE: 05 SEP 2006

REV: DATE:

Customer No. 100426
SOLD TO

IRCON B.V.
 DATABANKWEG 6 C
 3821 AL AMERSFOORT
 THE NETHERLANDS

SHIP TO

OTTO JUNKER GMBH
 JAGERHAUSSTRASSE 22
 SIMMERATH, 52152
 GERMANY

SPECIAL SHIPPING INSTRUCTIONS

OUR ORDER No.		YOUR PO No.		F.O.B.		TAX	
91932		1558		ORIGIN		Resale	
SHIP VIA		TERMS		DATE REQUESTED		SALES REPRESENTATIVE	
UPS SCS		0.00/0/180		09-22-06		1001 (100.00)	
LI	PART NO.	PRODUCT/DESCRIPTION	QTY	UNIT PRICE	DISC	NET PRICE	EXTENSION
1	DN-HO#31180 <i>W.O.# 22298</i>	DN_DNE21-13C <i>DNE99-99C</i> IRCON INFRARAIL IRT SENSING HEAD ONLY Consists of the following: 1.0000 - INFRARAIL HEAD ONLY 1.0000 - DN - E SERIES 1.0000 - D/100 RESOLUTION (E) 1.0000 - 800-1300C	1	342.90	0.0	342.90	342.90
2	MOD-CHARGES	MODIFICATION OF PRODUCT	1	77.93	0.0	77.93	77.93
THIS ORDER IS ACCEPTED SUBJECT TO TERMS AND CONDITIONS SHOWN ON THIS AND THE REVERSE SIDE				GRAND TOTAL		ECU420.83	

Redo Spz No R729
Temp range 450-1050C
D/50 resolution
cable Break alarm
9/5

SHIP TO: IRCON, INC.
 7300 N. NATCHEZ AVE.
 NILES, IL 60714 USA

IF TAX EXEMPT, PLEASE PROVIDE COPY OF
 EXEMPTION OR DIRECT PAYMENT CERTIFICATE



IRCON, INC.
7300 North Natchez Avenue
Niles, Illinois 60714 USA

Telephone 847-967-5151
Toll Free 800-323-7660
Fax 847-647-0948

ISO 9001/OS 9000 TE
Quality Systems Certified

Modified Standard Product
Data Form

A modified standard product is a product that is based on a standard product found in the most recent price list. The modifications maybe items such as; temperature ranges, output types, resolution, response time and optical issues. A modified standard product form is to be completed and submitted to Steve Schumm and Gene Kalley for review and approval based on the modification (which we have done before). If the modification has not been done before, the approval will require the entire senior management team's approval BEFORE QUOTING. A modified standard product if approved; this product will become a price listed standard product. We can then pay commission as outlined in our most recent contract.

- Standard Product is a Model Number: PNE31-13C
- Standard Product List Price: \$ 430
- The product change requested would be: Redo R729, 450-1030C
0/50 cable bk alarm Sales will attach specifics to this form.
- The market is willing to pay: 530 for this product (total including standard price).
- What is engineering's expected time investment and cost: 1 hour Man Days
\$ 10000
- What is production's expected purchasing and production time requirement: Days
- This new product has potential in the following application and estimated potential per year would be per year.

- This product will be not be quoted and produced as previously outlined.
- Agreed on this date of By production/purchasing
By engineering A DONADO 9/8/06
- Sales can now quote this project for \$ per unit. W.O.# 22298
 lead time.

 Add to standard product list in literature (Maxine)
 Add to price list (Vern)
cc/ Greg P, Paul V, Regional Sales Staff Globally



IRCON, INC T 847-967-5151
 7300 North Natchez Ave T 800-323-7660
 Niles, Illinois 60714 USA F 847-647-0948

Acknowledgment

ORDER DATE: 28 SEP 2006
 REV: DATE:

Customer No. 002605
 SOLD TO

SHIP TO
 TANJORE CORPORATION
 8020 SAN LORENZO DRIVE
 LAREDO, TX 78045

TANJORE CORPORATION
 ATTN: ACCOUNTS PAYABLE
 12110 DOC ADAMS
 LAREDO, TX 78045

SPECIAL SHIPPING INSTRUCTIONS
 ACCT NO. 767-091

OUR ORDER No.		YOUR PO No.		F.O.B.			TAX
92115		TI-542078		ORIGIN			Resale
SHIP VIA		TERMS		DATE REQUESTED	SALES REPRESENTATIVE		
UPS BLUE COLLECT		0.00/0/30		10-19-06	1037 (100.00)		
LI	PART NO.	PRODUCT/DESCRIPTION	QTY	UNIT PRICE	DISC	NET PRICE	EXTENSION
1	JAVS079C	JAVELIN MODEL JAVS079C 7.5-8.5um, 50 TO 600C, S.F.	2	1075.00	0.0	1075.00	2150.00
2	DN#31511 <i>W.O.# 22507</i>	DN_DNE31-13C <i>DNE99-99C</i> IRCON INFRARAIL IRT SYSTEM-COMPLETE Consists of the following: 1.0000 - INFRARAIL 1.0000 - DN - E SERIES 1.0000 - Std Cbl Lgth 12ft 1.0000 - D/100 RESOLUTION (E) 1.0000 - 800-1300C	2	2365.00	0.0	2365.00	4730.00
<p><i>Prod Spec No R 729</i> <i>Temp range 450-1050C</i> <i>0/50 resolution</i> <i>with cable Break alarm</i></p> <p><i>PMB</i> <i>9/28</i></p>							
THIS ORDER IS ACCEPTED SUBJECT TO TERMS AND CONDITIONS SHOWN ON THIS AND THE REVERSE SIDE					GRAND TOTAL		USD6,880.00

SHIP TO: IRCON, INC.
 7300 N. NATCHEZ AVE.
 NILES, IL 60714 USA

IF TAX EXEMPT, PLEASE PROVIDE COPY OF
 EXEMPTION OR DIRECT PAYMENT CERTIFICATE



IRCON, INC.
7300 North Natchez Avenue
Niles, Illinois 60714 USA

Telephone 847-967-5151
Toll Free 800-323-7660
Fax 847-647-0948

ISO 9001/OS 9000 TE
Quality Systems Certified

Modified Standard Product Data Form

A modified standard product is a product that is based on a standard product found in the most recent price list. The modifications maybe items such as; temperature ranges, output types, resolution, response time and optical issues. A modified standard product form is to be completed and submitted to Steve Schumm and Gene Kalley for review and approval based on the modification (which we have done before). If the modification has not been done before, the approval will require the entire senior management team's approval BEFORE QUOTING. A modified standard product if approved; this product will become a price listed standard product. We can then pay commission as outlined in our most recent contract.

- Standard Product is a Model Number: DNE31-13C
- Standard Product List Price: ~~1945~~
- The product change requested would be: Redo R 729
450-10504, D/S, Cable, Alarm Safety will attach specifics to this form.
- The market is willing to pay: 2245 for this product (total including standard price).
- What is engineering's expected time investment and cost: 1 HOUR Man Days
\$ 10000
- What is production's expected purchasing and production time requirement: Days
- This new product has potential in the following application and estimated potential per year would be per year.

➤ This product will be not be quoted and produced as previously outlined.

➤ Agreed on this date of By production/purchasing
By engineering A. DONADO 10/5/06

➤ Sales can now quote this project for \$ per unit. W.O.# 22507
 lead time.

Add to standard product list in literature (Maxine)
 Add to price list (Vern)
cc/ Greg P, Paul V, Regional Sales Staff Globally

W.O.# 22507

Number :DN#31511 - IRCON INFRARAIL IRT SO-LI: 92115*2

Level	Part Number	Description	Quantity	UM	Alt	MB X	ECO No.	ECO Date	Start Use	End Use
	DN0DNE	DN PRICES	1.0000	EA		M P				
1	C11201-R713	SENSING HEAD FINAL ASSY	1.0000	EA		M P				
2	451323	FIELD STOP .044DIA	1.0000	EA		B	3709	05-17-1996		
2	C11201/01	SEE EXTENDED DESCRIPTION	0.0000	EA		M				
2	990300005	RETAINING RING 7/16 OD, .2	1.0000	EA		B	3709	05-17-1996		
2	431442	DET. LOCATOR MOD2	1.0000	EA		B	3709	05-17-1996		
2	C11209-R707	SH DETECTOR ASSEMBLY E HD	1.0000	EA		M P	3709	05-17-1996		
3	LR721-D	DET ASSY FOR SPL# R721	1.0000	EA		M P	3770	08-21-1996		
4	LR721-D/01	SEE EXTENDED DESCRIPTION	0.0000	EA		M P				
4	431432	DET. HOLDER MR20 SERIES	1.0000	EA		B				
4	640552	FILTER, BANDPASS	1.0000	EA		B				
4	590942	DETECTOR InGaAs 1.6u	1.0000	EA		B				
4	LR721-D/02	SEE EXTENDED DESCRIPTION	0.0000	EA		M P				
4	560372	CABLE PVC 1 COND SHIELD 2	3.0000	IN		B				
4	312430100	WIRE 24AWG BARE SOLID	1.0000	IN		B				
4	430292	CONN. GASKET 2000 SERIES	1.0000	EA		B				
4	575892	CONN. CIRC 3 RECPT 10SL-3	1.0000	EA		B				
4	490042	SPRING DETECTOR RETAINER	1.0000	EA		B				
4	630092	FOLDING MIRROR SH MROA SE	1.0000	EA		B				
4	490032	SPRING FOLDING MIRROR MOD	1.0000	EA		B				
4	200204130	SCREW #2-56 X 1/8 PH SLOT	1.0000	EA		B				
4	990100016	EPOXY HARDMAN #4001 3-5 M	1.0000	EA		B				
4	3214G00X0	TUBING #14 PVC CLEAR	1.0000	IN		B				
2	447352	SENSOR, E-HEAD	1.0000	EA		B	3709	05-17-1996		
2	610432	EYE LENS FOR A HEAD	1.0000	EA		B	3709	05-17-1996		
2	990100002	EPOXY HARDMAN #4005 GEN P	1.0000	EA		B	3709	05-17-1996		
2	447372	FIELD STOP, .312 DIA	1.0000	EA		B	3709	05-17-1996		
2	447382	FIELD STOP, .437 DIA	1.0000	EA		B	3709	05-17-1996		
2	610402	LENS PLANO CONVEX 30" F/L	1.0000	EA		B	3709	05-17-1996		
2	431752	O RING 13/16 X 1/16 TH 70	1.0000	EA		B	3709	05-17-1996		
2	447362	LENS RING E-HEAD SENSOR	1.0000	EA		B	3709	05-17-1996		
2	200412440	SCREW #4-40 X 3/8 FIL SLO	4.0000	EA		B	3709	05-17-1996		
2	220403200	WASHER #4 LOCK SPLIT RING	4.0000	EA		B	3709	05-17-1996		
2	454152	SCREW, ADJUSTMENT,	1.0000	EA		B	3709	05-17-1996		
2	433372	O RING 3/32 X 7/32 X 1/16	1.0000	EA		B	3709	05-17-1996		
2	220602200	WASHER #6 LOCK EXT TOOTH	1.0000	EA		B	3709	05-17-1996		
2	200606040	SCREW #6-32 X 3/16 PH SLO	1.0000	EA		B	3709	05-17-1996		
2	C11201/02	SEE EXTENDED DESCRIPTION	0.0000	EA		M				
2	443502	RETAINING NUT	1.0000	EA		B	3709	05-17-1996		
2	477142	LABEL, SERIAL NUMBER, SEN	1.0000	EA		B	3709	05-17-1996		
2	474772	LABEL GROUND WARNING	1.0000	EA		B	3709	05-17-1996		
2	T-C11201-1	DETERMINE IF CABLE IS REQ	0.0000	EA		B	3709	05-17-1996		
2	C11201/03	SEE EXTENDED DESCRIPTION	0.0000	EA		M				
2	999900013	CAP PLUG #SC-1-1/4	1.0000	EA		B	3709	05-17-1996		
2	990100028	SEALANT RTV SILICONE BLAC	1.0000	EA		B	3709	05-17-1996		
2	999900014	STEM BUMPER 3/8OD .275T	1.0000	EA		B	3709	05-17-1996		
1	D11198	PVC-(INT/EXT-E/F SERIES)(1.0000	EA		M P				
2	560052	CABLE PVC 2 COND 1100/200	1.0000	FT		B	3913	04-02-1997		
2	D11198/01	SEE EXTENDED DESCRIPTION	0.0000	EA		M				
2	D11198/02	SEE EXTENDED DESCRIPTION	0.0000	EA		M				
2	D11198/03	SEE EXTENDED DESCRIPTION	8.0000	EA		M				
2	575882	CONN. CIRC 10SL-3 BACKSHE	1.0000	EA		B	3913	04-02-1997		
2	3210G00X0	TUBING #10 PVC CLEAR	3.0000	IN		B	3913	04-02-1997		
2	3212G00X0	TUBING #12 PVC CLEAR	1.0000	IN		B	3913	04-02-1997		
2	575902	CONN. CIRC 10SL-3 STR PLU	1.0000	EA		B	3913	04-02-1997		
2	3216I1400	TUBING 1/4" SHRINKABLE BL	1.0000	IN		B	3913	04-02-1997		
2	990100027	ADHESIVE LOCTITE 272	1.0000	EA		B	3913	04-02-1997		
2	C-CABLE	DETERMINE CABLE LENGTH FR	1.0000	EA		M P	3913	04-02-1997		
2	477202	LABEL INFRARAIL (2.0" X 0	1.0000	EA		B	3913	04-02-1997		
1	U-D11198-C	12 FEET OF CABLE	1.0000	EA		M P				
2	560052	CABLE PVC 2 COND 1100/200	12.0000	FT		B				
1	U-M1-R729	MODULE ASSY M1-INFRARAIL	1.0000	EA		M P				
2	102103011	RES. 210K OHM MF 1/4W 1%	1.0000	EA		B				
2	101872011	RES. 18.7K OHM MF 1/4W 1%	1.0000	EA		B				
2	101243011	RES. 124K OHM MF 1/4W 1%	1.0000	EA		B				
2	101502011	RES. 15.0K OHM MF 1/4W 1%	1.0000	EA		B				
2	105902011	RES. 59.0K OHM MF 1/4W 1%	1.0000	EA		B				
2	101002011	RES. 10.0K OHM MF 1/4W 1%	1.0000	EA		B				

R729

Number :DN#31511 - IRCON INFRARAIL IRT SO-LI: 92115*2

Level	Part Number	Description	Quantity	UM	Alt	MB X	ECO No.	ECO Date	Start Use	End Use
2	109532011	RES. 95.3K OHM MF 1/4W 1%	1.0000	EA		B				
2	106341011	RES. 6.34K OHM MF 1/4W 1%	1.0000	EA		B				
2	101583011	RES. 158K OHM MF 1/4W 1%	1.0000	EA		B				
2	103831011	RES. 3.83K OHM MF 1/4W 1%	1.0000	EA		B				
2	102743011	RES. 274K OHM MF 1/4W 1%	1.0000	EA		B				
2	102151011	RES. 2.15K OHM MF 1/4W 1%	1.0000	EA		B				
2	104873011	RES. 487K OHM MF 1/4W 1%	1.0000	EA		B				
2	101211011	RES. 1.21K OHM MF 1/4W 1%	1.0000	EA		B				
2	109093011	RES. 909K OHM MF 1/4W 1%	1.0000	EA		B				
2	106340011	RES. 634 OHM MF 1/4W 1%	1.0000	EA		B				
2	101744011	RES. 1.74M OHM MF 1/4W 1%	1.0000	EA		B				
2	103320011	RES. 332 OHM MF 1/4W 1%	1.0000	EA		B				
2	102870011	RES. 287 OHM MF 1/4W 1%	1.0000	EA		B				
2	103574011	RES. 3.57M OHM MF 1/4W 1%	1.0000	EA		B				
1	D11191	INFRARAIL BOX ASSEMBLY	1.0000	EA		M P				
2	433332	ENCLOSURE, DIN BOX, MODIF	1.0000	EA		B	3671	04-08-1996		
2	C11187	POWER SUPPLY/ PEAK-PICKER	1.0000	EA		M P	3671	04-08-1996		
3	C20212	SCHEMATIC: POWER SUPPLY/	1.0000	EA		M P	4202	01-14-1999		
3	LDN200	PWR SUPPLY/ PP PCB ASSY	1.0000	EA		M P	4202	01-14-1999		
4	502505	PCB DIN RAIL POWER PEAK-P	1.0000	EA		B	3769	08-05-1996		
4	LDN200/01	SEE EXTENDED DESCRIPTION	0.0000	EA		M P				
4	533082	TRAN. MJE800 NPN - DARLIN	1.0000	EA		B	3769	08-05-1996		
4	LDN200/02	SEE EXTENDED DESCRIPTION	0.0000	EA		M P				
4	LDN200/03	SEE EXTENDED DESCRIPTION	0.0000	EA		M P				
4	530882	DIODE 1N4002 GP RECTIFIER	1.0000	EA		B	3769	08-05-1996		
4	532952	OP-AMP ULTRA LOW BIAS	2.0000	EA		B	3769	08-05-1996		
4	532322	IC 4053B ANALOG MUX/DEMUX	1.0000	EA		B	4842	07-31-2002		
4	531862	OP-AMP LM346N PROGRAM QUA	1.0000	EA		B	3769	08-05-1996		
4	102493011	RES. 249K OHM MF 1/4W 1%	1.0000	EA		B	3769	08-05-1996		
4	103321011	RES. 3.32K OHM MF 1/4W 1%	1.0000	EA		B	3769	08-05-1996		
4	101820011	RES. 182 OHM MF 1/4W 1%	1.0000	EA		B	3769	08-05-1996		
4	104421011	RES. 4.42K OHM MF 1/4W 1%	1.0000	EA		B	3769	08-05-1996		
4	106654011	RES. 6.65M OHM MF 1/4W 1%	1.0000	EA		B	3769	08-05-1996		
4	104993011	RES. 499K OHM MF 1/4W 1%	1.0000	EA		B	3769	08-05-1996		
4	104021011	RES. 4.02K OHM MF 1/4W 1%	1.0000	EA		B	3769	08-05-1996		
4	105364011	RES. 5.36M OHM MF 1/4W 1%	2.0000	EA		B	3769	08-05-1996		
4	103480011	RES. 348 OHM MF 1/4W 1%	1.0000	EA		B	3769	08-05-1996		
4	100000990	JUMPER DUMMY RESISTOR	5.0000	EA		B	3769	08-05-1996		
4	101000011	RES. 100 OHM MF 1/4W 1%	1.0000	EA		B	3769	08-05-1996		
4	101003011	RES. 100K OHM MF 1/4W 1%	1.0000	EA		B	3769	08-05-1996		
4	101004011	RES. 1.00M OHM MF 1/4W 1%	4.0000	EA		B	3769	08-05-1996		
4	102003011	RES. 200K OHM MF 1/4W 1%	2.0000	EA		B	3769	08-05-1996		
4	104991011	RES. 4.99K OHM MF 1/4W 1%	1.0000	EA		B	3769	08-05-1996		
4	101503011	RES. 150K OHM MF 1/4W 1%	1.0000	EA		B				
4	530572	DIODE 1N4446 SWITCHING	2.0000	EA		B	4906	05-19-2003		
4	530532	DIODE FD300 GENERAL PURPO	1.0000	EA		B	3769	08-05-1996		
4	521852	CAP. 0.68 MFD 50V CERAMIC	1.0000	EA		B	3769	08-05-1996		
4	521972	CAP. .047 MFD 50V CER X7	1.0000	EA		B	3769	08-05-1996		
4	521072	CAP. 22MFD 16V TANT 10%	2.0000	EA		B	3769	08-05-1996		
4	551122	CHOKO 9250-122 1.2 UH, .1	2.0000	EA		B	3769	08-05-1996		
4	521902	CAP. NPO 1000pf 200V .2LS	1.0000	EA		B	3769	08-05-1996		
4	521862	CAP. 3.3 MFD 50V CERAMC X	1.0000	EA		B	3769	08-05-1996		
4	521872	CAP. 1.0 MFD 50V CERAMIC	5.0000	EA		B	3769	08-05-1996		
4	522002	CAP. .01 MFD 200V CERAMIC	6.0000	EA		B	3769	08-05-1996		
4	531892	REG. LM317LZ +1.2/37V ADJ	1.0000	EA		B	3769	08-05-1996		
4	431902	BIVAR PERMO PAD 0.250 DIA	1.0000	EA		B	3769	08-05-1996		
4	530862	TRAN. 2N2222A NPN MED POW	1.0000	EA		B	3769	08-05-1996		
4	551152	INDUCTOR 100UH +/-10% IMS	2.0000	EA		B	3769	08-05-1996		
4	531882	DIODE LM385BZ-2.5 2.5V RE	6.0000	EA		B	3769	08-05-1996		
4	575602	CONN. HDR AMP STRAIGHT 5	1.0000	EA		B	3769	08-05-1996		
4	574592	CONN. HDR AMP STRAIGHT 4	1.0000	EA		B	3769	08-05-1996		
4	LDN200/04	SEE EXTENDED DESCRIPTION	0.0000	EA		M P				
4	572732	HEADER SNGL 36 PIN .1 CNT	11.0000	EA		B	3769	08-05-1996		
4	LDN200/05	SEE EXTENDED DESCRIPTION	0.0000	EA		M P				
2	C11186	PREAMP/ LINEARIZER PCB AS	1.0000	EA		M P	3671	04-08-1996		
3	C20211	SCHEMATIC: PREAMP/ LINEAR	1.0000	EA		M P	4785	03-05-2002		
3	LDN100	PREAMP/ LIN PCB ASSY INFR	1.0000	EA		M P	3659	04-12-1996		
4	502493	PCB DIN RAIL LINEARIZER	1.0000	EA		B	3767	08-07-1996		

Number :DN#31511 - IRCON INFRARAIL IRT SO-LI: 92115*2

Level	Part Number	Description	Quantity	UM	Alt	MB X	ECO No.	ECO Date	Start Use	End Use
4	LDN100/01	SEE EXTENDED DESCRIPTION	0.0000	EA		M P				
4	LDN100/02	SEE EXTENDED DESCRIPTION	0.0000	EA		M P				
4	532982	OP-AMP AD548CQ LOW PWR	1.0000	EA		B	3767	08-07-1996		
4	531862	OP-AMP LM346N PROGRAM QUA	3.0000	EA		B	3767	08-07-1996		
4	530532	DIODE FD300 GENERAL PURPO	16.0000	EA		B	3767	08-07-1996		
4	514632	RES. 330K NETWORK 10 PIN	2.0000	EA		B	3767	08-07-1996		
4	514642	RES. 330K NETWORK 10 PIN	2.0000	EA		B	3767	08-07-1996		
4	104533011	RES. 453K OHM MF 1/4W 1%	1.0000	EA		B	3767	08-07-1996		
4	1010R0011	RES. 10.0 OHM MF 1/4W 1%	1.0000	EA		B	3767	08-07-1996		
4	102743011	RES. 274K OHM MF 1/4W 1%	1.0000	EA		B	3767	08-07-1996		
4	102103011	RES. 210K OHM MF 1/4W 1%	1.0000	EA		B	3767	08-07-1996		
4	105364011	RES. 5.36M OHM MF 1/4W 1%	6.0000	EA		B	3767	08-07-1996		
4	101002011	RES. 10.0K OHM MF 1/4W 1%	1.0000	EA		B	3767	08-07-1996		
4	101003011	RES. 100K OHM MF 1/4W 1%	1.0000	EA		B	3767	08-07-1996		
4	102003011	RES. 200K OHM MF 1/4W 1%	2.0000	EA		B	3767	08-07-1996		
4	101000011	RES. 100 OHM MF 1/4W 1%	2.0000	EA		B	3767	08-07-1996		
4	100000990	JUMPER DUMMY RESISTOR	1.0000	EA		B	3767	08-07-1996		
4	551122	CHOKE 9250-122 1.2 UH, .1	1.0000	EA		B	3767	08-07-1996		
4	540412	FERRITE BEAD ON LEAD AXIA	3.0000	EA		B	3767	08-07-1996		
4	522002	CAP. .01 MFD 200V CERAMIC	7.0000	EA		B	3767	08-07-1996		
4	521902	CAP. NPO 1000pf 200V .2LS	2.0000	EA		B	3767	08-07-1996		
4	521932	CAP. 100 PF COG 200V	1.0000	EA		B	3767	08-07-1996		
4	521962	CAP. 10Pf NPO 200V .2LS	2.0000	EA		B	3767	08-07-1996		
4	514612	POT. 50K 25T 1/2W 10%	1.0000	EA		B	3767	08-07-1996		
4	514242	POT. 25K OHM 25T 1/2W 10%	1.0000	EA		B	3767	08-07-1996		
4	514622	POT. 100K 25T 1/2W 10%	1.0000	EA		B	3767	08-07-1996		
4	574922	CONN. HDR AMP STRAIGHT 3	1.0000	EA		B	3767	08-07-1996		
4	LDN100/03	SEE EXTENDED DESCRIPTION	0.0000	EA		M P				
4	574432	SOCKET 40 POS DIP .5HT EL	1.0000	EA		B	3767	08-07-1996		
4	LDN100/04	SEE EXTENDED DESCRIPTION	0.0000	EA		M P				
4	526002	CAP. SMC 330PF NPO 50V 5%	1.0000	EA		B	3767	08-07-1996		
4	572732	HEADER SNGL 36 PIN .1 CNT	11.0000	EA		B	3767	08-07-1996		
4	LDN100/05	SEE EXTENDED DESCRIPTION	0.0000	EA		M P				
2	C11193	PCB INTERCONNECT ASSEMBLY	1.0000	EA		M P	3671	04-08-1996		
3	LDN300	PCB INTERCONN ASSY (INFRA	1.0000	EA		M P				
4	502533	PCB DIN RAIL POWER PEAK-P	1.0000	EA		B	3721	08-01-1996		
4	575922	CONN. FEMALE 11 POSITION	2.0000	EA		B	3721	08-01-1996		
2	477112	LABEL, COVER, DIN BOX	1.0000	EA		B	4909	06-11-2003		
2	C11190	DECAY RATE POT/ CONNECTOR	1.0000	EA		M P	3671	04-08-1996		
3	LDN003	DECAY RATE POT/ CONN. ASS	1.0000	EA		M P	4030	10-08-1997		
4	514592	POT. 50K OHM 1T 1/2W 10%	1.0000	EA		B				
4	LDN003/01	SEE EXTENDED DESCRIPTION	0.0000	EA		M P				
4	302479000	WIRE 24AWG VIO/WHITE STRA	1.0000	IN		B				
4	302409000	WIRE 24AWG BLK/WHITE STRA	1.0000	IN		B				
4	302459000	WIRE 24AWG GRN/WHITE STRA	1.0000	IN		B				
4	574662	CONN. CONTACT 20-24 AWG C	3.0000	EA		B				
4	574692	CONN. HOUSING 5 POSITION-	1.0000	EA		B				
2	C11189	RESPONSE TIME POT/ CONNEC	1.0000	EA		M P	3671	04-08-1996		
3	LDN002	RESP. TIME POT/ CONN. ASS	1.0000	EA		M P				
4	514602	POT. 5M OHM 1T 1/2W 20% P	1.0000	EA		B				
4	302440000	WIRE 24AWG YEL/BLACK STRA	1.0000	IN		B				
4	302460000	WIRE 24AWG BLU/BLACK STRA	1.0000	IN		B				
4	302430000	WIRE 24AWG ORG/BLACK STRA	1.0000	IN		B				
4	574662	CONN. CONTACT 20-24 AWG C	3.0000	EA		B				
4	574682	CONN. HOUSING 4 POSITION-	1.0000	EA		B				
2	C11188	EMISSIVITY POT/ CONNECTOR	1.0000	EA		M P	3671	04-08-1996		
3	LDN001	EMISSIVITY POT/ CONN. ASS	1.0000	EA		M P	3767	08-07-1996		
4	513722	POT. 100K 2 DIGIT 1% DIGI	1.0000	EA		B	3767	08-07-1996		
4	30245X000	WIRE 24AWG GREEN STRANDED	1.0000	IN		B	3767	08-07-1996		
4	30249X000	WIRE 24AWG WHITE STRANDED	1.0000	IN		B	3767	08-07-1996		
4	30246X000	WIRE 24AWG BLUE STRANDED	1.0000	IN		B	3767	08-07-1996		
4	574662	CONN. CONTACT 20-24 AWG C	3.0000	EA		B	3767	08-07-1996		
4	574672	CONN. HOUSING 3 POSITION-	1.0000	EA		B	3767	08-07-1996		
4	477212	LABEL - CLEAR WINDOW	1.0000	EA		B	3767	08-07-1996		
2	575852	KNOB, 9MM COLLET TYPE,	2.0000	EA		B	3671	04-08-1996		
2	575872	POINTER, 9MM COLLET TYPE	2.0000	EA		B	3671	04-08-1996		
2	575862	CAP. 9MM COLLET TYPE KNOB	2.0000	EA		B	3671	04-08-1996		
2	C11194	MODULE ASSEMBLY - M1 - (I	1.0000	EA		M P	3671	04-08-1996		

Number :DN#31511 - IRCON INFRARAIL IRT SO-LI: 92115*2

Level	Part Number	Description	Quantity	UM	Alt	MB X	ECO No.	ECO Date	Start Use	End Use
3	573912	HEADER 40 PIN DIP .6 CENT	1.0000	EA		B				
3	T-C11194-1	SELECT "M1" MODULE VALUES	0.0000	EA		B				
3	T-C11194-3	GT M1 MODULE VALUES	0.0000	EA		B				
2	575912	CONN. KEYING ELEMENT (DN-	2.0000	EA		B	3671	04-08-1996		
2	477132	LABEL, SERIAL NUMBER, DIN	1.0000	EA		B	3671	04-08-1996		
2	477122	LABEL, DIN BOX, INFRARAIL	1.0000	EA		B	3671	04-08-1996		
2	574082	TERM. BLOCK JUMPER QUICK	1.0000	EA		B	3671	04-08-1996		
2	LDNKIT	MTG CLIP KIT FOR INFRARAI	1.0000	EA		M P	3671	04-08-1996		
3	990300010	CLIP MTG FOR DIN BOX	2.0000	EA		B	3694	04-17-1996		
3	LDNKIT/01	SEE EXTENDED DESCRIPTION	0.0000	EA		M P				
2	477182	LABEL-CE MARK (PRODUCTS)	1.0000	EA		B	3671	04-08-1996		



IRCON, INC T 847-967-5151
 7300 North Natchez Ave T 800-323-7660
 Niles, Illinois 60714 USA F 847-647-0948

Acknowledgment

ORDER DATE: 25 OCT 2006

REV: DATE:

Customer No. 100426
SOLD TO

IRCON B.V.
 DATABANKWEG 6 C
 3821 AL AMERSFOORT
 THE NETHERLANDS

SHIP TO
 OTTO JUNKER GMBH
 JAGERHAUSSTRASSE 22
 SIMMERATH, 52152
 GERMANY

SPECIAL SHIPPING INSTRUCTIONS

OUR ORDER No.		YOUR PO No.		F.O.B.			TAX
92355		1661		ORIGIN			Resale
SHIP VIA		TERMS		DATE REQUESTED	SALES REPRESENTATIVE		
UPS SCS		0.00/0/180		11-17-06	1001 (100.00)		
LI	PART NO.	PRODUCT/DESCRIPTION	QTY	UNIT PRICE	DISC	NET PRICE	EXTENSION
1	DN-HO#31844 <i>W.O.# 22742</i>	DN-DNE31-13C <i>DNE99-99C</i> IRCON INFRARAIL IRT SENSING HEAD ONLY Consists of the following: 1.0000 - INFRARAIL HEAD ONLY 1.0000 - DN - E SERIES 1.0000 - D/100 RESOLUTION (E) 1.0000 - 800-1300C	2	346.77	0.0	346.77	693.55
							<i>Proc. No R729</i> <i>Temp range 450-1050C</i> <i>D/50 resolution</i> <i>with cable break alarm.</i>
2	MOD-CHARGES	MODIFICATION OF PRODUCT	2	78.81	0.0	78.81	157.62
3	DN-C#31845	CBDNEPVC1 INFRARAIL CABLE ONLY Consists of the following: 1.0000 - DN CB/CABLE ASSY'S 1.0000 - E SERIES CABLE/ASSY 1.0000 - PVC INTERC. CB ASSY 13.2000 - Meters conv. to feet	2	50.73	0.0	50.73	101.47
THIS ORDER IS ACCEPTED SUBJECT TO TERMS AND CONDITIONS SHOWN ON THIS AND THE REVERSE SIDE						GRAND TOTAL	ECU952.64

SHIP TO: IRCON, INC.
 7300 N. NATCHEZ AVE.
 NILES, IL 60714 USA

IF TAX EXEMPT, PLEASE PROVIDE COPY OF EXEMPTION OR DIRECT PAYMENT CERTIFICATE



IRCON, INC.
 7300 North Natchez Avenue
 Niles, Illinois 60714 USA

Telephone 847-967-5151
 Toll Free 800-323-7660
 Fax 847-647-0948

ISO 9001/OS 9000 TE
 Quality Systems Certified

Modified Standard Product
Data Form

A modified standard product is a product that is based on a standard product found in the most recent price list. The modifications maybe items such as; temperature ranges, output types, resolution, response time and optical issues. A modified standard product form is to be completed and submitted to Steve Schumm and Gene Kalley for review and approval based on the modification (which we have done before). If the modification has not been done before, the approval will require the entire senior management team's approval BEFORE QUOTING. A modified standard product if approved; this product will become a price listed standard product. We can then pay commission as outlined in our most recent contract.

- Standard Product is a Model Number: DNE21-13C
- Standard Product List Price: \$440
- The product change requested would be: Relo R729-450-1050 C
D/50, Cable Bkular *Sales will attach specifics to this form.*
- The market is willing to pay: 540 for this product (total including standard price).
- What is engineering's expected time investment and cost: 1 hour Man Days
\$ 100⁰⁰
- What is production's expected purchasing and production time requirement: _____ Days
- This new product has potential in the following application and estimated potential per year would be _____ per year.

➤ This product will be not be _____ quoted and produced as previously outlined.

➤ Agreed on this date of _____ By production/purchasing _____

By engineering A. DONADO 11/3/06

➤ Sales can now quote this project for \$ _____ per unit. W.O. # 22742

_____ lead time.

_____ Add to standard product list in literature (Maxine)

_____ Add to price list (Vern)

cc/ Greg P, Paul V, Regional Sales Staff Globally

W.O.# 22742

Number :DN-HO#31844 - IRCON INFRARAIL IRT SO-LI: 92355*1

Level	Part Number	Description	Quantity	UM	Alt	MB X	ECO No.	ECO Date	Start Use	End Use
1	DN1DNE	DN PRICES	1.0000	EA		M P				
1	OK C11201-R713	SENSING HEAD FINAL ASSY	1.0000	EA		M P				
2	451323	FIELD STOP .044DIA	1.0000	EA		B	3709	05-17-1996		
2	C11201/01	SEE EXTENDED DESCRIPTION	0.0000	EA		M				
2	990300005	RETAINING RING 7/16 OD, .2	1.0000	EA		B	3709	05-17-1996		
2	431442	DET. LOCATOR MOD2	1.0000	EA		B	3709	05-17-1996		
2	C11209-R707	SH DETECTOR ASSEMBLY E HD	1.0000	EA		M P	3709	05-17-1996		
3	LR721-D	DET ASSY FOR SPL# R721	1.0000	EA		M P	3770	08-21-1996		
4	LR721-D/01	SEE EXTENDED DESCRIPTION	0.0000	EA		M P				
4	431432	DET. HOLDER MR20 SERIES	1.0000	EA		B				
4	640552	FILTER, BANDPASS	1.0000	EA		B				
4	590942	DETECTOR InGaAs 1.6u	1.0000	EA		B				
4	LR721-D/02	SEE EXTENDED DESCRIPTION	0.0000	EA		M P				
4	560372	CABLE PVC 1 COND SHIELD 2	3.0000	IN		B				
4	312430100	WIRE 24AWG BARE SOLID	1.0000	IN		B				
4	430292	CONN. GASKET 2000 SERIES	1.0000	EA		B				
4	575892	CONN. CIRC 3 RECPT 10SL-3	1.0000	EA		B				
4	490042	SPRING DETECTOR RETAINER	1.0000	EA		B				
4	630092	FOLDING MIRROR SH MROA SE	1.0000	EA		B				
4	490032	SPRING FOLDING MIRROR MOD	1.0000	EA		B				
4	200204130	SCREW #2-56 X 1/8 PH SLOT	1.0000	EA		B				
4	990100016	EPOXY HARDMAN #4001 3-5 M	1.0000	EA		B				
4	3214G00X0	TUBING #14 PVC CLEAR	1.0000	IN		B				
2	447352	SENSOR, E-HEAD	1.0000	EA		B	3709	05-17-1996		
2	610432	EYE LENS FOR A HEAD	1.0000	EA		B	3709	05-17-1996		
2	990100002	EPOXY HARDMAN #4005 GEN P	1.0000	EA		B	3709	05-17-1996		
2	447372	FIELD STOP, .312 DIA	1.0000	EA		B	3709	05-17-1996		
2	447382	FIELD STOP, .437 DIA	1.0000	EA		B	3709	05-17-1996		
2	610402	LENS PLANO CONVEX 30" F/L	1.0000	EA		B	3709	05-17-1996		
2	431752	O RING 13/16 X 1/16 TH 70	1.0000	EA		B	3709	05-17-1996		
2	447362	LENS RING E-HEAD SENSOR	1.0000	EA		B	3709	05-17-1996		
2	200412440	SCREW #4-40 X 3/8 FIL SLO	4.0000	EA		B	3709	05-17-1996		
2	220403200	WASHER #4 LOCK SPLIT RING	4.0000	EA		B	3709	05-17-1996		
2	454152	SCREW, ADJUSTMENT,	1.0000	EA		B	3709	05-17-1996		
2	433372	O RING 3/32 X 7/32 X 1/16	1.0000	EA		B	3709	05-17-1996		
2	220602200	WASHER #6 LOCK EXT TOOTH	1.0000	EA		B	3709	05-17-1996		
2	200606040	SCREW #6-32 X 3/16 PH SLO	1.0000	EA		B	3709	05-17-1996		
2	C11201/02	SEE EXTENDED DESCRIPTION	0.0000	EA		M				
2	443502	RETAINING NUT	1.0000	EA		B	3709	05-17-1996		
2	477142	LABEL, SERIAL NUMBER, SEN	1.0000	EA		B	3709	05-17-1996		
2	474772	LABEL GROUND WARNING	1.0000	EA		B	3709	05-17-1996		
2	T-C11201-1	DETERMINE IF CABLE IS REQ	0.0000	EA		B	3709	05-17-1996		
2	C11201/03	SEE EXTENDED DESCRIPTION	0.0000	EA		M				
2	999900013	CAP PLUG #SC-1-1/4	1.0000	EA		B	3709	05-17-1996		
2	990100028	SEALANT RTV SILICONE BLAC	1.0000	EA		B	3709	05-17-1996		
2	999900014	STEM BUMPER 3/8OD .275T	1.0000	EA		B	3709	05-17-1996		

R729 (sensor Only)



IRCON, INC T 847-967-5151
 7300 North Natchez Ave T 800-323-7660
 Niles, Illinois 60714 USA F 847-647-0948

Acknowledgment

ORDER DATE: 02 FEB 2007

REV: DATE:

Customer No. 100426

SOLD TO

IRCON B.V.
 DATABANKWEG 6 C
 3821 AL AMERSFOORT
 THE NETHERLANDS

SHIP TO

SOFIA MED S.A.
 1528 GARA ISKAR
 4, DIMITAR PESHEV STR.
 SOFIA,
 BULGARIA

SPECIAL SHIPPING INSTRUCTIONS

OUR ORDER No.		YOUR PO No.		F.O.B.			TAX	
93116		1872		ORIGIN			Resale	
SHIP VIA		TERMS		DATE REQUESTED	SALES REPRESENTATIVE			
UPS SCS		0.00/0/180		02-16-07	1001 (100.00)			
LI	PART NO.	PRODUCT/DESCRIPTION		QTY	UNIT PRICE	DISC	NET PRICE	EXTENSION
1	DN#33022 <i>W.O.# 23436</i>	DN_DNE31-13C <i>E99-99C</i> IRCON INFRARAIL IRT SYSTEM-COMplete Consists of the following: 1.0000 - INFRARAIL 1.0000 - DN - E SERIES 1.0000 - Std Cbl Lgth 4 meters. 12ft 1.0000 - D/100 RESOLUTION (E) 1.0000 - 800-1300C		1	617.45	0.0	617.45	617.45
2	MOD-CHARGES	MODIFICATION OF PRODUCT		1	77.18	0.0	77.18	77.18
<i>Redo Spec No R 729 Temp range 450-1050C D/50 resolution with cable break alarm</i>					<i>RMB 2/16/07</i>			
THIS ORDER IS ACCEPTED SUBJECT TO TERMS AND CONDITIONS SHOWN ON THIS AND THE REVERSE SIDE					GRAND TOTAL		ECU694.63	

SHIP TO: IRCON, INC.
 7300 N. NATCHEZ AVE.
 NILES, IL 60714 USA

IF TAX EXEMPT, PLEASE PROVIDE COPY OF
 EXEMPTION OR DIRECT PAYMENT CERTIFICATE



IRCON, INC.
7300 North Natchez Avenue
Niles, Illinois 60714 USA

Telephone 847-967-5151
Toll Free 800-323-7660
Fax 847-647-0948

ISO 9001/OS 9000 TE
Quality Systems Certified

Modified Standard Product
Data Form

A modified standard product is a product that is based on a standard product found in the most recent price list. The modifications maybe items such as; temperature ranges, output types, resolution, response time and optical issues. A modified standard product form is to be completed and submitted to Steve Schumm and Gene Kalley for review and approval based on the modification (which we have done before). If the modification has not been done before, the approval will require the entire senior management team's approval BEFORE QUOTING. A modified standard product if approved; this product will become a price listed standard product. We can then pay commission as outlined in our most recent contract.

- Standard Product is a Model Number: DNE31-13C
- Standard Product List Price: \$800
- The product change requested would be: Redo R 729, 450-105C
D/50, cable blk clear *Sales will attach specifics to this form.*
- The market is willing to pay: \$900 for this product (total including standard price).
- What is engineering's expected time investment and cost: 1 hour Man Days
\$ 100⁰⁰
- What is production's expected purchasing and production time requirement: Days
- This new product has potential in the following application and estimated potential per year would be per year.

➤ This product will be not be quoted and produced as previously outlined.

➤ Agreed on this date of By production/purchasing
By engineering A.D. 2/7/07

➤ Sales can now quote this project for \$ per unit. W.O.# 23436

 lead time.

 Add to standard product list in literature (Maxine)

 Add to price list (Vern)

cc/ Greg P, Paul V, Regional Sales Staff Globally

W.O.# 23430

Number :DN#33022 - IRCON INFRARAIL IRT SO-LI: 93116*1

Level	Part Number	Description	Quantity	UM	Alt.	MB X	ECO No.	ECO Date	Start Use	End Use
1	DN0DNE	DN PRICES	1.0000	EA		M P				
1	C11201-R713	SENSING HEAD FINAL ASSY	1.0000	EA		M P				
2	451323	FIELD STOP .044DIA	1.0000	EA		B	3709	05-17-1996		
2	C11201/01	SEE EXTENDED DESCRIPTION	0.0000	EA		M				
2	990300005	RETAINING RING 7/16 OD, .2	1.0000	EA		B	3709	05-17-1996		
2	431442	DET. LOCATOR MOD2	1.0000	EA		B	3709	05-17-1996		
2	C11209-R707	SH DETECTOR ASSEMBLY E HD	1.0000	EA		M P	3709	05-17-1996		
3	LR721-D	DET ASSY FOR SPL# R721	1.0000	EA		M P	3770	08-21-1996		
4	LR721-D/01	SEE EXTENDED DESCRIPTION	0.0000	EA		M P				
4	431432	DET. HOLDER MR20 SERIES	1.0000	EA		B				
4	640552	FILTER, BANDPASS	1.0000	EA		B				
4	590942	DETECTOR InGaAs 1.6u	1.0000	EA		B				
4	LR721-D/02	SEE EXTENDED DESCRIPTION	0.0000	EA		M P				
4	560372	CABLE PVC 1 COND SHIELD 2	3.0000	IN		B				
4	312430100	WIRE 24AWG BARE SOLID	1.0000	IN		B				
4	430292	CONN. GASKET 2000 SERIES	1.0000	EA		B				
4	575892	CONN. CIRC 3 RECPT 10SL-3	1.0000	EA		B				
4	490042	SPRING DETECTOR RETAINER	1.0000	EA		B				
4	630092	FOLDING MIRROR SH MROA SE	1.0000	EA		B				
4	490032	SPRING FOLDING MIRROR MOD	1.0000	EA		B				
4	200204130	SCREW #2-56 X 1/8 PH SLOT	1.0000	EA		B				
4	990100016	EPOXY HARDMAN #4001 3-5 M	1.0000	EA		B				
4	3214G00X0	TUBING #14 PVC CLEAR	1.0000	IN		B				
2	447352	SENSOR, E-HEAD	1.0000	EA		B	3709	05-17-1996		
2	610432	EYE LENS FOR A HEAD	1.0000	EA		B	3709	05-17-1996		
2	990100002	EPOXY HARDMAN #4005 GEN P	1.0000	EA		B	3709	05-17-1996		
2	447372	FIELD STOP, .312 DIA	1.0000	EA		B	3709	05-17-1996		
2	447382	FIELD STOP, .437 DIA	1.0000	EA		B	3709	05-17-1996		
2	610402	LENS PLANO CONVEX 30" F/L	1.0000	EA		B	3709	05-17-1996		
2	431752	O RING 13/16 X 1/16 TH 70	1.0000	EA		B	3709	05-17-1996		
2	447362	LENS RING E-HEAD SENSOR	1.0000	EA		B	3709	05-17-1996		
2	200412440	SCREW #4-40 X 3/8 FIL SLO	4.0000	EA		B	3709	05-17-1996		
2	220403200	WASHER #4 LOCK SPLIT RING	4.0000	EA		B	3709	05-17-1996		
2	454152	SCREW, ADJUSTMENT,	1.0000	EA		B	3709	05-17-1996		
2	433372	O RING 3/32 X 7/32 X 1/16	1.0000	EA		B	3709	05-17-1996		
2	220602200	WASHER #6 LOCK EXT TOOTH	1.0000	EA		B	3709	05-17-1996		
2	200606040	SCREW #6-32 X 3/16 PH SLO	1.0000	EA		B	3709	05-17-1996		
2	C11201/02	SEE EXTENDED DESCRIPTION	0.0000	EA		M				
2	443502	RETAINING NUT	1.0000	EA		B	3709	05-17-1996		
2	477142	LABEL, SERIAL NUMBER, SEN	1.0000	EA		B	3709	05-17-1996		
2	474772	LABEL GROUND WARNING	1.0000	EA		B	3709	05-17-1996		
2	T-C11201-1	DETERMINE IF CABLE IS REQ	0.0000	EA		B	3709	05-17-1996		
2	C11201/03	SEE EXTENDED DESCRIPTION	0.0000	EA		M				
2	999900013	CAP PLUG #SC-1-1/4	1.0000	EA		B	3709	05-17-1996		
2	990100028	SEALANT RTV SILICONE BLAC	1.0000	EA		B	3709	05-17-1996		
2	999900014	STEM BUMPER 3/8OD .275T	1.0000	EA		B	3709	05-17-1996		
1	D11198	PVC-(INT/EXT-E/F SERIES) (1.0000	EA		M P				
2	560052	CABLE PVC 2 COND 1100/200	1.0000	FT		B	3913	04-02-1997		
2	D11198/01	SEE EXTENDED DESCRIPTION	0.0000	EA		M				
2	D11198/02	SEE EXTENDED DESCRIPTION	0.0000	EA		M				
2	D11198/03	SEE EXTENDED DESCRIPTION	8.0000	EA		M				
2	575882	CONN. CIRC 10SL-3 BACKSHE	1.0000	EA		B	3913	04-02-1997		
2	3210G00X0	TUBING #10 PVC CLEAR	3.0000	IN		B	3913	04-02-1997		
2	3212G00X0	TUBING #12 PVC CLEAR	1.0000	IN		B	3913	04-02-1997		
2	575902	CONN. CIRC 10SL-3 STR PLU	1.0000	EA		B	3913	04-02-1997		
2	3216I1400	TUBING 1/4" SHRINKABLE BL	1.0000	IN		B	3913	04-02-1997		
2	990100027	ADHESIVE LOCTITE 272	1.0000	EA		B	3913	04-02-1997		
2	C-CABLE	DETERMINE CABLE LENGTH FR	1.0000	EA		M P	3913	04-02-1997		
2	477202	LABEL INFRARAIL (2.0" X 0	1.0000	EA		B	3913	04-02-1997		
1	U-D11198-C	12 FEET OF CABLE	1.0000	EA		M P				
2	560052	CABLE PVC 2 COND 1100/200	12.0000	FT		B				
1	U-M1-R729	MODULE ASSY M1-INFRARAIL	1.0000	EA		M P				
2	102103011	RES. 210K OHM MF 1/4W 1%	1.0000	EA		B				
2	101872011	RES. 18.7K OHM MF 1/4W 1%	1.0000	EA		B				
2	101243011	RES. 124K OHM MF 1/4W 1%	1.0000	EA		B				
2	101502011	RES. 15.0K OHM MF 1/4W 1%	1.0000	EA		B				
2	105902011	RES. 59.0K OHM MF 1/4W 1%	1.0000	EA		B				
2	101002011	RES. 10.0K OHM MF 1/4W 1%	1.0000	EA		B				

R729

Number :DN#33022 - IRCON INFRARAIL IRT SO-LI: 93116*1

Level	Part Number	Description	Quantity	UM	Alt	MB X	ECO No.	ECO Date	Start Use	End Use
2	109532011	RES. 95.3K OHM MF 1/4W 1%	1.0000	EA		B				
2	106341011	RES. 6.34K OHM MF 1/4W 1%	1.0000	EA		B				
2	101583011	RES. 158K OHM MF 1/4W 1%	1.0000	EA		B				
2	103831011	RES. 3.83K OHM MF 1/4W 1%	1.0000	EA		B				
2	102743011	RES. 274K OHM MF 1/4W 1%	1.0000	EA		B				
2	102151011	RES. 2.15K OHM MF 1/4W 1%	1.0000	EA		B				
2	104873011	RES. 487K OHM MF 1/4W 1%	1.0000	EA		B				
2	101211011	RES. 1.21K OHM MF 1/4W 1%	1.0000	EA		B				
2	109093011	RES. 909K OHM MF 1/4W 1%	1.0000	EA		B				
2	106340011	RES. 634 OHM MF 1/4W 1%	1.0000	EA		B				
2	101744011	RES. 1.74M OHM MF 1/4W 1%	1.0000	EA		B				
2	103320011	RES. 332 OHM MF 1/4W 1%	1.0000	EA		B				
2	102870011	RES. 287 OHM MF 1/4W 1%	1.0000	EA		B				
2	103574011	RES. 3.57M OHM MF 1/4W 1%	1.0000	EA		B				
1	D11191	INFRARAIL BOX ASSEMBLY	1.0000	EA		M P				
2	433332	ENCLOSURE, DIN BOX, MODIF	1.0000	EA		B	3671	04-08-1996		
2	C11187	POWER SUPPLY/ PEAK-PICKER	1.0000	EA		M P	3671	04-08-1996		
3	C20212	SCHEMATIC: POWER SUPPLY/	1.0000	EA		M P	4202	01-14-1999		
3	LDN200	PWR SUPPLY/ PP PCB ASSY	1.0000	EA		M P	4202	01-14-1999		
4	502505	PCB DIN RAIL POWER PEAK-P	1.0000	EA		B	3769	08-05-1996		
4	LDN200/01	SEE EXTENDED DESCRIPTION	0.0000	EA		M P				
4	533082	TRAN. MJE800 NPN - DARLIN	1.0000	EA		B	3769	08-05-1996		
4	LDN200/02	SEE EXTENDED DESCRIPTION	0.0000	EA		M P				
4	LDN200/03	SEE EXTENDED DESCRIPTION	0.0000	EA		M P				
4	530882	DIODE 1N4002 GP RECTIFIER	1.0000	EA		B	3769	08-05-1996		
4	532952	OP-AMP ULTRA LOW BIAS	2.0000	EA		B	3769	08-05-1996		
4	532322	IC 4053B ANALOG MUX/DEMUX	1.0000	EA		B	4842	07-31-2002		
4	531862	OP-AMP LM346N PROGRAM QUA	1.0000	EA		B	3769	08-05-1996		
4	102493011	RES. 249K OHM MF 1/4W 1%	1.0000	EA		B	3769	08-05-1996		
4	103321011	RES. 3.32K OHM MF 1/4W 1%	1.0000	EA		B	3769	08-05-1996		
4	101820011	RES. 182 OHM MF 1/4W 1%	1.0000	EA		B	3769	08-05-1996		
4	104421011	RES. 4.42K OHM MF 1/4W 1%	1.0000	EA		B	3769	08-05-1996		
4	106654011	RES. 6.65M OHM MF 1/4W 1%	1.0000	EA		B	3769	08-05-1996		
4	104993011	RES. 499K OHM MF 1/4W 1%	1.0000	EA		B	3769	08-05-1996		
4	104021011	RES. 4.02K OHM MF 1/4W 1%	1.0000	EA		B	3769	08-05-1996		
4	105364011	RES. 5.36M OHM MF 1/4W 1%	2.0000	EA		B	3769	08-05-1996		
4	103480011	RES. 348 OHM MF 1/4W 1%	1.0000	EA		B	3769	08-05-1996		
4	100000990	JUMPER DUMMY RESISTOR	5.0000	EA		B	3769	08-05-1996		
4	101000011	RES. 100 OHM MF 1/4W 1%	1.0000	EA		B	3769	08-05-1996		
4	101003011	RES. 100K OHM MF 1/4W 1%	1.0000	EA		B	3769	08-05-1996		
4	101004011	RES. 1.00M OHM MF 1/4W 1%	4.0000	EA		B	3769	08-05-1996		
4	102003011	RES. 200K OHM MF 1/4W 1%	2.0000	EA		B	3769	08-05-1996		
4	104991011	RES. 4.99K OHM MF 1/4W 1%	1.0000	EA		B	3769	08-05-1996		
4	101503011	RES. 150K OHM MF 1/4W 1%	1.0000	EA		B				
4	530572	DIODE 1N4446 SWITCHING	2.0000	EA		B	4906	05-19-2003		
4	530532	DIODE FD300 GENERAL PURPO	1.0000	EA		B	3769	08-05-1996		
4	521852	CAP. 0.68 MFD 50V CERAMIC	1.0000	EA		B	3769	08-05-1996		
4	521972	CAP. .047 MFD 50V CER X7	1.0000	EA		B	3769	08-05-1996		
4	521072	CAP. 22MFD 16V TANT 10%	2.0000	EA		B	3769	08-05-1996		
4	551122	CHOKE 9250-122 1.2 UH, .1	2.0000	EA		B	3769	08-05-1996		
4	521902	CAP. NPO 1000pf 200V .2LS	1.0000	EA		B	3769	08-05-1996		
4	521862	CAP. 3.3 MFD 50V CERAMC X	1.0000	EA		B	3769	08-05-1996		
4	521872	CAP. 1.0 MFD 50V CERAMIC	5.0000	EA		B	3769	08-05-1996		
4	522002	CAP. .01 MFD 200V CERAMIC	6.0000	EA		B	3769	08-05-1996		
4	531892	REG. LM317LZ +1.2/37V ADJ	1.0000	EA		B	3769	08-05-1996		
4	431902	BIVAR PERMO PAD 0.250 DIA	1.0000	EA		B	3769	08-05-1996		
4	530862	TRAN. 2N2222A NPN MED POW	1.0000	EA		B	3769	08-05-1996		
4	551152	INDUCTOR 100UH +/-10% IMS	2.0000	EA		B	3769	08-05-1996		
4	531882	DIODE LM385BZ-2.5 2.5V RE	6.0000	EA		B	3769	08-05-1996		
4	575602	CONN. HDR AMP STRAIGHT 5	1.0000	EA		B	3769	08-05-1996		
4	574592	CONN. HDR AMP STRAIGHT 4	1.0000	EA		B	3769	08-05-1996		
4	LDN200/04	SEE EXTENDED DESCRIPTION	0.0000	EA		M P				
4	572732	HEADER SNGL 36 PIN .1 CNT	11.0000	EA		B	3769	08-05-1996		
4	LDN200/05	SEE EXTENDED DESCRIPTION	0.0000	EA		M P				
2	C11186	PREAMP/ LINEARIZER PCB AS	1.0000	EA		M P	3671	04-08-1996		
3	C20211	SCHEMATIC: PREAMP/ LINEAR	1.0000	EA		M P	4785	03-05-2002		
3	LDN100	PREAMP/ LIN PCB ASSY INFR	1.0000	EA		M P	3659	04-12-1996		
4	502493	PCB DIN RAIL LINEARIZER	1.0000	EA		B	3767	08-07-1996		

Number :DN#33022 - IRCON INFRARAIL IRT SO-LI: 93116*1

Level	Part Number	Description	Quantity	UM	Alt	MB X	ECO No.	ECO Date	Start Use	End Use
4	LDN100/01	SEE EXTENDED DESCRIPTION	0.0000	EA		M P				
4	LDN100/02	SEE EXTENDED DESCRIPTION	0.0000	EA		M P				
4	532982	OP-AMP AD548CQ LOW PWR	1.0000	EA		B	3767	08-07-1996		
4	531862	OP-AMP LM346N PROGRAM QUA	3.0000	EA		B	3767	08-07-1996		
4	530532	DIODE FD300 GENERAL PURPO	16.0000	EA		B	3767	08-07-1996		
4	514632	RES. 330K NETWORK 10 PIN	2.0000	EA		B	3767	08-07-1996		
4	514642	RES. 330K NETWORK 10 PIN	2.0000	EA		B	3767	08-07-1996		
4	104533011	RES. 453K OHM MF 1/4W 1%	1.0000	EA		B	3767	08-07-1996		
4	1010R0011	RES. 10.0 OHM MF 1/4W 1%	1.0000	EA		B	3767	08-07-1996		
4	102743011	RES. 274K OHM MF 1/4W 1%	1.0000	EA		B	3767	08-07-1996		
4	102103011	RES. 210K OHM MF 1/4W 1%	1.0000	EA		B	3767	08-07-1996		
4	105364011	RES. 5.36M OHM MF 1/4W 1%	6.0000	EA		B	3767	08-07-1996		
4	101002011	RES. 10.0K OHM MF 1/4W 1%	1.0000	EA		B	3767	08-07-1996		
4	101003011	RES. 100K OHM MF 1/4W 1%	1.0000	EA		B	3767	08-07-1996		
4	102003011	RES. 200K OHM MF 1/4W 1%	2.0000	EA		B	3767	08-07-1996		
4	101000011	RES. 100 OHM MF 1/4W 1%	2.0000	EA		B	3767	08-07-1996		
4	100000990	JUMPER DUMMY RESISTOR	1.0000	EA		B	3767	08-07-1996		
4	551122	CHOKO 9250-122 1.2 UH, .1	1.0000	EA		B	3767	08-07-1996		
4	540412	FERRITE BEAD ON LEAD AXIA	3.0000	EA		B	3767	08-07-1996		
4	522002	CAP. .01 MFD 200V CERAMIC	7.0000	EA		B	3767	08-07-1996		
4	521902	CAP. NPO 1000pf 200V .2LS	2.0000	EA		B	3767	08-07-1996		
4	521932	CAP. 100 PF COG 200V	1.0000	EA		B	3767	08-07-1996		
4	521962	CAP. 10Pf NPO 200V .2LS	2.0000	EA		B	3767	08-07-1996		
4	514612	POT. 50K 25T 1/2W 10%	1.0000	EA		B	3767	08-07-1996		
4	514242	POT. 25K OHM 25T 1/2W 10%	1.0000	EA		B	3767	08-07-1996		
4	514622	POT. 100K 25T 1/2W 10%	1.0000	EA		B	3767	08-07-1996		
4	574922	CONN. HDR AMP STRAIGHT 3	1.0000	EA		B	3767	08-07-1996		
4	LDN100/03	SEE EXTENDED DESCRIPTION	0.0000	EA		M P				
4	574432	SOCKET 40 POS DIP .5HT EL	1.0000	EA		B	3767	08-07-1996		
4	LDN100/04	SEE EXTENDED DESCRIPTION	0.0000	EA		M P				
4	526002	CAP. SMC 330PF NPO 50V 5%	1.0000	EA		B	3767	08-07-1996		
4	572732	HEADER SNGL 36 PIN .1 CNT	11.0000	EA		B	3767	08-07-1996		
4	LDN100/05	SEE EXTENDED DESCRIPTION	0.0000	EA		M P				
2	C11193	PCB INTERCONNECT ASSEMBLY	1.0000	EA		M P	3671	04-08-1996		
3	LDN300	PCB INTERCONN ASSY (INFRA	1.0000	EA		M P				
4	502533	PCB DIN RAIL POWER PEAK-P	1.0000	EA		B	3721	08-01-1996		
4	575922	CONN. FEMALE 11 POSITION	2.0000	EA		B	3721	08-01-1996		
2	477112	LABEL, COVER, DIN BOX	1.0000	EA		B	4909	06-11-2003		
2	C11190	DECAY RATE POT/ CONNECTOR	1.0000	EA		M P	3671	04-08-1996		
3	LDN003	DECAY RATE POT/ CONN. ASS	1.0000	EA		M P	4030	10-08-1997		
4	514592	POT. 50K OHM 1T 1/2W 10%	1.0000	EA		B				
4	LDN003/01	SEE EXTENDED DESCRIPTION	0.0000	EA		M P				
4	302479000	WIRE 24AWG VIO/WHITE STRA	1.0000	IN		B				
4	302409000	WIRE 24AWG BLK/WHITE STRA	1.0000	IN		B				
4	302459000	WIRE 24AWG GRN/WHITE STRA	1.0000	IN		B				
4	574662	CONN. CONTACT 20-24 AWG C	3.0000	EA		B				
4	574692	CONN. HOUSING 5 POSITION-	1.0000	EA		B				
2	C11189	RESPONSE TIME POT/ CONNEC	1.0000	EA		M P	3671	04-08-1996		
3	LDN002	RESP. TIME POT/ CONN. ASS	1.0000	EA		M P				
4	514602	POT. 5M OHM 1T 1/2W 20% P	1.0000	EA		B				
4	302440000	WIRE 24AWG YEL/BLACK STRA	1.0000	IN		B				
4	302460000	WIRE 24AWG BLU/BLACK STRA	1.0000	IN		B				
4	302430000	WIRE 24AWG ORG/BLACK STRA	1.0000	IN		B				
4	574662	CONN. CONTACT 20-24 AWG C	3.0000	EA		B				
4	574682	CONN. HOUSING 4 POSITION-	1.0000	EA		B				
2	C11188	EMISSIVITY POT/ CONNECTOR	1.0000	EA		M P	3671	04-08-1996		
3	LDN001	EMISSIVITY POT/ CONN. ASS	1.0000	EA		M P	3767	08-07-1996		
4	513722	POT. 100K 2 DIGIT 1% DIGI	1.0000	EA		B	3767	08-07-1996		
4	30245X000	WIRE 24AWG GREEN STRANDED	1.0000	IN		B	3767	08-07-1996		
4	30249X000	WIRE 24AWG WHITE STRANDED	1.0000	IN		B	3767	08-07-1996		
4	30246X000	WIRE 24AWG BLUE STRANDED	1.0000	IN		B	3767	08-07-1996		
4	574662	CONN. CONTACT 20-24 AWG C	3.0000	EA		B	3767	08-07-1996		
4	574672	CONN. HOUSING 3 POSITION-	1.0000	EA		B	3767	08-07-1996		
4	477212	LABEL - CLEAR WINDOW	1.0000	EA		B	3767	08-07-1996		
2	575852	KNOB, 9MM COLLET TYPE,	2.0000	EA		B	3671	04-08-1996		
2	575872	POINTER, 9MM COLLET TYPE	2.0000	EA		B	3671	04-08-1996		
2	575862	CAP. 9MM COLLET TYPE KNOB	2.0000	EA		B	3671	04-08-1996		
2	C11194	MODULE ASSEMBLY - M1 - (I	1.0000	EA		M P	3671	04-08-1996		

Number :DN#33022 - IRCON INFRARAIL IRT SO-LI: 93116*1

.....Level.....	..Part Number..Description.....	.Quantity.	.UM.	Alt.	MB X	.ECO No.	.ECO Date.	.Start Use	.End Use..
						UM				
3	573912	HEADER 40 PIN DIP .6 CENT	1.0000	EA		B				
3	T-C11194-1	SELECT "M1" MODULE VALUES	0.0000	EA		B				
3	T-C11194-3	GT M1 MODULE VALUES	0.0000	EA		B				
2	575912	CONN. KEYING ELEMENT (DN-	2.0000	EA		B	3671	04-08-1996		
2	477132	LABEL, SERIAL NUMBER, DIN	1.0000	EA		B	3671	04-08-1996		
2	477122	LABEL, DIN BOX, INFRARAIL	1.0000	EA		B	3671	04-08-1996		
2	574082	TERM. BLOCK JUMPER QUICK	1.0000	EA		B	3671	04-08-1996		
2	LDNKIT	MTG CLIP KIT FOR INFRARAI	1.0000	EA		M P	3671	04-08-1996		
3	990300010	CLIP MTG FOR DIN BOX	2.0000	EA		B	3694	04-17-1996		
3	LDNKIT/01	SEE EXTENDED DESCRIPTION	0.0000	EA		M P				
2	477182	LABEL-CE MARK (PRODUCTS)	1.0000	EA		B	3671	04-08-1996		

W.O. #24007

Number :DN-HO#34053 - IRCON INFRARAIL IRT SO-LI: 93746*1

Level	Part Number	Description	Quantity	UM	Alt.	MB X	ECO No.	ECO Date	Start Use	End Use
1	DNIDNE	DN PRICES	1.0000	EA		M P				
1	C11201-R727	SENSING HEAD FINAL ASSY	1.0000	EA		M P				
2	451923	FIELD STOP .044DIA	1.0000	EA		B	3709	05-17-1996		
2	C11201/01	SEE EXTENDED DESCRIPTION	0.0000	EA		M				
2	990300005	RETAINING RING 7/16 OD, .2	1.0000	EA		B	3709	05-17-1996		
2	431442	DET. LOCATOR MOD2	1.0000	EA		B	3709	05-17-1996		
2	C11209	SH DETECTOR ASSEMBLY (E-S	1.0000	EA		M P	3709	05-17-1996		
3	L13354	SH DETECTOR ASSEMBLY E-SE	1.0000	EA		M P				
4	431432	DET. HOLDER MR20 SERIES	1.0000	EA		B	3770	08-21-1996		
4	640642	FILTER, BANDPASS	1.0000	EA		B	3770	08-21-1996		
4	590672	DET. SI VACTEC 21D459	1.0000	EA		B	3770	08-21-1996		
4	560372	CABLE PVC 1 COND SHIELD 2	3.0000	IN		B	3770	08-21-1996		
4	312430100	WIRE 24AWG BARE SOLID	1.0000	IN		B	3770	08-21-1996		
4	430292	CONN. GASKET 2000 SERIES	1.0000	EA		B	3770	08-21-1996		
4	575892	CONN. CIRC 3 RECPT 10SL-3	1.0000	EA		B	3770	08-21-1996		
4	490042	SPRING DETECTOR RETAINER	1.0000	EA		B	3770	08-21-1996		
4	630092	FOLDING MIRROR SH MROA SE	1.0000	EA		B	3770	08-21-1996		
4	490032	SPRING FOLDING MIRROR MOD	1.0000	EA		B	3770	08-21-1996		
4	200204130	SCREW #2-56 X 1/8 PH SLOT	1.0000	EA		B	3770	08-21-1996		
4	990100016	EPOXY HARDMAN #4001 3-5 M	1.0000	EA		B	3770	08-21-1996		
4	3214G00X0	TUBING #14 PVC CLEAR	1.0000	IN		B	3770	08-21-1996		
4	320811000	BLACK HEAT SHRINK TUBING	1.0000	IN		B				
2	447352	SENSOR, E-HEAD	1.0000	EA		B	3709	05-17-1996		
2	610432	EYE LENS FOR A HEAD	1.0000	EA		B	3709	05-17-1996		
2	990100002	EPOXY HARDMAN #4005 GEN P	1.0000	EA		B	3709	05-17-1996		
2	447372	FIELD STOP, .312 DIA	1.0000	EA		B	3709	05-17-1996		
2	447382	FIELD STOP, .437 DIA	1.0000	EA		B	3709	05-17-1996		
2	610412	LENS PLANO CONVEX 5" F/L	1.0000	EA		B	3709	05-17-1996		
2	431752	O RING 13/16 X 1/16 TH 70	1.0000	EA		B	3709	05-17-1996		
2	447362	LENS RING E-HEAD SENSOR	1.0000	EA		B	3709	05-17-1996		
2	200412440	SCREW #4-40 X 3/8 FIL SLO	4.0000	EA		B	3709	05-17-1996		
2	220403200	WASHER #4 LOCK SPLIT RING	4.0000	EA		B	3709	05-17-1996		
2	454152	SCREW, ADJUSTMENT,	1.0000	EA		B	3709	05-17-1996		
2	433372	O RING 3/32 X 7/32 X 1/16	1.0000	EA		B	3709	05-17-1996		
2	220602200	WASHER #6 LOCK EXT TOOTH	1.0000	EA		B	3709	05-17-1996		
2	200606040	SCREW #6-32 X 3/16 PH SLO	1.0000	EA		B	3709	05-17-1996		
2	C11201/02	SEE EXTENDED DESCRIPTION	0.0000	EA		M				
2	443502	RETAINING NUT	1.0000	EA		B	3709	05-17-1996		
2	477142	LABEL, SERIAL NUMBER, SEN	1.0000	EA		B	3709	05-17-1996		
2	474772	LABEL GROUND WARNING	1.0000	EA		B	3709	05-17-1996		
2	T-C11201-1	DETERMINE IF CABLE IS REQ	0.0000	EA		B	3709	05-17-1996		
2	C11201/03	SEE EXTENDED DESCRIPTION	0.0000	EA		M				
2	999900013	CAP PLUG #SC-1-1/4	1.0000	EA		B	3709	05-17-1996		
2	990100028	SEALANT RTV SILICONE BLAC	1.0000	EA		B	3709	05-17-1996		
2	999900014	STEM BUMPER 3/8OD .275T	1.0000	EA		B	3709	05-17-1996		

?
Should
be
R713

R729 (sensor Only)

W.O.# 24001

Number :DN-HO#33942 - IRCON INFRARAIL IRT SO-LI: 93688*1

Level	Part Number	Description	Quantity	UM	Alt	MB X	ECO No.	ECO Date	Start Use	End Use
1	DN1DNE	DN PRICES	1.0000	EA		M P				
1	C11201-R713	SENSING HEAD FINAL ASSY	1.0000	EA		M P				
2	451323	FIELD STOP .044DIA	1.0000	EA		B	3709	05-17-1996		
2	C11201/01	SEE EXTENDED DESCRIPTION	0.0000	EA		M				
2	990300005	RETAINING RING 7/16 OD, .2	1.0000	EA		B	3709	05-17-1996		
2	431442	DET. LOCATOR MOD2	1.0000	EA		B	3709	05-17-1996		
2	C11209-R707	SH DETECTOR ASSEMBLY E HD	1.0000	EA		M P	3709	05-17-1996		
3	LR721-D	DET ASSY FOR SPL# R721	1.0000	EA		M P	3770	08-21-1996		
4	LR721-D/01	SEE EXTENDED DESCRIPTION	0.0000	EA		M P				
4	431432	DET. HOLDER MR20 SERIES	1.0000	EA		B				
4	640552	FILTER, BANDPASS	1.0000	EA		B				
4	590942	DETECTOR InGaAs 1.6u	1.0000	EA		B				
4	LR721-D/02	SEE EXTENDED DESCRIPTION	0.0000	EA		M P				
4	560372	CABLE PVC 1 COND SHIELD 2	3.0000	IN		B				
4	312430100	WIRE 24AWG BARE SOLID	1.0000	IN		B				
4	430292	CONN. GASKET 2000 SERIES	1.0000	EA		B				
4	575892	CONN. CIRC 3 RECPT 10SL-3	1.0000	EA		B				
4	490042	SPRING DETECTOR RETAINER	1.0000	EA		B				
4	630092	FOLDING MIRROR SH MROA SE	1.0000	EA		B				
4	490032	SPRING FOLDING MIRROR MOD	1.0000	EA		B				
4	200204130	SCREW #2-56 X 1/8 PH SLOT	1.0000	EA		B				
4	990100016	EPOXY HARDMAN #4001 3-5 M	1.0000	EA		B				
4	3214G00X0	TUBING #14 PVC CLEAR	1.0000	IN		B				
2	447352	SENSOR, E-HEAD	1.0000	EA		B	3709	05-17-1996		
2	610432	EYE LENS FOR A HEAD	1.0000	EA		B	3709	05-17-1996		
2	990100002	EPOXY HARDMAN #4005 GEN P	1.0000	EA		B	3709	05-17-1996		
2	447372	FIELD STOP, .312 DIA	1.0000	EA		B	3709	05-17-1996		
2	447382	FIELD STOP, .437 DIA	1.0000	EA		B	3709	05-17-1996		
2	610402	LENS PLANO CONVEX 30" F/L	1.0000	EA		B	3709	05-17-1996		
2	431752	O RING 13/16 X 1/16 TH 70	1.0000	EA		B	3709	05-17-1996		
2	447362	LENS RING E-HEAD SENSOR	1.0000	EA		B	3709	05-17-1996		
2	200412440	SCREW #4-40 X 3/8 FIL SLO	4.0000	EA		B	3709	05-17-1996		
2	220403200	WASHER #4 LOCK SPLIT RING	4.0000	EA		B	3709	05-17-1996		
2	454152	SCREW, ADJUSTMENT,	1.0000	EA		B	3709	05-17-1996		
2	433372	O RING 3/32 X 7/32 X 1/16	1.0000	EA		B	3709	05-17-1996		
2	220602200	WASHER #6 LOCK EXT TOOTH	1.0000	EA		B	3709	05-17-1996		
2	200606040	SCREW #6-32 X 3/16 PH SLO	1.0000	EA		B	3709	05-17-1996		
2	C11201/02	SEE EXTENDED DESCRIPTION	0.0000	EA		M				
2	443502	RETAINING NUT	1.0000	EA		B	3709	05-17-1996		
2	477142	LABEL, SERIAL NUMBER, SEN	1.0000	EA		B	3709	05-17-1996		
2	474772	LABEL GROUND WARNING	1.0000	EA		B	3709	05-17-1996		
2	T-C11201-1	DETERMINE IF CABLE IS REQ	0.0000	EA		B	3709	05-17-1996		
2	C11201/03	SEE EXTENDED DESCRIPTION	0.0000	EA		M				
2	999900013	CAP PLUG #SC-1-1/4	1.0000	EA		B	3709	05-17-1996		
2	990100028	SEALANT RTV SILICONE BLAC	1.0000	EA		B	3709	05-17-1996		
2	999900014	STEM BUMPER 3/8OD .275T	1.0000	EA		B	3709	05-17-1996		

OK

R 729
(Sensor Only)

U.O.# 16201

Number :DN#21015 - IRCON INFRARAIL IRT SO-LI: 85376*1

Level	Part Number	Description	Quantity	UM	Alt	MB X	ECO No.	ECO Date	Start Use	End Use
1	DN0DNE	DN PRICES	1.0000	EA		M P				
1	C11201-R713	SENSING HEAD FINAL ASSY	1.0000	EA		M P				
2	451323	FIELD STOP .044DIA	1.0000	EA		B	3709	05-17-1996		
2	C11201/01	SEE EXTENDED DESCRIPTION	0.0000	EA		M				
2	990300005	RETAINING RING 7/16 OD, .2	1.0000	EA		B	3709	05-17-1996		
2	431442	DET. LOCATOR MOD2	1.0000	EA		B	3709	05-17-1996		
2	C11209-R707	SH DETECTOR ASSEMBLY E HD	1.0000	EA		M P	3709	05-17-1996		
3	LR721-D	DET ASSY FOR SPL# R721	1.0000	EA		M P	3770	08-21-1996		
4	LR721-D/01	SEE EXTENDED DESCRIPTION	0.0000	EA		M P				
4	431432	DET. HOLDER MR20 SERIES	1.0000	EA		B				
4	640552	FILTER, BANDPASS	1.0000	EA		B				
4	590942	DETECTOR InGaAs 1.6u	1.0000	EA		B				
4	LR721-D/02	SEE EXTENDED DESCRIPTION	0.0000	EA		M P				
4	560372	CABLE PVC 1 COND SHIELD 2	3.0000	IN		B				
4	312430100	WIRE 24AWG BARE SOLID	1.0000	IN		B				
4	430292	CONN. GASKET 2000 SERIES	1.0000	EA		B				
4	575892	CONN. CIRC 3 RECPT 10SL-3	1.0000	EA		B				
4	490042	SPRING DETECTOR RETAINER	1.0000	EA		B				
4	630092	FOLDING MIRROR SH MROA SE	1.0000	EA		B				
4	490032	SPRING FOLDING MIRROR MOD	1.0000	EA		B				
4	200204130	SCREW #2-56 X 1/8 PH SLOT	1.0000	EA		B				
4	990100016	EPOXY HARDMAN #4001 3-5 M	1.0000	EA		B				
4	3214G00X0	TUBING #14 PVC CLEAR	1.0000	IN		B				
2	447352	SENSOR, E-HEAD	1.0000	EA		B	3709	05-17-1996		
2	610432	EYE LENS FOR A HEAD	1.0000	EA		B	3709	05-17-1996		
2	990100002	EPOXY HARDMAN #4005 GEN P	1.0000	EA		B	3709	05-17-1996		
2	447372	FIELD STOP, .312 DIA	1.0000	EA		B	3709	05-17-1996		
2	447382	FIELD STOP, .437 DIA	1.0000	EA		B	3709	05-17-1996		
2	610402	LENS PLANO CONVEX 30" F/L	1.0000	EA		B	3709	05-17-1996		
2	431752	O RING 13/16 X 1/16 TH 70	1.0000	EA		B	3709	05-17-1996		
2	447362	LENS RING E-HEAD SENSOR	1.0000	EA		B	3709	05-17-1996		
2	200412440	SCREW #4-40 X 3/8 FIL SLO	4.0000	EA		B	3709	05-17-1996		
2	220403200	WASHER #4 LOCK SPLIT RING	4.0000	EA		B	3709	05-17-1996		
2	454152	SCREW, ADJUSTMENT,	1.0000	EA		B	3709	05-17-1996		
2	433372	O RING 3/32 X 7/32 X 1/16	1.0000	EA		B	3709	05-17-1996		
2	220602200	WASHER #6 LOCK EXT TOOTH	1.0000	EA		B	3709	05-17-1996		
2	200606040	SCREW #6-32 X 3/16 PH SLO	1.0000	EA		B	3709	05-17-1996		
2	C11201/02	SEE EXTENDED DESCRIPTION	0.0000	EA		M				
2	443502	RETAINING NUT	1.0000	EA		B	3709	05-17-1996		
2	477142	LABEL, SERIAL NUMBER, SEN	1.0000	EA		B	3709	05-17-1996		
2	474772	LABEL GROUND WARNING	1.0000	EA		B	3709	05-17-1996		
2	T-C11201-1	DETERMINE IF CABLE IS REQ	0.0000	EA		B	3709	05-17-1996		
2	C11201/03	SEE EXTENDED DESCRIPTION	0.0000	EA		M				
2	999900013	CAP PLUG #SC-1-1/4	1.0000	EA		B	3709	05-17-1996		
2	990100028	SEALANT RTV SILICONE BLAC	1.0000	EA		B	3709	05-17-1996		
2	999900014	STEM BUMPER 3/8OD .275T	1.0000	EA		B	3709	05-17-1996		
1	D11198	PVC-(INT/EXT-E/F SERIES) (1.0000	EA		M P				
2	560052	CABLE PVC 2 COND 1100/200	1.0000	FT		B	3913	04-02-1997		
2	D11198/01	SEE EXTENDED DESCRIPTION	0.0000	EA		M				
2	D11198/02	SEE EXTENDED DESCRIPTION	0.0000	EA		M				
2	D11198/03	SEE EXTENDED DESCRIPTION	8.0000	EA		M				
2	575882	CONN. CIRC 10SL-3 BACKSHE	1.0000	EA		B	3913	04-02-1997		
2	3210G00X0	TUBING #10 PVC CLEAR	3.0000	IN		B	3913	04-02-1997		
2	3212G00X0	TUBING #12 PVC CLEAR	1.0000	IN		B	3913	04-02-1997		
2	575902	CONN. CIRC 10SL-3 STR PLU	1.0000	EA		B	3913	04-02-1997		
2	3216I1400	TUBING 1/4" SHRINKABLE BL	1.0000	IN		B	3913	04-02-1997		
2	990100027	ADHESIVE LOCTITE 272	1.0000	EA		B	3913	04-02-1997		
2	C-CABLE	DETERMINE CABLE LENGTH FR	1.0000	EA		M P	3913	04-02-1997		
2	477202	LABEL INFRARAIL (2.0" X 0	1.0000	EA		B	3913	04-02-1997		
1	U-D11198-C	12 FEET OF CABLE	1.0000	EA		M P				
2	560052	CABLE PVC 2 COND 1100/200	12.0000	FT		B				
1	U-M1-R729	MODULE ASSY M1-INFRARAIL	1.0000	EA		M P				
2	102103011	RES. 210K OHM MF 1/4W 1%	1.0000	EA		B				
2	101872011	RES. 18.7K OHM MF 1/4W 1%	1.0000	EA		B				
2	101243011	RES. 124K OHM MF 1/4W 1%	1.0000	EA		B				
2	101502011	RES. 15.0K OHM MF 1/4W 1%	1.0000	EA		B				
2	105902011	RES. 59.0K OHM MF 1/4W 1%	1.0000	EA		B				
2	101002011	RES. 10.0K OHM MF 1/4W 1%	1.0000	EA		B				

R729

Number :DN#21015 - IRCON INFRARAIL IRT SO-LI: 85376*1

Level	Part Number	Description	Quantity	UM	Alt	MB X	ECO No.	ECO Date	Start Use	End Use
2	109532011	RES. 95.3K OHM MF 1/4W 1%	1.0000	EA		B				
2	106341011	RES. 6.34K OHM MF 1/4W 1%	1.0000	EA		B				
2	101583011	RES. 158K OHM MF 1/4W 1%	1.0000	EA		B				
2	103831011	RES. 3.83K OHM MF 1/4W 1%	1.0000	EA		B				
2	102743011	RES. 274K OHM MF 1/4W 1%	1.0000	EA		B				
2	102151011	RES. 2.15K OHM MF 1/4W 1%	1.0000	EA		B				
2	104873011	RES. 487K OHM MF 1/4W 1%	1.0000	EA		B				
2	101211011	RES. 1.21K OHM MF 1/4W 1%	1.0000	EA		B				
2	109093011	RES. 909K OHM MF 1/4W 1%	1.0000	EA		B				
2	106340011	RES. 634 OHM MF 1/4W 1%	1.0000	EA		B				
2	101744011	RES. 1.74M OHM MF 1/4W 1%	1.0000	EA		B				
2	103320011	RES. 332 OHM MF 1/4W 1%	1.0000	EA		B				
2	102870011	RES. 287 OHM MF 1/4W 1%	1.0000	EA		B				
2	103574011	RES. 3.57M OHM MF 1/4W 1%	1.0000	EA		B				
1	D11191	INFRARAIL BOX ASSEMBLY	1.0000	EA		M P				
2	433332	ENCLOSURE, DIN BOX, MODIF	1.0000	EA		B	3671	04-08-1996		
2	C11187	POWER SUPPLY/ PEAK-PICKER	1.0000	EA		M P	3671	04-08-1996		
3	C20212	SCHEMATIC: POWER SUPPLY/	1.0000	EA		M P	4202	01-14-1999		
3	LDN200	PWR SUPPLY/ PP PCB ASSY	1.0000	EA		M P	4202	01-14-1999		
4	502505	PCB DIN RAIL POWER PEAK-P	1.0000	EA		B	3769	08-05-1996		
4	LDN200/01	SEE EXTENDED DESCRIPTION	0.0000	EA		M P				
4	533082	TRAN. MJE800 NPN - DARLIN	1.0000	EA		B	3769	08-05-1996		
4	LDN200/02	SEE EXTENDED DESCRIPTION	0.0000	EA		M P				
4	LDN200/03	SEE EXTENDED DESCRIPTION	0.0000	EA		M P				
4	530882	DIODE 1N4002 GP RECTIFIER	1.0000	EA		B	3769	08-05-1996		
4	532952	OP-AMP ULTRA LOW BIAS	2.0000	EA		B	3769	08-05-1996		
4	532322	IC 4053B ANALOG MUX/DEMUX	1.0000	EA		B	4842	07-31-2002		
4	531862	OP-AMP LM346N PROGRAM QUA	1.0000	EA		B	3769	08-05-1996		
4	102493011	RES. 249K OHM MF 1/4W 1%	1.0000	EA		B	3769	08-05-1996		
4	103321011	RES. 3.32K OHM MF 1/4W 1%	1.0000	EA		B	3769	08-05-1996		
4	101820011	RES. 182 OHM MF 1/4W 1%	1.0000	EA		B	3769	08-05-1996		
4	104421011	RES. 4.42K OHM MF 1/4W 1%	1.0000	EA		B	3769	08-05-1996		
4	106654011	RES. 6.65M OHM MF 1/4W 1%	1.0000	EA		B	3769	08-05-1996		
4	104993011	RES. 499K OHM MF 1/4W 1%	1.0000	EA		B	3769	08-05-1996		
4	104021011	RES. 4.02K OHM MF 1/4W 1%	1.0000	EA		B	3769	08-05-1996		
4	105364011	RES. 5.36M OHM MF 1/4W 1%	2.0000	EA		B	3769	08-05-1996		
4	103480011	RES. 348 OHM MF 1/4W 1%	1.0000	EA		B	3769	08-05-1996		
4	100000990	JUMPER DUMMY RESISTOR	5.0000	EA		B	3769	08-05-1996		
4	101000011	RES. 100 OHM MF 1/4W 1%	1.0000	EA		B	3769	08-05-1996		
4	101003011	RES. 100K OHM MF 1/4W 1%	1.0000	EA		B	3769	08-05-1996		
4	101004011	RES. 1.00M OHM MF 1/4W 1%	4.0000	EA		B	3769	08-05-1996		
4	102003011	RES. 200K OHM MF 1/4W 1%	2.0000	EA		B	3769	08-05-1996		
4	104991011	RES. 4.99K OHM MF 1/4W 1%	1.0000	EA		B	3769	08-05-1996		
4	101503011	RES. 150K OHM MF 1/4W 1%	1.0000	EA		B				
4	530572	DIODE 1N4446 SWITCHING	2.0000	EA		B	4906	05-19-2003		
4	530532	DIODE FD300 GENERAL PURPO	1.0000	EA		B	3769	08-05-1996		
4	521852	CAP. 0.68 MFD 50V CERAMIC	1.0000	EA		B	3769	08-05-1996		
4	521972	CAP. .047 MFD 50V CER X7	1.0000	EA		B	3769	08-05-1996		
4	521072	CAP. 22MFD 16V TANT 10%	2.0000	EA		B	3769	08-05-1996		
4	551122	CHOKO 9250-122 1.2 UH, .1	2.0000	EA		B	3769	08-05-1996		
4	521902	CAP. NPO 1000pf 200V .2LS	1.0000	EA		B	3769	08-05-1996		
4	521862	CAP. 3.3 MFD 50V CERAMC X	1.0000	EA		B	3769	08-05-1996		
4	521872	CAP. 1.0 MFD 50V CERAMIC	5.0000	EA		B	3769	08-05-1996		
4	522002	CAP. .01 MFD 200V CERAMIC	6.0000	EA		B	3769	08-05-1996		
4	531892	REG. LM317LZ +1.2/37V ADJ	1.0000	EA		B	3769	08-05-1996		
4	431902	BIVAR PERMO PAD 0.250 DIA	1.0000	EA		B	3769	08-05-1996		
4	530862	TRAN. 2N2222A NPN MED POW	1.0000	EA		B	3769	08-05-1996		
4	551152	INDUCTOR 100UH +/-10% IMS	2.0000	EA		B	3769	08-05-1996		
4	531882	DIODE LM385BZ-2.5 2.5V RE	6.0000	EA		B	3769	08-05-1996		
4	575602	CONN. HDR AMP STRAIGHT 5	1.0000	EA		B	3769	08-05-1996		
4	574592	CONN. HDR AMP STRAIGHT 4	1.0000	EA		B	3769	08-05-1996		
4	LDN200/04	SEE EXTENDED DESCRIPTION	0.0000	EA		M P				
4	572732	HEADER SNGL 36 PIN .1 CNT	11.0000	EA		B	3769	08-05-1996		
4	LDN200/05	SEE EXTENDED DESCRIPTION	0.0000	EA		M P				
2	C11186	PREAMP/ LINEARIZER PCB AS	1.0000	EA		M P	3671	04-08-1996		
3	C20211	SCHEMATIC: PREAMP/ LINEAR	1.0000	EA		M P	4785	03-05-2002		
3	LDN100	PREAMP/ LIN PCB ASSY INFR	1.0000	EA		M P	3659	04-12-1996		
4	502493	PCB DIN RAIL LINEARIZER	1.0000	EA		B	3767	08-07-1996		

Number :DN#21015 - IRCON INFRARAIL IRT SO-LI: 85376*1

Level	Part Number	Description	Quantity	UM	Alt	MB	X	ECO No.	ECO Date	Start Use	End Use
4	LDN100/01	SEE EXTENDED DESCRIPTION	0.0000	EA		M	P				
4	LDN100/02	SEE EXTENDED DESCRIPTION	0.0000	EA		M	P				
4	532982	OP-AMP AD548CQ LOW PWR	1.0000	EA		B		3767	08-07-1996		
4	531862	OP-AMP LM346N PROGRAM QUA	3.0000	EA		B		3767	08-07-1996		
4	530532	DIODE FD300 GENERAL PURPO	16.0000	EA		B		3767	08-07-1996		
4	514632	RES. 330K NETWORK 10 PIN	2.0000	EA		B		3767	08-07-1996		
4	514642	RES. 330K NETWORK 10 PIN	2.0000	EA		B		3767	08-07-1996		
4	104533011	RES. 453K OHM MF 1/4W 1%	1.0000	EA		B		3767	08-07-1996		
4	1010R0011	RES. 10.0 OHM MF 1/4W 1%	1.0000	EA		B		3767	08-07-1996		
4	102743011	RES. 274K OHM MF 1/4W 1%	1.0000	EA		B		3767	08-07-1996		
4	102103011	RES. 210K OHM MF 1/4W 1%	1.0000	EA		B		3767	08-07-1996		
4	105364011	RES. 5.36M OHM MF 1/4W 1%	6.0000	EA		B		3767	08-07-1996		
4	101002011	RES. 10.0K OHM MF 1/4W 1%	1.0000	EA		B		3767	08-07-1996		
4	101003011	RES. 100K OHM MF 1/4W 1%	1.0000	EA		B		3767	08-07-1996		
4	102003011	RES. 200K OHM MF 1/4W 1%	2.0000	EA		B		3767	08-07-1996		
4	101000011	RES. 100 OHM MF 1/4W 1%	2.0000	EA		B		3767	08-07-1996		
4	100000990	JUMPER DUMMY RESISTOR	1.0000	EA		B		3767	08-07-1996		
4	551122	CHOKE 9250-122 1.2 UH, .1	1.0000	EA		B		3767	08-07-1996		
4	540412	FERRITE BEAD ON LEAD AXIA	3.0000	EA		B		3767	08-07-1996		
4	522002	CAP. .01 MFD 200V CERAMIC	7.0000	EA		B		3767	08-07-1996		
4	521902	CAP. NPO 1000pf 200V .2LS	2.0000	EA		B		3767	08-07-1996		
4	521932	CAP. 100 PF COG 200V	1.0000	EA		B		3767	08-07-1996		
4	521962	CAP. 10Pf NPO 200V .2LS	2.0000	EA		B		3767	08-07-1996		
4	514612	POT. 50K 25T 1/2W 10%	1.0000	EA		B		3767	08-07-1996		
4	514242	POT. 25K OHM 25T 1/2W 10%	1.0000	EA		B		3767	08-07-1996		
4	514622	POT. 100K 25T 1/2W 10%	1.0000	EA		B		3767	08-07-1996		
4	574922	CONN. HDR AMP STRAIGHT 3	1.0000	EA		B		3767	08-07-1996		
4	LDN100/03	SEE EXTENDED DESCRIPTION	0.0000	EA		M	P				
4	574432	SOCKET 40 POS DIP .5HT EL	1.0000	EA		B		3767	08-07-1996		
4	LDN100/04	SEE EXTENDED DESCRIPTION	0.0000	EA		M	P				
4	526002	CAP. SMC 330PF NPO 50V 5%	1.0000	EA		B		3767	08-07-1996		
4	572732	HEADER SNGL 36 PIN .1 CNT	11.0000	EA		B		3767	08-07-1996		
4	LDN100/05	SEE EXTENDED DESCRIPTION	0.0000	EA		M	P				
2	C11193	PCB INTERCONNECT ASSEMBLY	1.0000	EA		M	P	3671	04-08-1996		
3	LDN300	PCB INTERCONN ASSY (INFRA	1.0000	EA		M	P				
4	502533	PCB DIN RAIL POWER PEAK-P	1.0000	EA		B		3721	08-01-1996		
4	575922	CONN. FEMALE 11 POSITION	2.0000	EA		B		3721	08-01-1996		
2	477112	LABEL, COVER, DIN BOX	1.0000	EA		B		4909	06-11-2003		
2	C11190	DECAY RATE POT/ CONNECTOR	1.0000	EA		M	P	3671	04-08-1996		
3	LDN003	DECAY RATE POT/ CONN. ASS	1.0000	EA		M	P	4030	10-08-1997		
4	514592	POT. 50K OHM 1T 1/2W 10%	1.0000	EA		B					
4	LDN003/01	SEE EXTENDED DESCRIPTION	0.0000	EA		M	P				
4	302479000	WIRE 24AWG VIO/WHITE STRA	1.0000	IN		B					
4	302409000	WIRE 24AWG BLK/WHITE STRA	1.0000	IN		B					
4	302459000	WIRE 24AWG GRN/WHITE STRA	1.0000	IN		B					
4	574662	CONN. CONTACT 20-24 AWG C	3.0000	EA		B					
4	574692	CONN. HOUSING 5 POSITION-	1.0000	EA		B					
2	C11189	RESPONSE TIME POT/ CONN	1.0000	EA		M	P	3671	04-08-1996		
3	LDN002	RESP. TIME POT/ CONN. ASS	1.0000	EA		M	P				
4	514602	POT. 5M OHM 1T 1/2W 20% P	1.0000	EA		B					
4	302440000	WIRE 24AWG YEL/BLACK STRA	1.0000	IN		B					
4	302460000	WIRE 24AWG BLU/BLACK STRA	1.0000	IN		B					
4	302430000	WIRE 24AWG ORG/BLACK STRA	1.0000	IN		B					
4	574662	CONN. CONTACT 20-24 AWG C	3.0000	EA		B					
4	574682	CONN. HOUSING 4 POSITION-	1.0000	EA		B					
2	C11188	EMISSIVITY POT/ CONNECTOR	1.0000	EA		M	P	3671	04-08-1996		
3	LDN001	EMISSIVITY POT/ CONN. ASS	1.0000	EA		M	P	3767	08-07-1996		
4	513722	POT. 100K 2 DIGIT 1% DIGI	1.0000	EA		B		3767	08-07-1996		
4	30245X000	WIRE 24AWG GREEN STRANDED	1.0000	IN		B		3767	08-07-1996		
4	30249X000	WIRE 24AWG WHITE STRANDED	1.0000	IN		B		3767	08-07-1996		
4	30246X000	WIRE 24AWG BLUE STRANDED	1.0000	IN		B		3767	08-07-1996		
4	574662	CONN. CONTACT 20-24 AWG C	3.0000	EA		B		3767	08-07-1996		
4	574672	CONN. HOUSING 3 POSITION-	1.0000	EA		B		3767	08-07-1996		
4	477212	LABEL - CLEAR WINDOW	1.0000	EA		B		3767	08-07-1996		
2	575852	KNOB, 9MM COLLET TYPE,	2.0000	EA		B		3671	04-08-1996		
2	575872	POINTER, 9MM COLLET TYPE	2.0000	EA		B		3671	04-08-1996		
2	575862	CAP. 9MM COLLET TYPE KNOB	2.0000	EA		B		3671	04-08-1996		
2	C11194	MODULE ASSEMBLY - M1 - (I	1.0000	EA		M	P	3671	04-08-1996		

Number :DN#21015 - IRCON INFRARAIL IRT SO-LI: 85376*1

.....Level.....	..Part Number..Description.....	.Quantity.	.UM.	Alt.	MB X	.ECO No.	.ECO Date.	.Start Use	.End Use..
						UM				
3	573912	HEADER 40 PIN DIP .6 CENT	1.0000	EA		B				
3	T-C11194-1	SELECT "M1" MODULE VALUES	0.0000	EA		B				
3	T-C11194-3	GT M1 MODULE VALUES	0.0000	EA		B				
2	575912	CONN. KEYING ELEMENT (DN-	2.0000	EA		B	3671	04-08-1996		
2	477132	LABEL, SERIAL NUMBER, DIN	1.0000	EA		B	3671	04-08-1996		
2	477122	LABEL, DIN BOX, INFRARAIL	1.0000	EA		B	3671	04-08-1996		
2	574082	TERM. BLOCK JUMPER QUICK	1.0000	EA		B	3671	04-08-1996		
2	LDNKIT	MTG CLIP KIT FOR INFRARAI	1.0000	EA		M P	3671	04-08-1996		
3	990300010	CLIP MTG FOR DIN BOX	2.0000	EA		B	3694	04-17-1996		
3	LDNKIT/01	SEE EXTENDED DESCRIPTION	0.0000	EA		M P				
2	477182	LABEL-CE MARK (PRODUCTS)	1.0000	EA		B	3671	04-08-1996		

IRCON

IRCON, INC. T 847-967-5151
 300 North Natchez Ave T 800-323-7660
 Niles, Illinois 60714 USA F 847-647-0948

Acknowledgment

ORDER DATE: 15 FEB 2007
 REV: DATE:

Customer No. 100426
SOLD TO

IRCON B.V.
 DATABANKWEG 6 C
 3821 AL AMERSFOORT
 THE NETHERLANDS

SHIP TO

HALCOR S.A. METALWORKS
 ATHINON TOWER, 2ND BLDG
 2-4 MESOGEION AVE.
 ATHENS, 11527
 GREECE

SPECIAL SHIPPING INSTRUCTIONS

OUR ORDER No.		YOUR PO No.		F.O.B.		TAX	
93229		1902		ORIGIN		Resale	
SHIP VIA		TERMS		DATE REQUESTED		SALES REPRESENTATIVE	
UPS SCS		0.00/0/180		03-02-07		1001 (100.00)	
LI	PART NO.	PRODUCT/DESCRIPTION	QTY	UNIT PRICE	DISC	NET PRICE	EXTENSION
1	DN#33184 <i>w.o.# 23504</i>	DN_DNE31-13C <i>DNE99-99C</i> IRCON INFRARAIL IRT SYSTEM-COMPLETE Consists of the following: 1.0000 - INFRARAIL 1.0000 - DN - E SERIES 1.0000 - Std Cbl Lgth 4 meters. 12ft 1.0000 - D/100 RESOLUTION (E) 1.0000 - 800-1300C <i>Red Special No R 729</i> <i>Temp range 450-1050C</i> <i>D/50 resolution</i> <i>with cable bracket</i>	2	617.45	0.0	617.45	1234.89
2	MOD-CHARGES	MODIFICATION OF PRODUCT	2	77.18	0.0	77.18	154.36
THIS ORDER IS ACCEPTED SUBJECT TO TERMS AND CONDITIONS SHOWN ON THIS AND THE REVERSE SIDE						GRAND TOTAL	ECU1,389.25

SHIP TO: IRCON, INC.
 7300 N. NATCHEZ AVE.
 NILES, IL 60714 USA

IF TAX EXEMPT, PLEASE PROVIDE COPY OF
 EXEMPTION OR DIRECT PAYMENT CERTIFICATE



IRCON, INC.
7300 North Natchez Avenue
Niles, Illinois 60714 USA

Telephone 847-967-5151
Toll Free 800-323-7660
Fax 847-647-0948

ISO 9001/QS 9000 TE
Quality Systems Certified

Modified Standard Product Data Form

A modified standard product is a product that is based on a standard product found in the most recent price list. The modifications maybe items such as; temperature ranges, output types, resolution, response time and optical issues. A modified standard product form is to be completed and submitted to Steve Schumm and Gene Kalley for review and approval based on the modification (which we have done before). If the modification has not been done before, the approval will require the entire senior management team's approval BEFORE QUOTING. A modified standard product if approved; this product will become a price listed standard product. We can then pay commission as outlined in our most recent contract.

- Standard Product is a Model Number: RNE31-13C
- Standard Product List Price: \$ 800
- The product change requested would be: Reds R729, 450-1050C
0/50 cable B column Sales will attach specifics to this form.
- The market is willing to pay \$900 for this product (total including standard price).
- What is engineering's expected time investment and cost: 1 HOUR Man Days
\$ 100⁰⁰
- What is production's expected purchasing and production time requirement: _____ Days
- This new product has potential in the following application and estimated potential per year would be _____ per year.

- This product will be not be _____ quoted and produced as previously outlined.
- Agreed on this date of _____ By production/purchasing _____
By engineering A. DONADO 2/16/07
- Sales can now quote this project for \$ _____ per unit. W.O.# 23504
_____ lead time.

_____ Add to standard product list in literature (Maxine)
_____ Add to price list (Vern)
cc/ Greg P, Paul V, Regional Sales Staff Globally



Acknowledgment

IRCON, INC T 847-967-5151
 7300 North Natchez Ave T 800-323-7660
 Niles, Illinois 60714 USA F 847-647-0948

ORDER DATE: 09 MAY 2007
 REV: DATE:

Customer No. 003639
 SOLD TO

SHIP TO

PEI MIDSOUTH, INC.
 SUITE 304
 201 HOLIDAY BLVD.
 COVINGTON, LA 70433

PEI MIDSOUTH, INC.
 SUITE 304
 201 HOLIDAY BLVD.
 COVINGTON, LA 70433

SPECIAL SHIPPING INSTRUCTIONS

OUR ORDER No.		YOUR PO No.		F.O.B.		TAX	
93895		07-20280		ORIGIN		Resale	
SHIP VIA		TERMS		DATE REQUESTED	SALES REPRESENTATIVE		
UPS		0.00/0/30		05-31-07	1249 (100.00)		
LI	PART NO.	PRODUCT/DESCRIPTION	QTY	UNIT PRICE	DISC	NET PRICE	EXTENSION
1	DN-HO#34324 <i>w.o. # 24249</i>	DN_DNE31-13C <i>PNE99-99C</i> IRCON INFRARAIL IRT SENSING HEAD ONLY Consists of the following: 1.0000 - INFRARAIL HEAD ONLY 1.0000 - DN - E SERIES 1.0000 - D/100 RESOLUTION (E) 1.0000 - 800-1300C	1	1630.00	0.0	1630.00	1630.00
				<i>Reds 2pc No R 729</i> <i>Temp range 450-1050C</i> <i>D/50 resolution</i> <i>cable break alarm</i> <i>Rob</i> <i>5/10</i>			
THIS ORDER IS ACCEPTED SUBJECT TO TERMS AND CONDITIONS SHOWN ON THIS AND THE REVERSE SIDE					GRAND TOTAL		USD1,630.00

SHIP TO: IRCON, INC.
 7300 N. NATCHEZ AVE.
 NILES, IL 60714 USA

IF TAX EXEMPT, PLEASE PROVIDE COPY OF EXEMPTION OR DIRECT PAYMENT CERTIFICATE



IRCON, INC.
7300 North Natchez Avenue
Niles, Illinois 60714 USA

Telephone 847-967-5151
Toll Free 800-323-7660
Fax 847-647-0948

ISO 9001/OS 9000 TE
Quality Systems Certified

Modified Standard Product
Data Form

A modified standard product is a product that is based on a standard product found in the most recent price list. The modifications maybe items such as; temperature ranges, output types, resolution, response time and optical issues. A modified standard product form is to be completed and submitted to Steve Schumm and Gene Kalley for review and approval based on the modification (which we have done before). If the modification has not been done before, the approval will require the entire senior management team's approval BEFORE QUOTING. A modified standard product if approved; this product will become a price listed standard product. We can then pay commission as outlined in our most recent contract.

- Standard Product is a Model Number: DNE31-13C
- Standard Product List Price: \$1130.
- The product change requested would be: Redo R729, 450-1050C
D/50 + cable break alarm Sales will attach specifics to this form.
- The market is willing to pay: 1630. for this product (total including standard price).
- What is engineering's expected time investment and cost: 1 hour Man Days
\$ 100.00
- What is production's expected purchasing and production time requirement: Days
- This new product has potential in the following application and estimated potential per year would be per year.
- This product will be not be quoted and produced as previously outlined.
- Agreed on this date of By production/purchasing
By engineering A.D. 5/21/07
W.O.# 24249
- Sales can now quote this project for \$ per unit.
 lead time.

 Add to standard product list in literature (Maxine)
 Add to price list (Vern)
cc/ Greg P, Paul V, Regional Sales Staff Globally

W.O.# 24249

Number :DN-HO#34324 - IRCON INFRARAIL IRT SO-LI: 93895*1

Level	Part Number	Description	Quantity	UM	Alt	MB	X	ECO No.	ECO Date	Start Use	End Use
1	DN1DNE	DN PRICES	1.0000	EA							
1	C11201-R713	SENSING HEAD FINAL ASSY	1.0000	EA							
2	451323	FIELD STOP .044DIA	1.0000	EA		B		3709	05-17-1996		
2	C11201/01	SEE EXTENDED DESCRIPTION	0.0000	EA		M					
2	990300005	RETAINING RING 7/16 OD,.2	1.0000	EA		B		3709	05-17-1996		
2	431442	DET. LOCATOR MOD2	1.0000	EA		B		3709	05-17-1996		
2	C11209-R707	SH DETECTOR ASSEMBLY E HD	1.0000	EA		M	P	3709	05-17-1996		
3	LR721-D	DET ASSY FOR SPL# R721	1.0000	EA		M	P	3770	08-21-1996		
4	LR721-D/01	SEE EXTENDED DESCRIPTION	0.0000	EA		M	P				
4	431432	DET. HOLDER MR20 SERIES	1.0000	EA		B					
4	640552	FILTER, BANDPASS	1.0000	EA		B					
4	590942	DETECTOR InGaAs 1.6u	1.0000	EA		B					
4	LR721-D/02	SEE EXTENDED DESCRIPTION	0.0000	EA		M	P				
4	560372	CABLE PVC 1 COND SHIELD 2	3.0000	IN		B					
4	312430100	WIRE 24AWG BARE SOLID	1.0000	IN		B					
4	430292	CONN. GASKET 2000 SERIES	1.0000	EA		B					
4	575892	CONN. CIRC 3 RECPT 10SL-3	1.0000	EA		B					
4	490042	SPRING DETECTOR RETAINER	1.0000	EA		B					
4	630092	FOLDING MIRROR SH MROA SE	1.0000	EA		B					
4	490032	SPRING FOLDING MIRROR MOD	1.0000	EA		B					
4	200204130	SCREW #2-56 X 1/8 PH SLOT	1.0000	EA		B					
4	990100016	EPOXY HARDMAN #4001 3-5 M	1.0000	EA		B					
4	3214G00X0	TUBING #14 PVC CLEAR	1.0000	IN		B					
2	447352	SENSOR, E-HEAD	1.0000	EA		B		3709	05-17-1996		
2	610432	EYE LENS FOR A HEAD	1.0000	EA		B		3709	05-17-1996		
2	990100002	EPOXY HARDMAN #4005 GEN P	1.0000	EA		B		3709	05-17-1996		
2	447372	FIELD STOP, .312 DIA	1.0000	EA		B		3709	05-17-1996		
2	447382	FIELD STOP, .437 DIA	1.0000	EA		B		3709	05-17-1996		
2	610402	LENS PLANO CONVEX 30" F/L	1.0000	EA		B		3709	05-17-1996		
2	431752	O RING 13/16 X 1/16 TH 70	1.0000	EA		B		3709	05-17-1996		
2	447362	LENS RING E-HEAD SENSOR	1.0000	EA		B		3709	05-17-1996		
2	200412440	SCREW #4-40 X 3/8 FIL SLO	4.0000	EA		B		3709	05-17-1996		
2	220403200	WASHER #4 LOCK SPLIT RING	4.0000	EA		B		3709	05-17-1996		
2	454152	SCREW, ADJUSTMENT,	1.0000	EA		B		3709	05-17-1996		
2	433372	O RING 3/32 X 7/32 X 1/16	1.0000	EA		B		3709	05-17-1996		
2	220602200	WASHER #6 LOCK EXT TOOTH	1.0000	EA		B		3709	05-17-1996		
2	200606040	SCREW #6-32 X 3/16 PH SLO	1.0000	EA		B		3709	05-17-1996		
2	C11201/02	SEE EXTENDED DESCRIPTION	0.0000	EA		M					
2	443502	RETAINING NUT	1.0000	EA		B		3709	05-17-1996		
2	477142	LABEL, SERIAL NUMBER, SEN	1.0000	EA		B		3709	05-17-1996		
2	474772	LABEL GROUND WARNING	1.0000	EA		B		3709	05-17-1996		
2	T-C11201-1	DETERMINE IF CABLE IS REQ	0.0000	EA		B		3709	05-17-1996		
2	C11201/03	SEE EXTENDED DESCRIPTION	0.0000	EA		M					
2	999900013	CAP PLUG #SC-1-1/4	1.0000	EA		B		3709	05-17-1996		
2	990100028	SEALANT RTV SILICONE BLAC	1.0000	EA		B		3709	05-17-1996		
2	999900014	STEM BUMPER 3/8OD .275T	1.0000	EA		B		3709	05-17-1996		

R729

W.O.# 24246

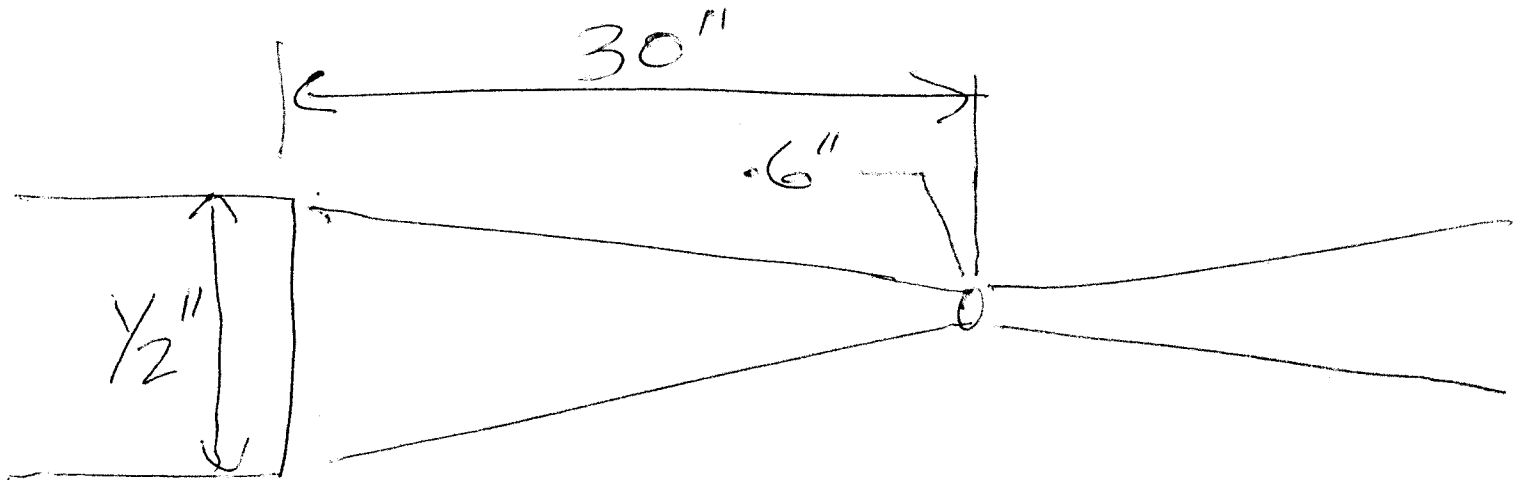
Number :DN-HO#34325 - IRCON INFRARAIL IRT SO-LI: 93896*1

Level	Part Number	Description	Quantity	UM	Alt	MB	X	ECO No.	ECO Date	Start Use	End Use
1	DN1DNE	DN PRICES	1.0000	EA		M	P				
1	OK C11201-R713	SENSING HEAD FINAL ASSY	1.0000	EA		M	P				
2	451323	FIELD STOP .044DIA	1.0000	EA		B		3709	05-17-1996		
2	C11201/01	SEE EXTENDED DESCRIPTION	0.0000	EA		M					
2	990300005	RETAINING RING 7/16 OD, .2	1.0000	EA		B		3709	05-17-1996		
2	431442	DET. LOCATOR MOD2	1.0000	EA		B		3709	05-17-1996		
2	C11209-R707	SH DETECTOR ASSEMBLY E HD	1.0000	EA		M	P	3709	05-17-1996		
3	LR721-D	DET ASSY FOR SPL# R721	1.0000	EA		M	P	3770	08-21-1996		
4	LR721-D/01	SEE EXTENDED DESCRIPTION	0.0000	EA		M	P				
4	431432	DET. HOLDER MR20 SERIES	1.0000	EA		B					
4	640552	FILTER, BANDPASS	1.0000	EA		B					
4	590942	DETECTOR InGaAs 1.6u	1.0000	EA		B					
4	LR721-D/02	SEE EXTENDED DESCRIPTION	0.0000	EA		M	P				
4	560372	CABLE PVC 1 COND SHIELD 2	3.0000	IN		B					
4	312430100	WIRE 24AWG BARE SOLID	1.0000	IN		B					
4	430292	CONN. GASKET 2000 SERIES	1.0000	EA		B					
4	575892	CONN. CIRC 3 RECPT 10SL-3	1.0000	EA		B					
4	490042	SPRING DETECTOR RETAINER	1.0000	EA		B					
4	630092	FOLDING MIRROR SH MROA SE	1.0000	EA		B					
4	490032	SPRING FOLDING MIRROR MOD	1.0000	EA		B					
4	200204130	SCREW #2-56 X 1/8 PH SLOT	1.0000	EA		B					
4	990100016	EPOXY HARDMAN #4001 3-5 M	1.0000	EA		B					
4	3214G00X0	TUBING #14 PVC CLEAR	1.0000	IN		B					
2	447352	SENSOR, E-HEAD	1.0000	EA		B		3709	05-17-1996		
2	610432	EYE LENS FOR A HEAD	1.0000	EA		B		3709	05-17-1996		
2	990100002	EPOXY HARDMAN #4005 GEN P	1.0000	EA		B		3709	05-17-1996		
2	447372	FIELD STOP, .312 DIA	1.0000	EA		B		3709	05-17-1996		
2	447382	FIELD STOP, .437 DIA	1.0000	EA		B		3709	05-17-1996		
2	610402	LENS PLANO CONVEX 30" F/L	1.0000	EA		B		3709	05-17-1996		
2	431752	O RING 13/16 X 1/16 TH 70	1.0000	EA		B		3709	05-17-1996		
2	447362	LENS RING E-HEAD SENSOR	1.0000	EA		B		3709	05-17-1996		
2	200412440	SCREW #4-40 X 3/8 FIL SLO	4.0000	EA		B		3709	05-17-1996		
2	220403200	WASHER #4 LOCK SPLIT RING	4.0000	EA		B		3709	05-17-1996		
2	454152	SCREW, ADJUSTMENT,	1.0000	EA		B		3709	05-17-1996		
2	433372	O RING 3/32 X 7/32 X 1/16	1.0000	EA		B		3709	05-17-1996		
2	220602200	WASHER #6 LOCK EXT TOOTH	1.0000	EA		B		3709	05-17-1996		
2	200606040	SCREW #6-32 X 3/16 PH SLO	1.0000	EA		B		3709	05-17-1996		
2	C11201/02	SEE EXTENDED DESCRIPTION	0.0000	EA		M					
2	443502	RETAINING NUT	1.0000	EA		B		3709	05-17-1996		
2	477142	LABEL, SERIAL NUMBER, SEN	1.0000	EA		B		3709	05-17-1996		
2	474772	LABEL GROUND WARNING	1.0000	EA		B		3709	05-17-1996		
2	T-C11201-1	DETERMINE IF CABLE IS REQ	0.0000	EA		B		3709	05-17-1996		
2	C11201/03	SEE EXTENDED DESCRIPTION	0.0000	EA		M					
2	999900013	CAP PLUG #SC-1-1/4	1.0000	EA		B		3709	05-17-1996		
2	990100028	SEALANT RTV SILICONE BLAC	1.0000	EA		B		3709	05-17-1996		
2	999900014	STEM BUMPER 3/8OD .275T	1.0000	EA		B		3709	05-17-1996		

R729

FOR D/50 @ 30"

SPOT @ 30" = .6"



LOOKING FOR SPOT SIZE
AT:

2500 mm

3500 mm

12.7

762

15.2



IRCON, INC T 847-967-5151
 7300 North Natchez Ave T 800-323-7660
 Niles, Illinois 60714 USA F 847-647-0948

Acknowledgment

ORDER DATE: 16 APR 2007
 REV: DATE:

Customer No. 003639
 SOLD TO

SHIP TO
 PEI MIDSOUTH, INC.
 SUITE 304
 201 HOLIDAY BLVD.
 COVINGTON, LA 70433

PEI MIDSOUTH, INC.
 SUITE 304
 201 HOLIDAY BLVD.
 COVINGTON, LA 70433

SPECIAL SHIPPING INSTRUCTIONS

OUR ORDER No.		YOUR PO No.		F.O.B.			TAX	
93688		07-20209		ORIGIN			Resale	
SHIP VIA		TERMS		DATE REQUESTED	SALES REPRESENTATIVE			
UPS		0.00/0/30		04-30-07	1249 (100.00)			
LI	PART NO.	PRODUCT/DESCRIPTION		QTY	UNIT PRICE	DISC	NET PRICE	EXTENSION
1	DN-HO#33942 <i>w.o.# 24001</i>	DN_DNE31-13C <i>DNE99-99C</i> IRCON INFRARAIL IRT SENSING HEAD ONLY Consists of the following: 1.0000 - INFRARAIL HEAD ONLY 1.0000 - DN - E SERIES 1.0000 - D/100 RESOLUTION (E) 1.0000 - 800-1300C		1	1630.00	0.0	1630.00	1630.00
				<i>Redo Spec No R729</i> <i>Temp range 450-1050C</i> <i>D/50 resolution</i> <i>cable break alarm</i> <i>MPB</i> <i>4/17</i>				
THIS ORDER IS ACCEPTED SUBJECT TO TERMS AND CONDITIONS SHOWN ON THIS AND THE REVERSE SIDE					GRAND TOTAL		USD1,630.00	

SHIP TO: IRCON, INC.
 7300 N. NATCHEZ AVE.
 NILES, IL 60714 USA

IF TAX EXEMPT, PLEASE PROVIDE COPY OF
 EXEMPTION OR DIRECT PAYMENT CERTIFICATE



IRCON, INC.
7300 North Natchez Avenue
Niles, Illinois 60714 USA

Telephone 847-967-5151
Toll Free 800-323-7660
Fax 847-647-0948

ISO 9001/QS 9000 IE
Quality Systems Certified

Modified Standard Product Data Form

A modified standard product is a product that is based on a standard product found in the most recent price list. The modifications maybe items such as; temperature ranges, output types, resolution, response time and optical issues. A modified standard product form is to be completed and submitted to Steve Schumm and Gene Kalley for review and approval based on the modification (which we have done before). If the modification has not been done before, the approval will require the entire senior management team's approval BEFORE QUOTING. A modified standard product if approved; this product will become a price listed standard product. We can then pay commission as outlined in our most recent contract.

- Standard Product is a Model Number: DNE31-13C
- Standard Product List Price: \$1380
- The product change requested would be: Redo R729-450-1050C
P/50, + Cable Bk claren **Sales will attach specifics to this form.**
- The market is willing to pay \$1630 for this product (total including standard price).
- What is engineering's expected time investment and cost: 1 HOUR Man Days
\$100.00
- What is production's expected purchasing and production time requirement: _____ Days
- This new product has potential in the following application and estimated potential per year would be _____ per year.

➤ This product will be not be _____ quoted and produced as previously outlined.

➤ Agreed on this date of _____ By production/purchasing _____
By engineering A-DonBDO 9/23/07

➤ Sales can now quote this project for \$ _____ per unit. W.O.# 24001
_____ lead time.

____ Add to standard product list in literature (Maxine)
____ Add to price list (Vern)
cc/ Greg P, Paul V, Regional Sales Staff Globally



IRCON, INC T 847-967-5151
 7300 North Natchez Ave T 800-323-7660
 Niles, Illinois 60714 USA F 847-647-0948

Acknowledgment

ORDER DATE: 23 APR 2007
 REV: DATE:

Customer No. 100426
SOLD TO

SHIP TO
 OTTO JUNKER GMBH
 JAGERHAUSSTRASSE 22
 SIMMERATH, 52152
 GERMANY

IRCON B.V.
 DATABANKWEG 6 C
 3821 AL AMERSFOORT
 THE NETHERLANDS

SPECIAL SHIPPING INSTRUCTIONS

OUR ORDER No.		YOUR PO No.		F.O.B.		TAX	
93746		2053		ORIGIN		Resale	
SHIP VIA		TERMS		DATE REQUESTED	SALES REPRESENTATIVE		
UPS SCS		0.00/0/180		05-11-07	1001 (100.00)		
LI	PART NO.	PRODUCT/DESCRIPTION	QTY	UNIT PRICE	DISC	NET PRICE	EXTENSION
1	DN-HO#34053 <i>W.O.# 24007</i>	DN_DNE31-13C <i>DNE99-99C</i> IRCON INFRARAIL IRT SENSING HEAD ONLY Consists of the following: 1.0000 - INFRARAIL HEAD ONLY 1.0000 - DN - E SERIES 1.0000 - D/100 RESOLUTION (E) 1.0000 - 800-1300C	2	329.99	0.0	329.99	659.98
2	MOD-CHARGES	MODIFICATION OF PRODUCT		75.00	0.0	75.00	150.00

*Model Special No R729
 Temp range 450 to 1050 C
 D/50 resolution
 Cable Break Alarm
 RAB 4/23/07*

THIS ORDER IS ACCEPTED SUBJECT TO TERMS AND CONDITIONS SHOWN ON THIS AND THE REVERSE SIDE **GRAND TOTAL** ECU809.98

SHIP TO: IRCON, INC
 7300 N. NATCHEZ AVE.
 NILES, IL 60714 USA

IF TAX EXEMPT, PLEASE PROVIDE COPY OF EXEMPTION OR DIRECT PAYMENT CERTIFICATE



IRCON, INC.
7300 North Natchez Avenue
Niles, Illinois 60714 USA

Telephone 847-967-5151
Toll Free 800-323-7660
Fax 847-647-0948

ISO 9001/OS 9000 TE
Quality Systems Certified

Modified Standard Product
Data Form

A modified standard product is a product that is based on a standard product found in the most recent price list. The modifications maybe items such as; temperature ranges, output types, resolution, response time and optical issues. A modified standard product form is to be completed and submitted to Steve Schumm and Gene Kalley for review and approval based on the modification (which we have done before). If the modification has not been done before, the approval will require the entire senior management team's approval BEFORE QUOTING. A modified standard product if approved; this product will become a price listed standard product. We can then pay commission as outlined in our most recent contract.

- Standard Product is a Model Number: DNE31-13C
- Standard Product List Price: ~~\$~~ 440
- The product change requested would be: Model R729, 450-1050G
D/SO - Cable Dr alarm *Sales will attach specifics to this form.*
- The market is willing to pay \$540 for this product (total including standard price).
- What is engineering's expected time investment and cost: 1 HOUR Man Days
\$100⁰⁰
- What is production's expected purchasing and production time requirement: _____ Days
- This new product has potential in the following application and estimated potential per year would be _____ per year.

- This product will be not be _____ quoted and produced as previously outlined.
- Agreed on this date of _____ By production/purchasing _____
By engineering A-DONADO 4/23/07
W.O.# 24007
- Sales can now quote this project for \$ _____ per unit.
_____ lead time.

_____ Add to standard product list in literature (Maxine)
_____ Add to price list (Vern)
cc/ Greg P, Paul V, Regional Sales Staff Globally

R 729.

Spot ϕ @

2500 mm

(98")

3500 mm

(138")

Spot @ 2500 mm \approx 3" (\approx 79 mm)

Spot @ 3500 mm \approx 4.6" (\approx 115 mm)

W.O. # 23504

Number :DN#33184 - IRCON INFRARAIL IRT SO-LI: 93229*1

Level	Part Number	Description	Quantity	UM	Alt	MB	X	ECO No.	ECO Date	Start Use	End Use
1	DN0DNE	DN PRICES	1.0000	EA							
1	OK C11201-R713	SENSING HEAD FINAL ASSY	1.0000	EA							
2	451323	FIELD STOP .044DIA	1.0000	EA		B		3709	05-17-1996		
2	C11201/01	SEE EXTENDED DESCRIPTION	0.0000	EA		M					
2	990300005	RETAINING RING 7/16 OD, .2	1.0000	EA		B		3709	05-17-1996		
2	431442	DET. LOCATOR MOD2	1.0000	EA		B		3709	05-17-1996		
2	C11209-R707	SH DETECTOR ASSEMBLY E HD	1.0000	EA		M	P	3709	05-17-1996		
3	LR721-D	DET ASSY FOR SPL# R721	1.0000	EA		M	P	3770	08-21-1996		
4	LR721-D/01	SEE EXTENDED DESCRIPTION	0.0000	EA		M	P				
4	431432	DET. HOLDER MR20 SERIES	1.0000	EA		B					
4	640552	FILTER, BANDPASS	1.0000	EA		B					
4	590942	DETECTOR InGaAs 1.6u	1.0000	EA		B					
4	LR721-D/02	SEE EXTENDED DESCRIPTION	0.0000	EA		M	P				
4	560372	CABLE PVC 1 COND SHIELD 2	3.0000	IN		B					
4	312430100	WIRE 24AWG BARE SOLID	1.0000	IN		B					
4	430292	CONN. GASKET 2000 SERIES	1.0000	EA		B					
4	575892	CONN. CIRC 3 RECPT 10SL-3	1.0000	EA		B					
4	490042	SPRING DETECTOR RETAINER	1.0000	EA		B					
4	630092	FOLDING MIRROR SH MROA SE	1.0000	EA		B					
4	490032	SPRING FOLDING MIRROR MOD	1.0000	EA		B					
4	200204130	SCREW #2-56 X 1/8 PH SLOT	1.0000	EA		B					
4	990100016	EPOXY HARDMAN #4001 3-5 M	1.0000	EA		B					
4	3214G00X0	TUBING #14 PVC CLEAR	1.0000	IN		B					
2	447352	SENSOR, E-HEAD	1.0000	EA		B		3709	05-17-1996		
2	610432	EYE LENS FOR A HEAD	1.0000	EA		B		3709	05-17-1996		
2	990100002	EPOXY HARDMAN #4005 GEN P	1.0000	EA		B		3709	05-17-1996		
2	447372	FIELD STOP, .312 DIA	1.0000	EA		B		3709	05-17-1996		
2	447382	FIELD STOP, .437 DIA	1.0000	EA		B		3709	05-17-1996		
2	610402	LENS PLANO CONVEX 30" F/L	1.0000	EA		B		3709	05-17-1996		
2	431752	O RING 13/16 X 1/16 TH 70	1.0000	EA		B		3709	05-17-1996		
2	447362	LENS RING E-HEAD SENSOR	1.0000	EA		B		3709	05-17-1996		
2	200412440	SCREW #4-40 X 3/8 FIL SLO	4.0000	EA		B		3709	05-17-1996		
2	220403200	WASHER #4 LOCK SPLIT RING	4.0000	EA		B		3709	05-17-1996		
2	454152	SCREW, ADJUSTMENT,	1.0000	EA		B		3709	05-17-1996		
2	433372	O RING 3/32 X 7/32 X 1/16	1.0000	EA		B		3709	05-17-1996		
2	220602200	WASHER #6 LOCK EXT TOOTH	1.0000	EA		B		3709	05-17-1996		
2	200606040	SCREW #6-32 X 3/16 PH SLO	1.0000	EA		B		3709	05-17-1996		
2	C11201/02	SEE EXTENDED DESCRIPTION	0.0000	EA		M					
2	443502	RETAINING NUT	1.0000	EA		B		3709	05-17-1996		
2	477142	LABEL, SERIAL NUMBER, SEN	1.0000	EA		B		3709	05-17-1996		
2	474772	LABEL GROUND WARNING	1.0000	EA		B		3709	05-17-1996		
2	T-C11201-1	DETERMINE IF CABLE IS REQ	0.0000	EA		B		3709	05-17-1996		
2	C11201/03	SEE EXTENDED DESCRIPTION	0.0000	EA		M					
2	999900013	CAP PLUG #SC-1-1/4	1.0000	EA		B		3709	05-17-1996		
2	990100028	SEALANT RTV SILICONE BLAC	1.0000	EA		B		3709	05-17-1996		
2	999900014	STEM BUMPER 3/8OD .275T	1.0000	EA		B		3709	05-17-1996		
1	D11198	PVC-(INT/EXT-E/F SERIES) (1.0000	EA		M	P				
2	560052	CABLE PVC 2 COND 1100/200	1.0000	FT		B		3913	04-02-1997		
2	D11198/01	SEE EXTENDED DESCRIPTION	0.0000	EA		M					
2	D11198/02	SEE EXTENDED DESCRIPTION	0.0000	EA		M					
2	D11198/03	SEE EXTENDED DESCRIPTION	8.0000	EA		M					
2	575882	CONN. CIRC 10SL-3 BACKSHE	1.0000	EA		B		3913	04-02-1997		
2	3210G00X0	TUBING #10 PVC CLEAR	3.0000	IN		B		3913	04-02-1997		
2	3212G00X0	TUBING #12 PVC CLEAR	1.0000	IN		B		3913	04-02-1997		
2	575902	CONN. CIRC 10SL-3 STR PLU	1.0000	EA		B		3913	04-02-1997		
2	321611400	TUBING 1/4" SHRINKABLE BL	1.0000	IN		B		3913	04-02-1997		
2	990100027	ADHESIVE LOCTITE 272	1.0000	EA		B		3913	04-02-1997		
2	C-CABLE	DETERMINE CABLE LENGTH FR	1.0000	EA		M	P	3913	04-02-1997		
2	477202	LABEL INFRARAIL (2.0" X 0	1.0000	EA		B		3913	04-02-1997		
1	U-D11198-C	12 FEET OF CABLE	1.0000	EA		M	P				
2	560052	CABLE PVC 2 COND 1100/200	12.0000	FT		B					
1	U-M1-R729	MODULE ASSY M1-INFRARAIL	1.0000	EA		M	P				
2	102103011	RES. 210K OHM MF 1/4W 1%	1.0000	EA		B					
2	101872011	RES. 18.7K OHM MF 1/4W 1%	1.0000	EA		B					
2	101243011	RES. 124K OHM MF 1/4W 1%	1.0000	EA		B					
2	101502011	RES. 15.0K OHM MF 1/4W 1%	1.0000	EA		B					
2	105902011	RES. 59.0K OHM MF 1/4W 1%	1.0000	EA		B					
2	101002011	RES. 10.0K OHM MF 1/4W 1%	1.0000	EA		B					

R729

Number :DN#33184 - IRCON INFRARAIL IRT SO-LI: 93229*1

Level	Part Number	Description	Quantity	UM	Alt	MB X	ECO No.	ECO Date	Start Use	End Use
2	109532011	RES. 95.3K OHM MF 1/4W 1%	1.0000	EA		B				
2	106341011	RES. 6.34K OHM MF 1/4W 1%	1.0000	EA		B				
2	101583011	RES. 158K OHM MF 1/4W 1%	1.0000	EA		B				
2	103831011	RES. 3.83K OHM MF 1/4W 1%	1.0000	EA		B				
2	102743011	RES. 274K OHM MF 1/4W 1%	1.0000	EA		B				
2	102151011	RES. 2.15K OHM MF 1/4W 1%	1.0000	EA		B				
2	104873011	RES. 487K OHM MF 1/4W 1%	1.0000	EA		B				
2	101211011	RES. 1.21K OHM MF 1/4W 1%	1.0000	EA		B				
2	109093011	RES. 909K OHM MF 1/4W 1%	1.0000	EA		B				
2	106340011	RES. 634 OHM MF 1/4W 1%	1.0000	EA		B				
2	101744011	RES. 1.74M OHM MF 1/4W 1%	1.0000	EA		B				
2	103320011	RES. 332 OHM MF 1/4W 1%	1.0000	EA		B				
2	102870011	RES. 287 OHM MF 1/4W 1%	1.0000	EA		B				
2	103574011	RES. 3.57M OHM MF 1/4W 1%	1.0000	EA		B				
1	D11191	INFRARAIL BOX ASSEMBLY	1.0000	EA		M P				
2	433332	ENCLOSURE, DIN BOX, MODIF	1.0000	EA		B	3671	04-08-1996		
2	C11187	POWER SUPPLY/ PEAK-PICKER	1.0000	EA		M P	3671	04-08-1996		
3	C20212	SCHEMATIC: POWER SUPPLY/	1.0000	EA		M P	4202	01-14-1999		
3	LDN200	PWR SUPPLY/ PP PCB ASSY	1.0000	EA		M P	4202	01-14-1999		
4	502505	PCB DIN RAIL POWER PEAK-P	1.0000	EA		B	3769	08-05-1996		
4	LDN200/01	SEE EXTENDED DESCRIPTION	0.0000	EA		M P				
4	533082	TRAN. MJE800 NPN - DARLIN	1.0000	EA		B	3769	08-05-1996		
4	LDN200/02	SEE EXTENDED DESCRIPTION	0.0000	EA		M P				
4	LDN200/03	SEE EXTENDED DESCRIPTION	0.0000	EA		M P				
4	530882	DIODE 1N4002 GP RECTIFIER	1.0000	EA		B	3769	08-05-1996		
4	532952	OP-AMP ULTRA LOW BIAS	2.0000	EA		B	3769	08-05-1996		
4	532322	IC 4053B ANALOG MUX/DEMUX	1.0000	EA		B	4842	07-31-2002		
4	531862	OP-AMP LM346N PROGRAM QUA	1.0000	EA		B	3769	08-05-1996		
4	102493011	RES. 249K OHM MF 1/4W 1%	1.0000	EA		B	3769	08-05-1996		
4	103321011	RES. 3.32K OHM MF 1/4W 1%	1.0000	EA		B	3769	08-05-1996		
4	101820011	RES. 182 OHM MF 1/4W 1%	1.0000	EA		B	3769	08-05-1996		
4	104421011	RES. 4.42K OHM MF 1/4W 1%	1.0000	EA		B	3769	08-05-1996		
4	106654011	RES. 6.65M OHM MF 1/4W 1%	1.0000	EA		B	3769	08-05-1996		
4	104993011	RES. 499K OHM MF 1/4W 1%	1.0000	EA		B	3769	08-05-1996		
4	104021011	RES. 4.02K OHM MF 1/4W 1%	1.0000	EA		B	3769	08-05-1996		
4	105364011	RES. 5.36M OHM MF 1/4W 1%	2.0000	EA		B	3769	08-05-1996		
4	103480011	RES. 348 OHM MF 1/4W 1%	1.0000	EA		B	3769	08-05-1996		
4	100000990	JUMPER DUMMY RESISTOR	5.0000	EA		B	3769	08-05-1996		
4	101000011	RES. 100 OHM MF 1/4W 1%	1.0000	EA		B	3769	08-05-1996		
4	101003011	RES. 100K OHM MF 1/4W 1%	1.0000	EA		B	3769	08-05-1996		
4	101004011	RES. 1.00M OHM MF 1/4W 1%	4.0000	EA		B	3769	08-05-1996		
4	102003011	RES. 200K OHM MF 1/4W 1%	2.0000	EA		B	3769	08-05-1996		
4	104991011	RES. 4.99K OHM MF 1/4W 1%	1.0000	EA		B	3769	08-05-1996		
4	101503011	RES. 150K OHM MF 1/4W 1%	1.0000	EA		B				
4	530572	DIODE 1N4446 SWITCHING	2.0000	EA		B	4906	05-19-2003		
4	530532	DIODE FD300 GENERAL PURPO	1.0000	EA		B	3769	08-05-1996		
4	521852	CAP. 0.68 MFD 50V CERAMIC	1.0000	EA		B	3769	08-05-1996		
4	521972	CAP. .047 MFD 50V CER X7	1.0000	EA		B	3769	08-05-1996		
4	521072	CAP. 22MFD 16V TANT 10%	2.0000	EA		B	3769	08-05-1996		
4	551122	CHOKE 9250-122 1.2 UH, .1	2.0000	EA		B	3769	08-05-1996		
4	521902	CAP. NPO 1000pf 200V .2LS	1.0000	EA		B	3769	08-05-1996		
4	521862	CAP. 3.3 MFD 50V CERAMC X	1.0000	EA		B	3769	08-05-1996		
4	521872	CAP. 1.0 MFD 50V CERAMIC	5.0000	EA		B	3769	08-05-1996		
4	522002	CAP. .01 MFD 200V CERAMIC	6.0000	EA		B	3769	08-05-1996		
4	531892	REG. LM317LZ +1.2/37V ADJ	1.0000	EA		B	3769	08-05-1996		
4	431902	BIVAR PERMO PAD 0.250 DIA	1.0000	EA		B	3769	08-05-1996		
4	530862	TRAN. 2N2222A NPN MED POW	1.0000	EA		B	3769	08-05-1996		
4	551152	INDUCTOR 100UH +/-10% IMS	2.0000	EA		B	3769	08-05-1996		
4	531882	DIODE LM385BZ-2.5 2.5V RE	6.0000	EA		B	3769	08-05-1996		
4	575602	CONN. HDR AMP STRAIGHT 5	1.0000	EA		B	3769	08-05-1996		
4	574592	CONN. HDR AMP STRAIGHT 4	1.0000	EA		B	3769	08-05-1996		
4	LDN200/04	SEE EXTENDED DESCRIPTION	0.0000	EA		M P				
4	572732	HEADER SNGL 36 PIN .1 CNT	11.0000	EA		B	3769	08-05-1996		
4	LDN200/05	SEE EXTENDED DESCRIPTION	0.0000	EA		M P				
2	C11186	PREAMP/ LINEARIZER PCB AS	1.0000	EA		M P	3671	04-08-1996		
3	C20211	SCHEMATIC: PREAMP/ LINEAR	1.0000	EA		M P	4785	03-05-2002		
3	LDN100	PREAMP/ LIN PCB ASSY INFR	1.0000	EA		M P	3659	04-12-1996		
4	502493	PCB DIN RAIL LINEARIZER	1.0000	EA		B	3767	08-07-1996		

Number :DN#33184 - IRCON INFRARAIL IRT SO-LI: 93229*1

Level	Part Number	Description	Quantity	UM	Alt	MB	X	ECO No.	ECO Date	Start Use	End Use
4	LDN100/01	SEE EXTENDED DESCRIPTION	0.0000	EA		M	P				
4	LDN100/02	SEE EXTENDED DESCRIPTION	0.0000	EA		M	P				
4	532982	OP-AMP AD548CQ LOW PWR	1.0000	EA		B		3767	08-07-1996		
4	531862	OP-AMP LM346N PROGRAM QUA	3.0000	EA		B		3767	08-07-1996		
4	530532	DIODE FD300 GENERAL PURPO	16.0000	EA		B		3767	08-07-1996		
4	514632	RES. 330K NETWORK 10 PIN	2.0000	EA		B		3767	08-07-1996		
4	514642	RES. 330K NETWORK 10 PIN	2.0000	EA		B		3767	08-07-1996		
4	104533011	RES. 453K OHM MF 1/4W 1%	1.0000	EA		B		3767	08-07-1996		
4	1010R0011	RES. 10.0 OHM MF 1/4W 1%	1.0000	EA		B		3767	08-07-1996		
4	102743011	RES. 274K OHM MF 1/4W 1%	1.0000	EA		B		3767	08-07-1996		
4	102103011	RES. 210K OHM MF 1/4W 1%	1.0000	EA		B		3767	08-07-1996		
4	105364011	RES. 5.36M OHM MF 1/4W 1%	6.0000	EA		B		3767	08-07-1996		
4	101002011	RES. 10.0K OHM MF 1/4W 1%	1.0000	EA		B		3767	08-07-1996		
4	101003011	RES. 100K OHM MF 1/4W 1%	1.0000	EA		B		3767	08-07-1996		
4	102003011	RES. 200K OHM MF 1/4W 1%	2.0000	EA		B		3767	08-07-1996		
4	101000011	RES. 100 OHM MF 1/4W 1%	2.0000	EA		B		3767	08-07-1996		
4	100000990	JUMPER DUMMY RESISTOR	1.0000	EA		B		3767	08-07-1996		
4	551122	CHOKO 9250-122 1.2 UH, .1	1.0000	EA		B		3767	08-07-1996		
4	540412	FERRITE BEAD ON LEAD AXIA	3.0000	EA		B		3767	08-07-1996		
4	522002	CAP. .01 MFD 200V CERAMIC	7.0000	EA		B		3767	08-07-1996		
4	521902	CAP. NPO 1000pf 200V .2LS	2.0000	EA		B		3767	08-07-1996		
4	521932	CAP. 100 PF COG 200V	1.0000	EA		B		3767	08-07-1996		
4	521962	CAP. 10Pf NPO 200V .2LS	2.0000	EA		B		3767	08-07-1996		
4	514612	POT. 50K 25T 1/2W 10%	1.0000	EA		B		3767	08-07-1996		
4	514242	POT. 25K OHM 25T 1/2W 10%	1.0000	EA		B		3767	08-07-1996		
4	514622	POT. 100K 25T 1/2W 10%	1.0000	EA		B		3767	08-07-1996		
4	574922	CONN. HDR AMP STRAIGHT 3	1.0000	EA		B		3767	08-07-1996		
4	LDN100/03	SEE EXTENDED DESCRIPTION	0.0000	EA		M	P				
4	574432	SOCKET 40 POS DIP .5HT EL	1.0000	EA		B		3767	08-07-1996		
4	LDN100/04	SEE EXTENDED DESCRIPTION	0.0000	EA		M	P				
4	526002	CAP. SMC 330Pf NPO 50V 5%	1.0000	EA		B		3767	08-07-1996		
4	572732	HEADER SNGL 36 PIN .1 CNT	11.0000	EA		B		3767	08-07-1996		
4	LDN100/05	SEE EXTENDED DESCRIPTION	0.0000	EA		M	P				
2	C11193	PCB INTERCONNECT ASSEMBLY	1.0000	EA		M	P	3671	04-08-1996		
3	LDN300	PCB INTERCONN ASSY (INFRA	1.0000	EA		M	P				
4	502533	PCB DIN RAIL POWER PEAK-P	1.0000	EA		B		3721	08-01-1996		
4	575922	CONN. FEMALE 11 POSITION	2.0000	EA		B		3721	08-01-1996		
2	477112	LABEL, COVER, DIN BOX	1.0000	EA		B		4909	06-11-2003		
2	C11190	DECAY RATE POT/ CONNECTOR	1.0000	EA		M	P	3671	04-08-1996		
3	LDN003	DECAY RATE POT/ CONN. ASS	1.0000	EA		M	P	4030	10-08-1997		
4	514592	POT. 50K OHM 1T 1/2W 10%	1.0000	EA		B					
4	LDN003/01	SEE EXTENDED DESCRIPTION	0.0000	EA		M	P				
4	302479000	WIRE 24AWG VIO/WHITE STRA	1.0000	IN		B					
4	302409000	WIRE 24AWG BLK/WHITE STRA	1.0000	IN		B					
4	302459000	WIRE 24AWG GRN/WHITE STRA	1.0000	IN		B					
4	574662	CONN. CONTACT 20-24 AWG C	3.0000	EA		B					
4	574692	CONN. HOUSING 5 POSITION-	1.0000	EA		B					
2	C11189	RESPONSE TIME POT/ CONNEC	1.0000	EA		M	P	3671	04-08-1996		
3	LDN002	RESP. TIME POT/ CONN. ASS	1.0000	EA		M	P				
4	514602	POT. 5M OHM 1T 1/2W 20% P	1.0000	EA		B					
4	302440000	WIRE 24AWG YEL/BLACK STRA	1.0000	IN		B					
4	302460000	WIRE 24AWG BLU/BLACK STRA	1.0000	IN		B					
4	302430000	WIRE 24AWG ORG/BLACK STRA	1.0000	IN		B					
4	574662	CONN. CONTACT 20-24 AWG C	3.0000	EA		B					
4	574682	CONN. HOUSING 4 POSITION-	1.0000	EA		B					
2	C11188	EMISSIVITY POT/ CONNECTOR	1.0000	EA		M	P	3671	04-08-1996		
3	LDN001	EMISSIVITY POT/ CONN. ASS	1.0000	EA		M	P	3767	08-07-1996		
4	513722	POT. 100K 2 DIGIT 1% DIGI	1.0000	EA		B		3767	08-07-1996		
4	30245X000	WIRE 24AWG GREEN STRANDED	1.0000	IN		B		3767	08-07-1996		
4	30249X000	WIRE 24AWG WHITE STRANDED	1.0000	IN		B		3767	08-07-1996		
4	30246X000	WIRE 24AWG BLUE STRANDED	1.0000	IN		B		3767	08-07-1996		
4	574662	CONN. CONTACT 20-24 AWG C	3.0000	EA		B		3767	08-07-1996		
4	574672	CONN. HOUSING 3 POSITION-	1.0000	EA		B		3767	08-07-1996		
4	477212	LABEL - CLEAR WINDOW	1.0000	EA		B		3767	08-07-1996		
2	575852	KNOB, 9MM COLLET TYPE,	2.0000	EA		B		3671	04-08-1996		
2	575872	POINTER, 9MM COLLET TYPE	2.0000	EA		B		3671	04-08-1996		
2	575862	CAP. 9MM COLLET TYPE KNOB	2.0000	EA		B		3671	04-08-1996		
2	C11194	MODULE ASSEMBLY - M1 - (I	1.0000	EA		M	P	3671	04-08-1996		

Number :DN#33184 - IRCON INFRARAIL IRT SO-LI: 93229*1

.....Level.....	..Part Number..Description.....	.Quantity.	.UM.	Alt.	MB X	.ECO No.	.ECO Date.	.Start Use	.End Use..
3	573912	HEADER 40 PIN DIP .6 CENT	1.0000	EA		B				
3	T-C11194-1	SELECT "M1" MODULE VALUES	0.0000	EA		B				
3	T-C11194-3	GT M1 MODULE VALUES	0.0000	EA		B				
2	575912	CONN. KEYING ELEMENT (DN-	2.0000	EA		B	3671	04-08-1996		
2	477132	LABEL, SERIAL NUMBER, DIN	1.0000	EA		B	3671	04-08-1996		
2	477122	LABEL, DIN BOX, INFRARAIL	1.0000	EA		B	3671	04-08-1996		
2	574082	TERM. BLOCK JUMPER QUICK	1.0000	EA		B	3671	04-08-1996		
2	LDNKIT	MTG CLIP KIT FOR INFRARAI	1.0000	EA		M P	3671	04-08-1996		
3	990300010	CLIP MTG FOR DIN BOX	2.0000	EA		B	3694	04-17-1996		
3	LDNKIT/01	SEE EXTENDED DESCRIPTION	0.0000	EA		M P				
2	477182	LABEL-CE MARK (PRODUCTS)	1.0000	EA		B	3671	04-08-1996		



IRCON, INC T 847-967-5151
 7300 North Natchez Ave T 800-323-7660
 Niles, Illinois 60714 USA F 847-647-0948

Acknowledgment

ORDER DATE: 26 SEP 2007

REV: DATE:

Customer No. 003639
 SOLD TO

SHIP TO

PEI MIDSOUTH, INC.
 SUITE 304
 201 HOLIDAY BLVD.
 COVINGTON, LA 70433

PEI MIDSOUTH, INC.
 SUITE 304
 201 HOLIDAY BLVD.
 COVINGTON, LA 70433

SPECIAL SHIPPING INSTRUCTIONS

OUR ORDER No.		YOUR PO No.		F.O.B.			TAX		
95006		07-20314		ORIGIN			Resale		
SHIP VIA		TERMS		DATE REQUESTED	SALES REPRESENTATIVE				
UPS		0.00/0/30		10-12-07	1249 (100.00)				
LI	PART NO.	PRODUCT/DESCRIPTION			QTY	UNIT PRICE	DISC	NET PRICE	EXTENSION
1	DN-HO#36020 W.O.# 25297	DN_DNE31-13C <i>E99-99C</i> IRCON INFRARAIL IRT SENSING HEAD ONLY Consists of the following: 1.0000 - INFRARAIL HEAD ONLY 1.0000 - DN - E SERIES 1.0000 - D/100 RESOLUTION (E) 1.0000 - 800-1300C			1	1630.00	0.0	1630.00	1630.00
<i>Redo Spec No R 729</i> <i>Temp range 450-1050C</i> <i>D/50 resolution</i> <i>cable break alarm</i> <i>PRB</i> <i>9/27</i>									
THIS ORDER IS ACCEPTED SUBJECT TO TERMS AND CONDITIONS SHOWN ON THIS AND THE REVERSE SIDE						GRAND TOTAL		USD1,630.00	

SHIP TO: IRCON, INC.
 7300 N. NATCHEZ AVE.
 NILES, IL 60714 USA

IF TAX EXEMPT, PLEASE PROVIDE COPY OF EXEMPTION OR DIRECT PAYMENT CERTIFICATE



IRCON, INC.
7300 North Natchez Avenue
Niles, Illinois 60714 USA

Telephone 847-967-5151
Toll Free 800-323-7660
Fax 847-647-0948

ISO 9001/05 9000 TE
Quality Systems Certified

Modified Standard Product Data Form

A modified standard product is a product that is based on a standard product found in the most recent price list. The modifications maybe items such as; temperature ranges, output types, resolution, response time and optical issues. A modified standard product form is to be completed and submitted to Steve Schumm and Gene Kalley for review and approval based on the modification (which we have done before). If the modification has not been done before, the approval will require the entire senior management team's approval BEFORE QUOTING. A modified standard product if approved; this product will become a price listed standard product. We can then pay commission as outlined in our most recent contract.

- Standard Product is a Model Number: DNE31-13C
- Standard Product List Price: \$ 1120
- The product change requested would be: Redo R729, 4507050C
D/50 + Cable Buckle *Sales will attach specifics to this form.*
- The market is willing to pay: \$1630 for this product (total including standard price).
- What is engineering's expected time investment and cost: 1 hour Man Days
\$ 100⁰⁰
- What is production's expected purchasing and production time requirement: Days
- This new product has potential in the following application and estimated potential per year would be per year.

➤ This product will be not be quoted and produced as previously outlined.

➤ Agreed on this date of By production/purchasing
By engineering A-D. 10/1/07
W.O. # 25297

➤ Sales can now quote this project for \$ per unit.
 lead time.

 Add to standard product list in literature (Maxine)
 Add to price list (Vern)
cc/ Greg P, Paul V, Regional Sales Staff Globally

W-O-# 25297

Number :DN-HO#36020 - IRCON INFRARAIL IRT SO-LI: 95006*1

Level	Part Number	Description	Quantity	UM	Alt	MB X	ECO No.	ECO Date	Start Use	End Use
1	DN1DNE	DN PRICES	1.0000	EA		M P				
1	OK C11201-R713	SENSING HEAD FINAL ASSY	1.0000	EA		M P				
2	451323	FIELD STOP .044DIA	1.0000	EA		B	3709	05-17-1996		
2	C11201/01	SEE EXTENDED DESCRIPTION	0.0000	EA		M				
2	990300005	RETAINING RING 7/16 OD,.2	1.0000	EA		B	3709	05-17-1996		
2	431442	DET. LOCATOR MOD2	1.0000	EA		B	3709	05-17-1996		
2	C11209-R707	SH DETECTOR ASSEMBLY E HD	1.0000	EA		M P	3709	05-17-1996		
3	LR721-D	DET ASSY FOR SPL# R721	1.0000	EA		M P	3770	08-21-1996		
4	LR721-D/01	SEE EXTENDED DESCRIPTION	0.0000	EA		M P				
4	431432	DET. HOLDER MR20 SERIES	1.0000	EA		B				
4	640552	FILTER, BANDPASS	1.0000	EA		B				
4	590942	DETECTOR InGaAs 1.6u	1.0000	EA		B				
4	LR721-D/02	SEE EXTENDED DESCRIPTION	0.0000	EA		M P				
4	560372	CABLE PVC 1 COND SHIELD 2	3.0000	IN		B				
4	312430100	WIRE 24AWG BARE SOLID	1.0000	IN		B				
4	430292	CONN. GASKET 2000 SERIES	1.0000	EA		B				
4	575892	CONN. CIRC 3 RECPT 10SL-3	1.0000	EA		B				
4	490042	SPRING DETECTOR RETAINER	1.0000	EA		B				
4	630092	FOLDING MIRROR SH MROA SE	1.0000	EA		B				
4	490032	SPRING FOLDING MIRROR MOD	1.0000	EA		B				
4	200204130	SCREW #2-56 X 1/8 PH SLOT	1.0000	EA		B				
4	990100016	EPOXY HARDMAN #4001 3-5 M	1.0000	EA		B				
4	3214G00X0	TUBING #14 PVC CLEAR	1.0000	IN		B				
2	447352	SENSOR, E-HEAD	1.0000	EA		B	3709	05-17-1996		
2	610432	EYE LENS FOR A HEAD	1.0000	EA		B	3709	05-17-1996		
2	990100002	EPOXY HARDMAN #4005 GEN P	1.0000	EA		B	3709	05-17-1996		
2	447372	FIELD STOP, .312 DIA	1.0000	EA		B	3709	05-17-1996		
2	447382	FIELD STOP, .437 DIA	1.0000	EA		B	3709	05-17-1996		
2	610402	LENS PLANO CONVEX 30" F/L	1.0000	EA		B	3709	05-17-1996		
2	431752	O RING 13/16 X 1/16 TH 70	1.0000	EA		B	3709	05-17-1996		
2	447362	LENS RING E-HEAD SENSOR	1.0000	EA		B	3709	05-17-1996		
2	200412440	SCREW #4-40 X 3/8 FIL SLO	4.0000	EA		B	3709	05-17-1996		
2	220403200	WASHER #4 LOCK SPLIT RING	4.0000	EA		B	3709	05-17-1996		
2	454152	SCREW, ADJUSTMENT,	1.0000	EA		B	3709	05-17-1996		
2	433372	O RING 3/32 X 7/32 X 1/16	1.0000	EA		B	3709	05-17-1996		
2	220602200	WASHER #6 LOCK EXT TOOTH	1.0000	EA		B	3709	05-17-1996		
2	200606040	SCREW #6-32 X 3/16 PH SLO	1.0000	EA		B	3709	05-17-1996		
2	C11201/02	SEE EXTENDED DESCRIPTION	0.0000	EA		M				
2	443502	RETAINING NUT	1.0000	EA		B	3709	05-17-1996		
2	477142	LABEL, SERIAL NUMBER, SEN	1.0000	EA		B	3709	05-17-1996		
2	474772	LABEL GROUND WARNING	1.0000	EA		B	3709	05-17-1996		
2	T-C11201-1	DETERMINE IF CABLE IS REQ	0.0000	EA		B	3709	05-17-1996		
2	C11201/03	SEE EXTENDED DESCRIPTION	0.0000	EA		M				
2	999900013	CAP PLUG #SC-1-1/4	1.0000	EA		B	3709	05-17-1996		
2	990100028	SEALANT RTV SILICONE BLAC	1.0000	EA		B	3709	05-17-1996		
2	999900014	STEM BUMPER 3/8OD .275T	1.0000	EA		B	3709	05-17-1996		

R729 (Sensor Only)