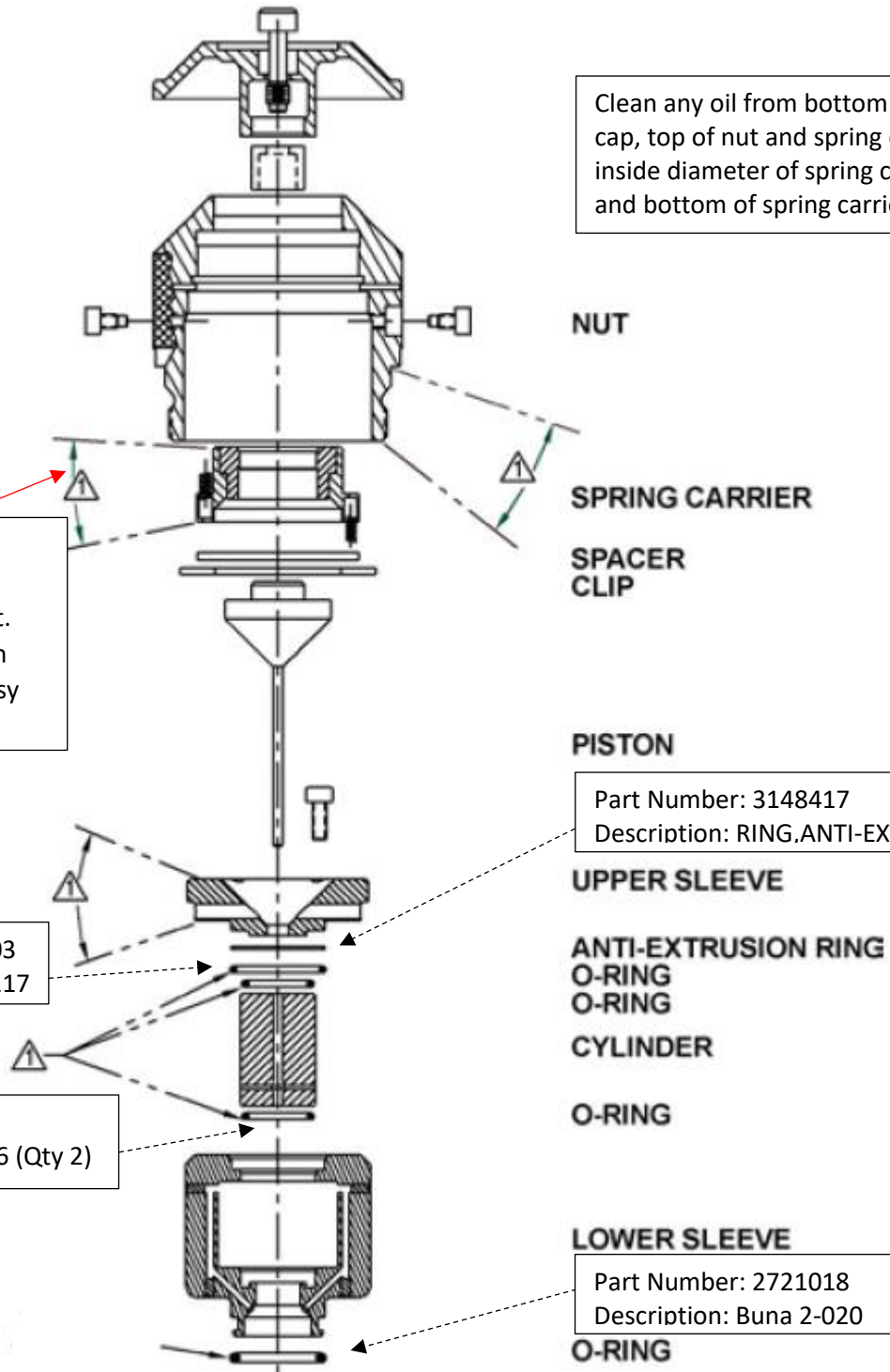


**Clean and grease PC-7200-500 or PC-7200-1 or PC7200-2
Piston-Cylinder Modules
Also refer to PG7000 Manual**

2MPa MODULE SHOWN,
LUBRICATE 1MPa AND 500kPa MODULE AT SAME LOCATIONS



Clean any oil from bottom of piston cap, top of nut and spring carrier, inside diameter of spring carrier, and bottom of spring carrier.

Ignore this part as it's the spring carrier that is not recommended to take out. There are lots of springs in there and they are not easy to put together again.

Part Number: 3148417
Description: RING,ANTI-EXTR.OD=25MM

Part Number: 2644003
Description: Buna 2-117

Part Number: 3134158
Description: Buna 2-016 (Qty 2)

Part Number: 2721018
Description: Buna 2-020