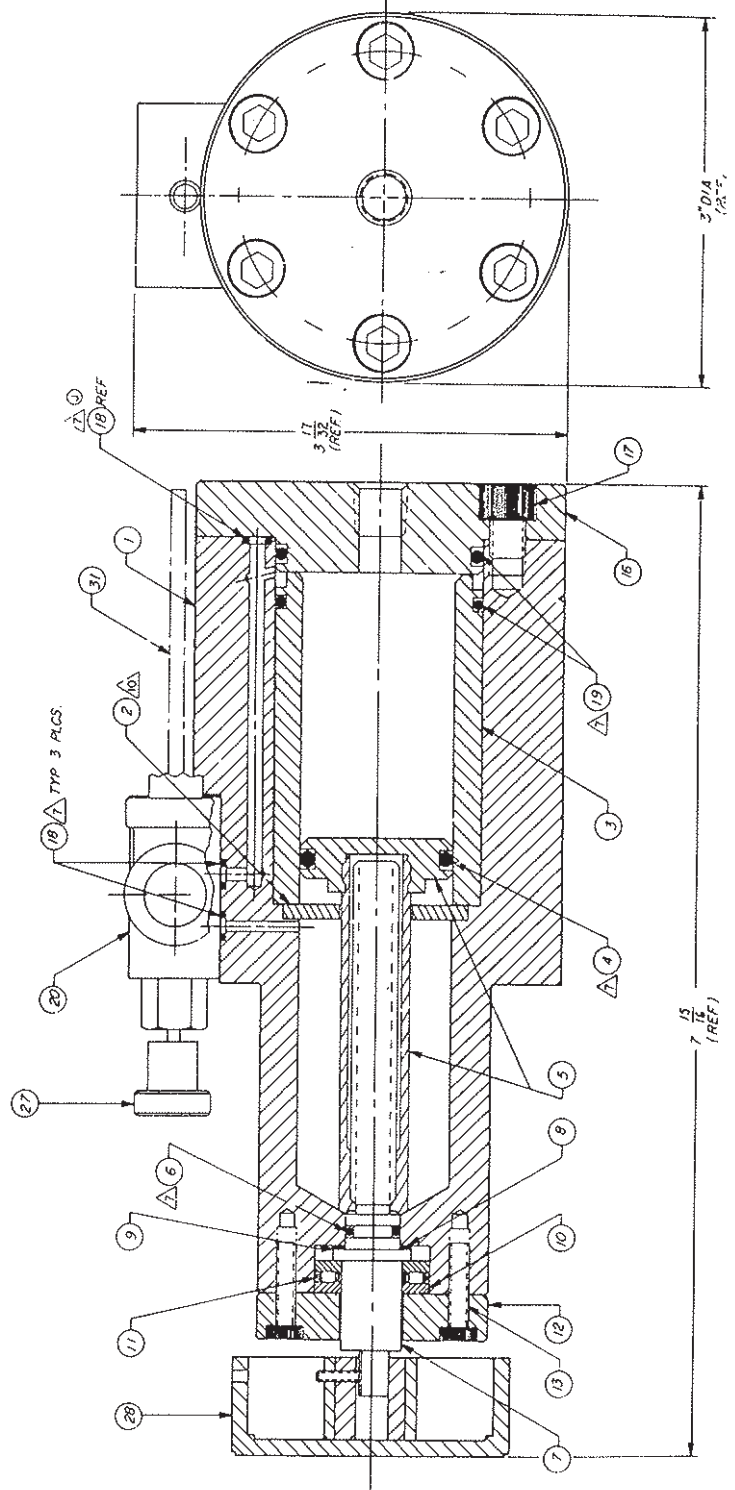
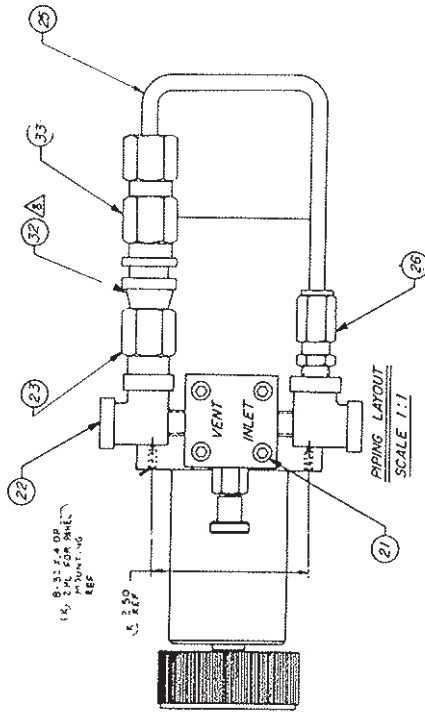


NOTES

- ① REMOVED
- ② REMOVED
- ③ REMOVED
- ④ REMOVED
- ⑤ REMOVED
- ⑥ REMOVED
- ⑦ USE OIL-LUBE MIXTURE & SPECIAL MOLY ON O-RINGS
- ⑧ SET TO RELIEVE BETWEEN 110 & 140 PSI
- ⑨ FIT TO REMOVE END PLAY STAKE IN 3 PLACES
- ⑩ TEST PER PER 244
- ⑪ REMOVED
- ⑫ REMOVED



QTY	DESCRIPTION	REF. PART NUMBER	MATERIAL
1	CONNECTOR, FEMALE	25-16	
1	VALVE, RELIEF	88-751	
1	TOOL, VALVE ADJG	3891-1-10	DMG SIZE A
1	DRY LUBE	45-325	
1	REMOVED		
1	KNOB	39-55	
1	KNOB	3891-1-9	
1	CONNECTOR, MALE	25-021	
1	TUBING	86-833	
1	REMOVED		
1	ADAPTER, RED.	29-105	
2	TEE STREET	25-126	
1	SCREW	70-MS-2100	HMS 8-32 X 1/2
1	VALVE ASSY	3891-1-0	
2	O-RING	54-704-128	
3	O-RING	54-704-6	
6	SCREW	70-200-2100	HMS 8/16-8X3/4
1	CAP END	3891-1-2	DMG SIZE B
1	SCREW	70-53-2101	HMS 10-24 X 1/2
1	CAP, FRONT END	3891-803-11	DMG SIZE A
1	BEARING	5-125	
2	BEARING	5-187	
1	SPACER, LAMINATED	75-219	
1	BUSHING	3891-1-4	DMG SIZE A
1	SPINDLE	3891-3-1	DMG SIZE B
1	O-RING	54-704-11	
1	PISTON	3891-3-5	DMG SIZE B
1	O-RING	54-704-214	
1	REDUCING SLEEVE	3891-3-4	DMG SIZE B
1	WASHER, ANTIROTATION	3891-1-3	DMG SIZE B
1	BODY	3891-1-1	DMG SIZE B

PRECISE PRESSURE CONTROLLER  
3000 PSI

3893-601